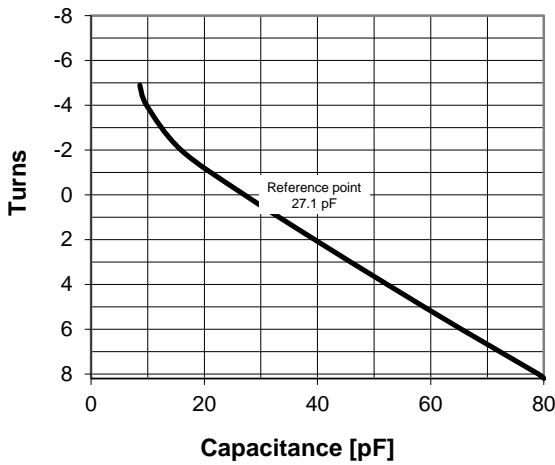
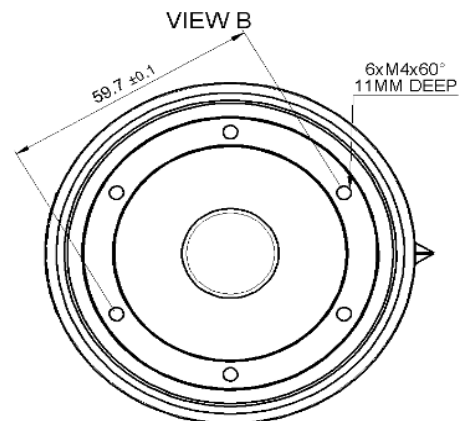
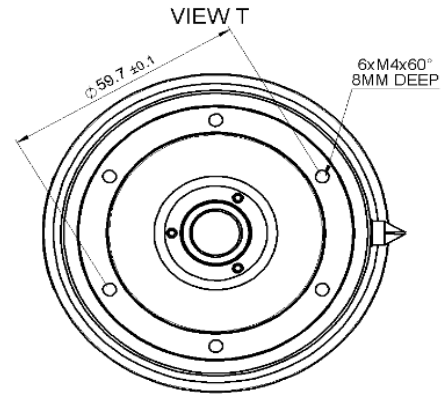
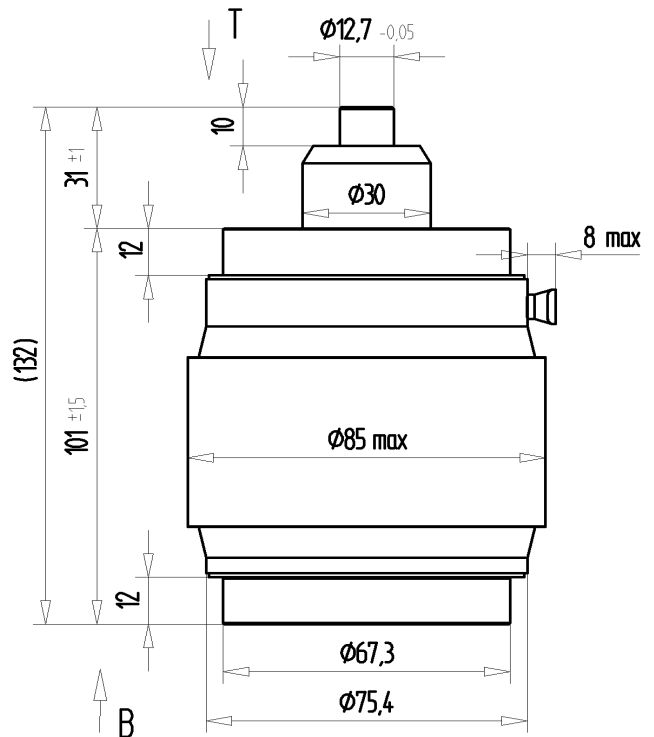
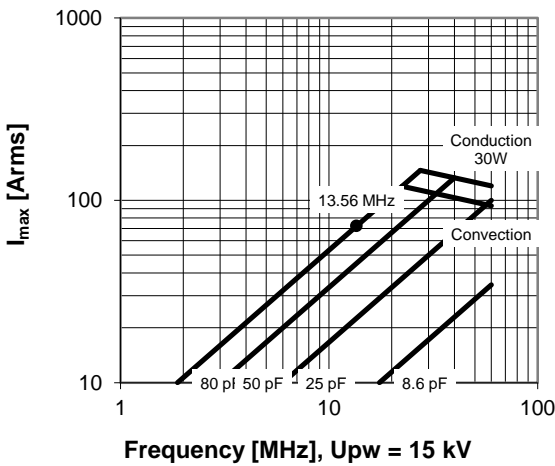


## CVHE-80AC/25-AAAD-A1

Specifications	
Capacity $C_{max}$ (nominal)	80 pF
Capacity $C_{min}$ (nominal)	8.6 pF
Voltage (Peak Test $U_{pt}$ / Peak Working $U_{pw}$ )	25 kV / 15 kV
Capacity Tolerance (linear Range)	10%
Max. Current $I_{max}$ at 13.56 MHz with	72 Arms
Conduction Cooling	30 W
Self Inductance	$\leq 5$ nH
Capacitance per turn	6.5 pF/turn
Torque	$\leq 0.4$ Nm
Net Weight	1.4 kg



$I_{max}$  at 25°C ambient and 125°C surface temp. for convection and conduction (30 W) cooling



Subject to change without prior notice

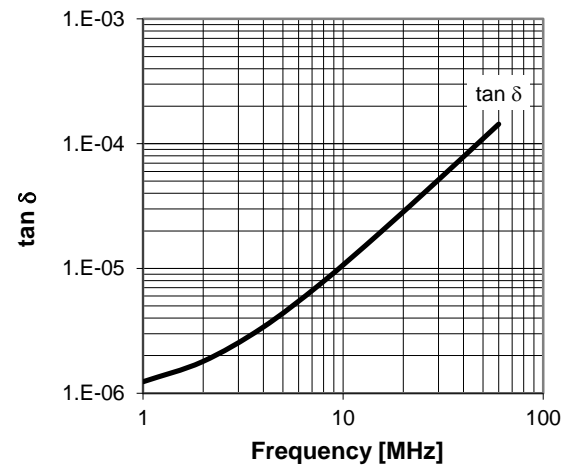
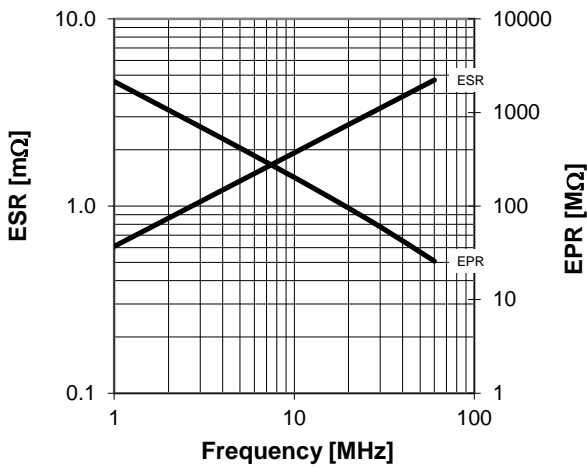
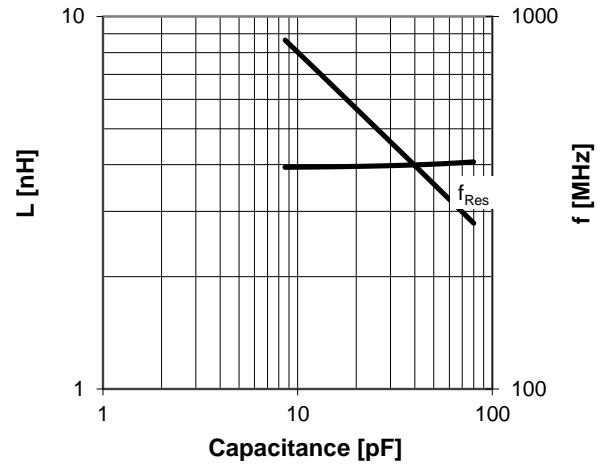
Note: Technical information in Service Bulletin SB-52 must be considered

## CVHE-80AC/25-AAAD-A1

Turns	Nominal Capacitance [pF]	Tolerance
-4.9	8.6	10%
-4.0	9.8	10%
-2.0	15.9	10%
0.0	27.1	0%
2.0	39.5	10%
4.0	52.3	10%
6.0	65.4	10%
8.0	79.0	10%
8.2	80.0	10%

Slamindex at  $8.6 \pm 0.5$  pF at  $-4.9 \pm 0.5$  turns  
Mechanical stop at  $> 80$  pF at  $\sim 8.7$  turns

Self inductance and resonance frequency



**Special Features:**

Slam Index, RoHS Compliant

Subject to change without prior notice

Note: Technical information in Service Bulletin  
SB-52 must be considered