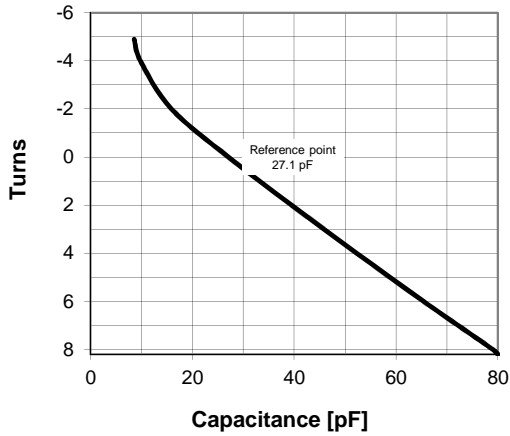
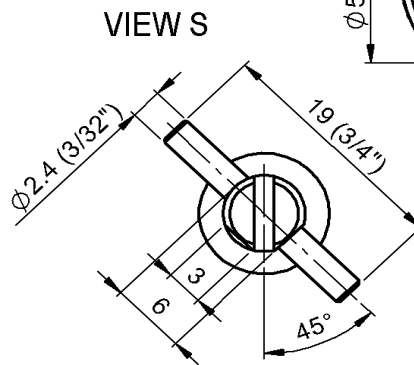
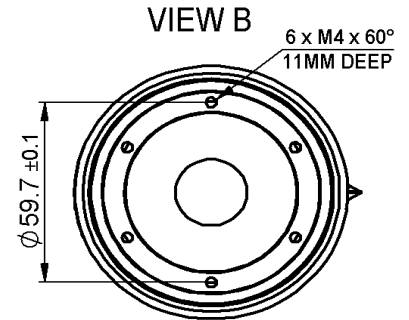
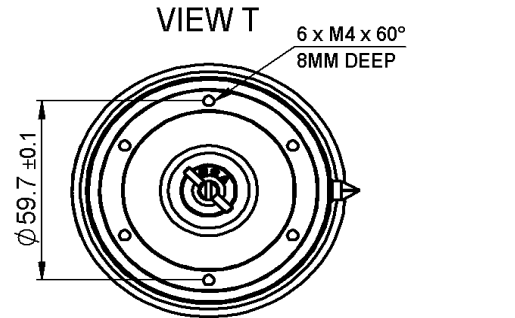
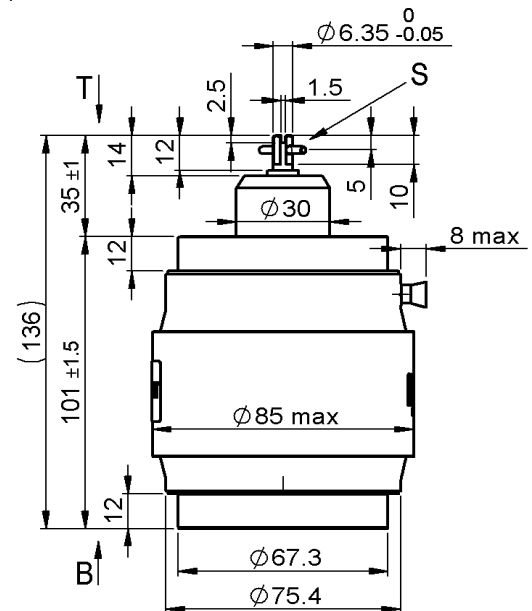
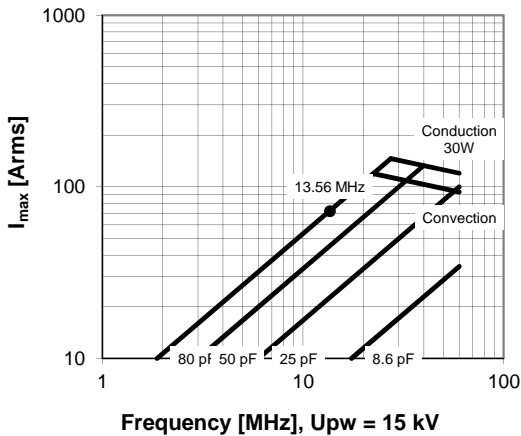


CVHE-80AC/25-BUAA

Specifications	
Capacitance C_{max} (nominal)	80 pF
Capacitance C_{min} (nominal)	8.6 pF
Voltage (Peak Test U_{pt} / Peak Working U_{pw})	25 kV / 15 kV
Capacitance Tolerance (linear Range)	10%
Max. Current I_{max} at 13.56 MHz with	72 Arms
Conduction Cooling	30 W
Self Inductance	≤ 5 nH
Capacitance per turn	6.5 pF/turn
Torque	≤ 0.4 Nm
Net Weight	1.4 kg



I_{max} at 25°C ambient and 125°C surface temp. for convection and conduction (30 W) cooling



Subject to change without prior notice

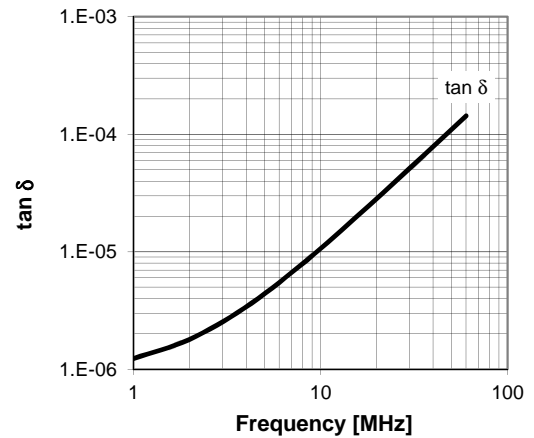
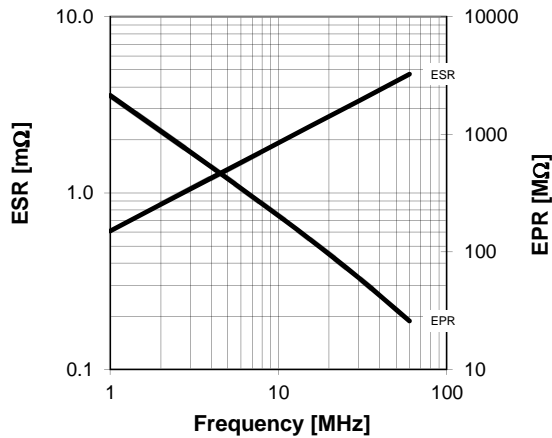
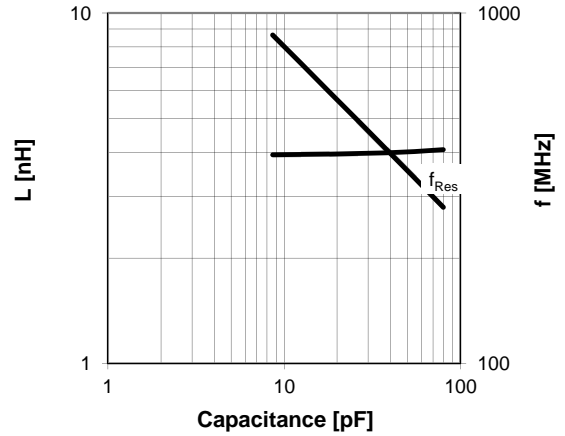
Note: Technical information in Service Bulletin
SB-52 must be considered

CVHE-80AC/25-BUAA

Turns	Nominal Capacitance [pF]	Tolerance
-4.9	8.6	10%
-4.0	9.8	10%
-2.0	15.9	10%
0.0	27.1	0%
2.0	39.5	10%
4.0	52.3	10%
6.0	65.4	10%
8.0	79.0	10%
8.2	80.0	10%

Mechanical stop at < 8.6 pF at ~ -8.2 turns
Mechanical stop at > 80 pF at ~ 8.7 turns

Self inductance and resonance frequency



Subject to change without prior notice

Note: Technical information in Service Bulletin
SB-52 must be considered