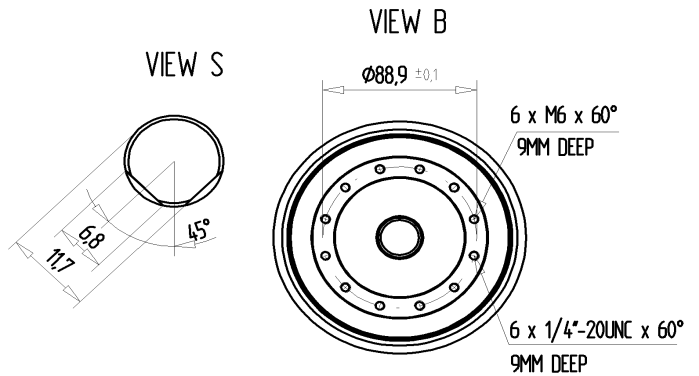
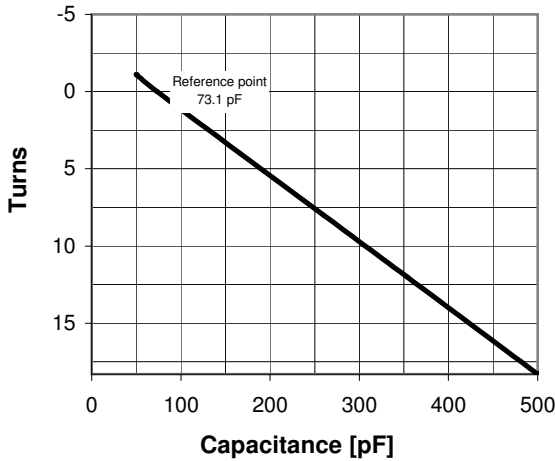
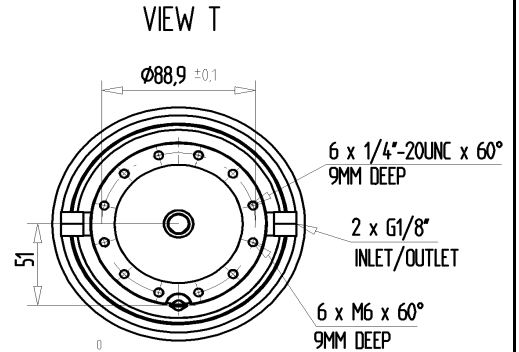


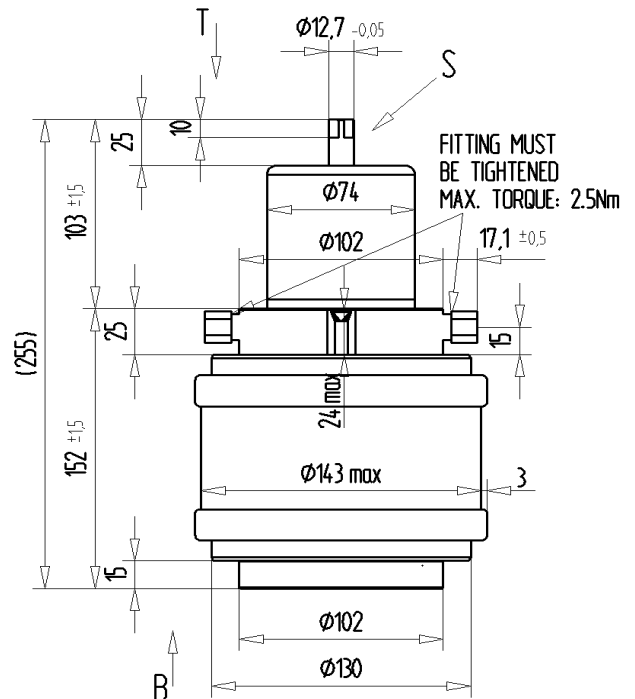
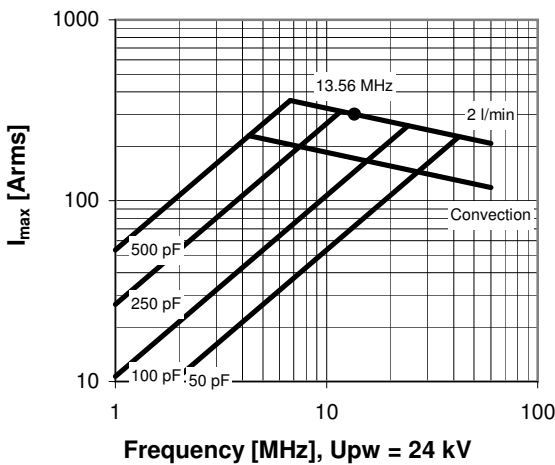
## CVHI-500AW/40-ADUD

### Specifications

Capacity $C_{max}$ (nominal)	500 pF
Capacity $C_{min}$ (nominal)	50 pF
Voltage (Peak Test $U_{pt}$ / Peak Working $U_{pw}$ )	40 kV / 24 kV
Capacity Tolerance (linear Range)	10%
Max. Current $I_{max}$ at 13.56 MHz with	300 Arms
Water Cooling	2 l/min
Self Inductance	$\leq 15$ nH
Capacitance per turn	23.3 pF/turn
Torque	$\leq 0.8$ Nm
Net Weight	6.5 kg



$I_{max}$  for 2 l/min water cooling; max. water temp. at inlet: 70°C;  
fixed end has to be cooled with min. 50 W



## CVHI-500AW/40-ADUD

Turns	Nominal Capacitance [pF]	Tolerance
-1.1	50.0	10%
0.0	73.1	0%
4.0	166.1	10%
8.0	259.9	10%
12.0	353.7	10%
18.3	500.0	10%

Mechanical stop at < 50 pF at ~ -2.7 turns  
Mechanical stop at > 500 pF at ~ 18.5 turns

Self inductance and resonance frequency

