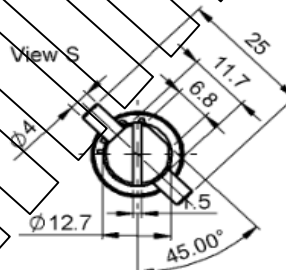
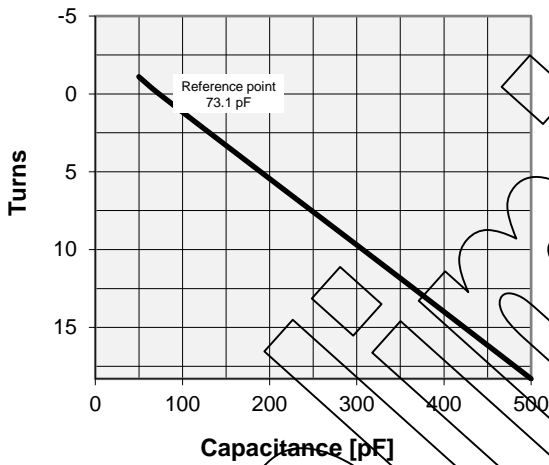
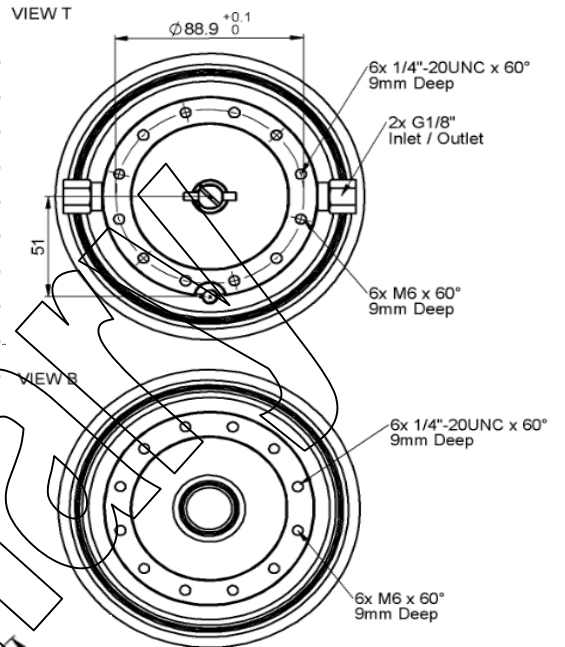


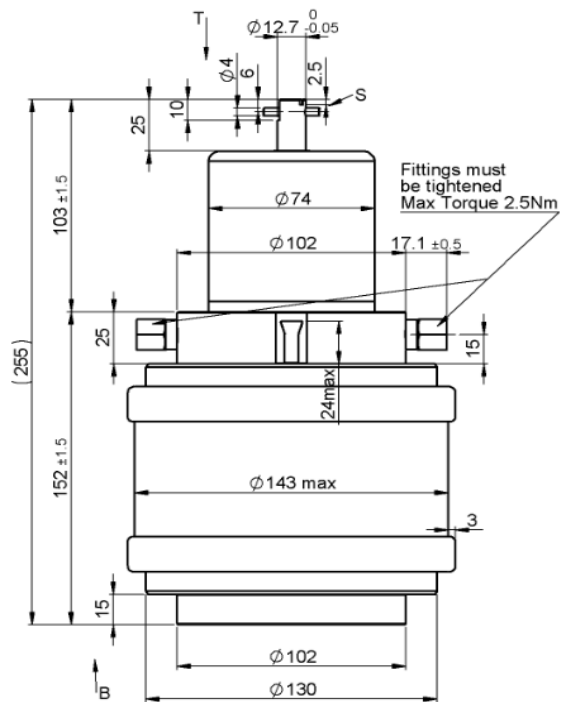
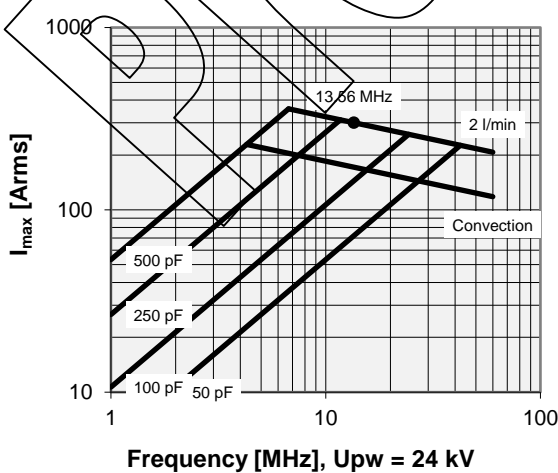
# CVHI-500AW/40-AUUD

## Specifications

|   |               |
|---|---------------|
| Capacitance $C_{max}$ (nominal)                       | 500 pF        |
| Capacitance $C_{min}$ (nominal)                       | 50 pF         |
| Voltage (Peak Test $U_{pt}$ / Peak Working $U_{pw}$ ) | 40 kV / 24 kV |
| Capacitance Tolerance (linear Range)                  | 10%           |
| Max. Current $I_{max}$ at 13.56 MHz with              | 300 Arms      |
| Water Cooling   | 2 l/min       |
| Self Inductance                                       | $\leq 15$ nH  |
| Capacitance per turn                                  | 23.3 pF/turn  |
| Torque  | $\leq 0.8$ Nm |
| Net Weight  | 6.5 kg        |



$I_{max}$  for 2 l/min water cooling; max. water temp. at inlet: 70°C; fixed end has to be cooled with min. 50 W



Note:  
 Technical information in Service Bulletin  
 SB-52 must be considered  
 Subject to change without prior notice

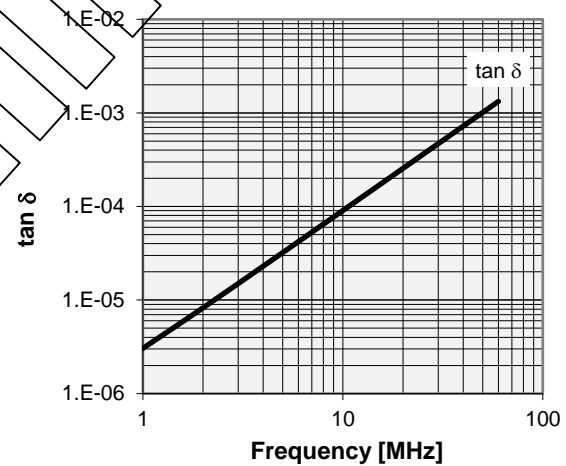
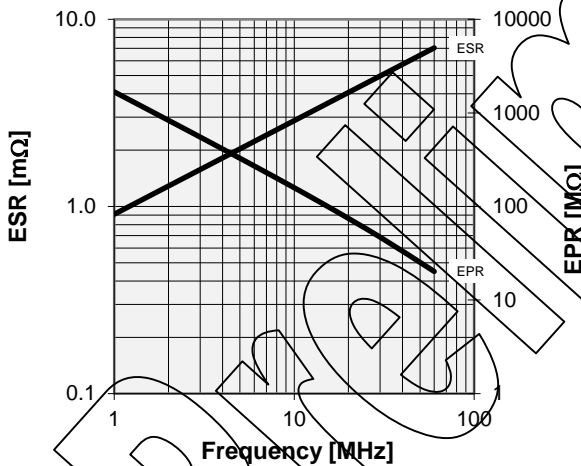
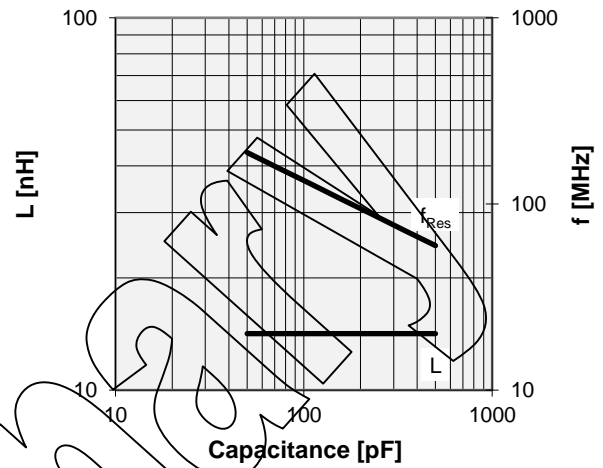
Issue: 11-Jul-2017  
 Replaces: 28-Jun-2017

# CVHI-500AW/40-AUUD

| Turns | Nominal Capacitance [pF] | Tolerance |
|-------|--------------------------|-----------|
| -1.1  | 50.0                     | 10%       |
| 0.0   | 73.1                     | 0%        |
| 4.0   | 166.1                    | 10%       |
| 8.0   | 259.9                    | 10%       |
| 12.0  | 353.7                    | 10%       |
| 18.3  | 500.0                    | 10%       |

Mechanical stop at < 50 pF at ~ -2.7 turns  
 Mechanical stop at > 500 pF at ~ 18.5 turns

Self inductance and resonance frequency



|                          |
|--------------------------|
| <b>Special Features:</b> |
| RoHS Compliant           |

|                 |       |
|-----------------|-------|
| <b>Approved</b> |       |
| <b>By:</b>      | _____ |
| <b>Date:</b>    | _____ |
| <b>Company:</b> | _____ |

Note:  
 Technical information in Service Bulletin  
 SB-52 must be considered  
 Subject to change without prior notice