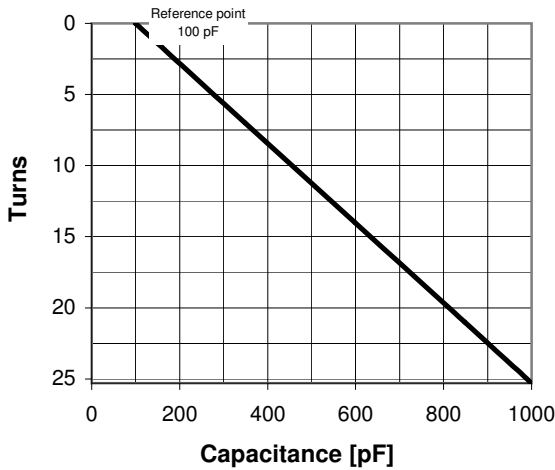


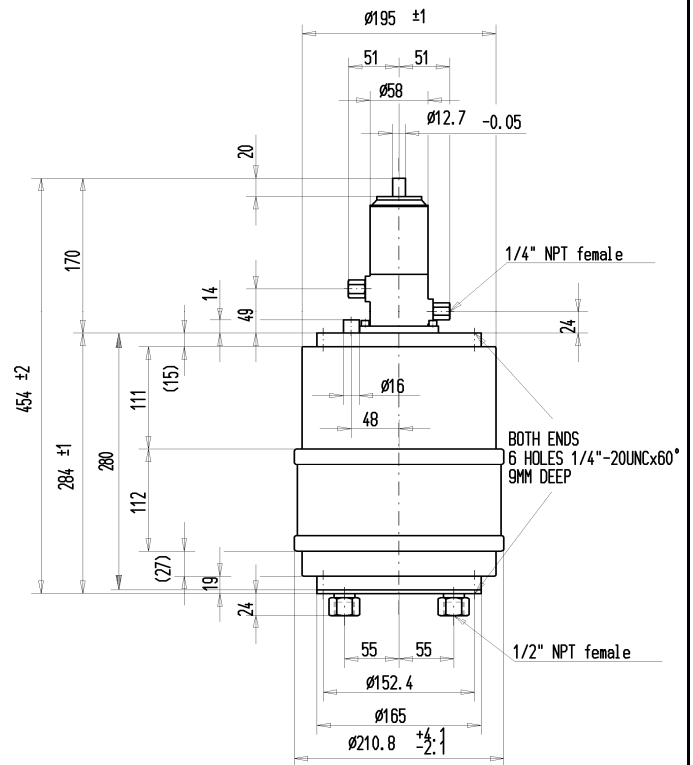
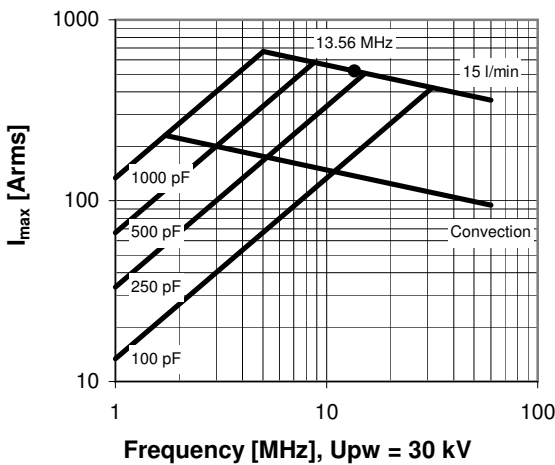
CVLA-1000BW/50-AAE-RV1

Old Type Designation: CV3W-1000H

| Specifications | |
|---|---------------|
| Capacity C_{max} (nominal) | 1000 pF |
| Capacity C_{min} (nominal) | 100 pF |
| Voltage (Peak Test U_{pt} / Peak Working U_{pw}) | 50 kV / 30 kV |
| Capacity Tolerance (linear Range) | 10% |
| Max. Current I_{max} at 13.56 MHz with | 521 Arms |
| Water Cooling | 15 l/min |
| Self Inductance | ≤ 39 nH |
| Capacitance per turn | 35.6 pF/turn |
| Torque | ≤ 1.5 Nm |
| Net Weight | 18 kg |



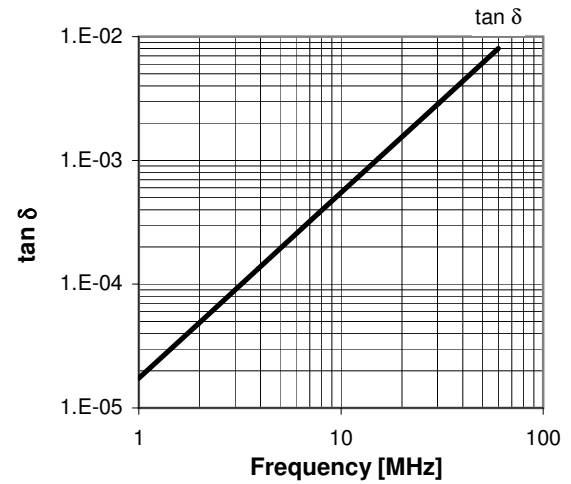
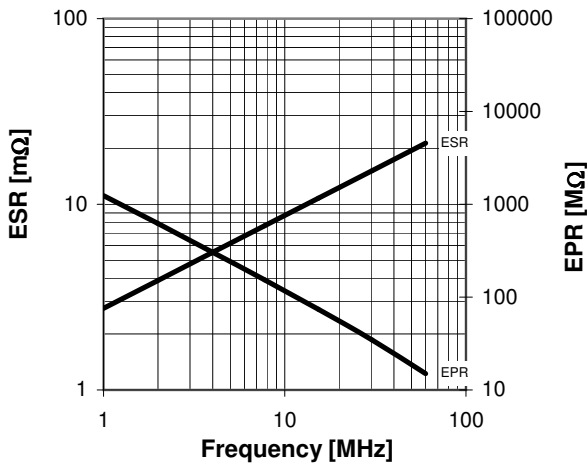
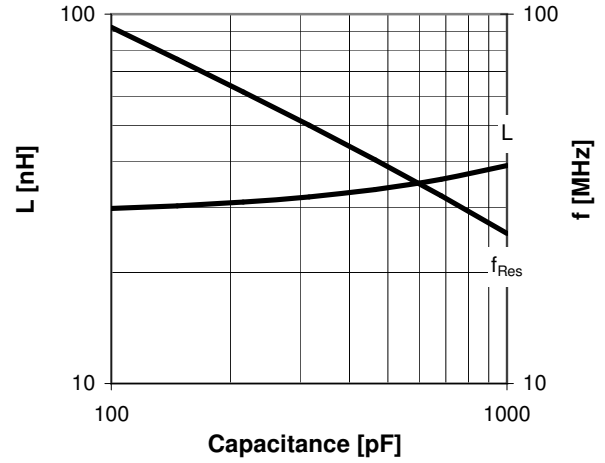
I_{max} for 15 l/min water cooling; max. water temp. at inlet: 70°C;
fixed end has to be water cooled with min. 4 l/min



| Turns | Nominal Capacitance [pF] | Tolerance |
|-------|--------------------------|-----------|
| 0.0 | 100.0 | 0% |
| 7.0 | 348.3 | 10% |
| 14.0 | 598.1 | 10% |
| 21.0 | 847.8 | 10% |
| 25.3 | 1000.0 | 10% |

Mechanical stop at < 100 pF at ~ -1.1 turns
Mechanical stop at > 1000 pF at ~ 25.5 turns

Self inductance and resonance frequency



Special Features:

Cooling Plate included, Special Water-Fitting