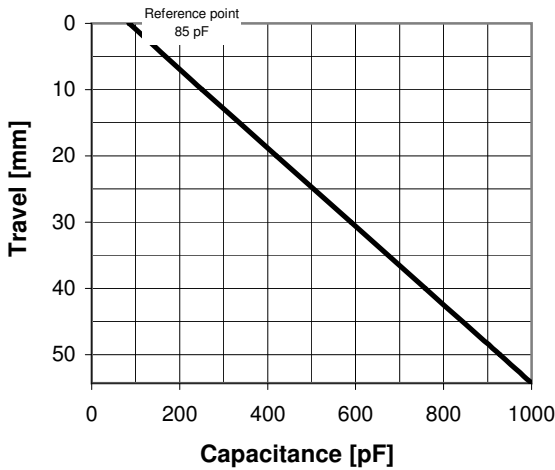
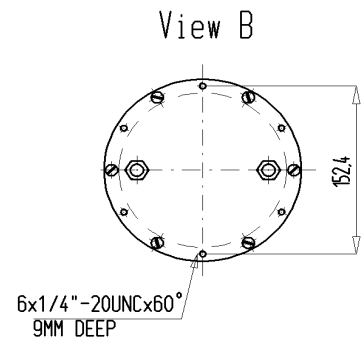
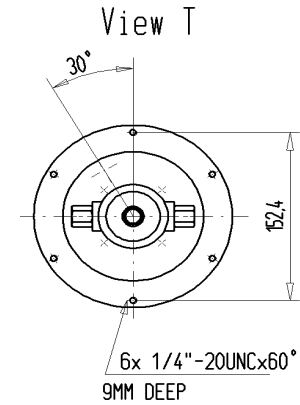


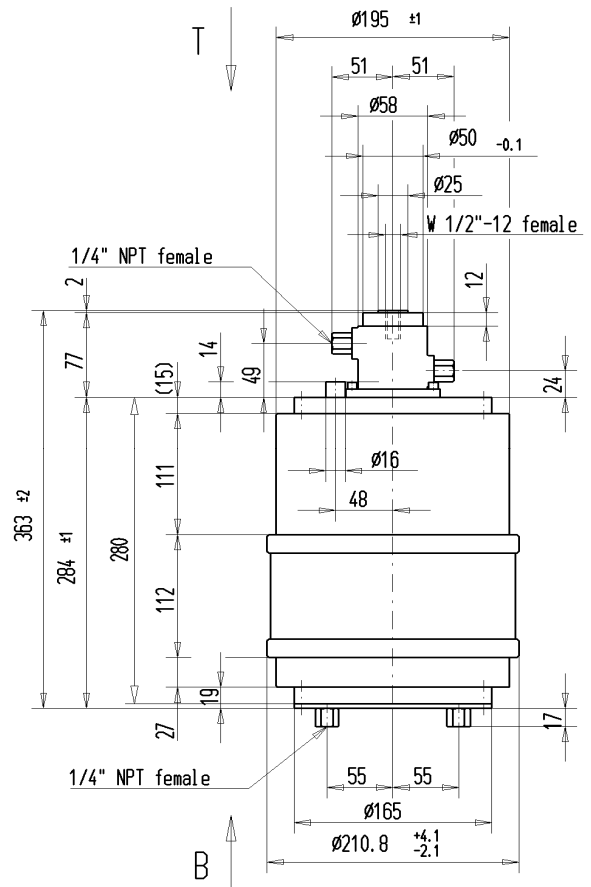
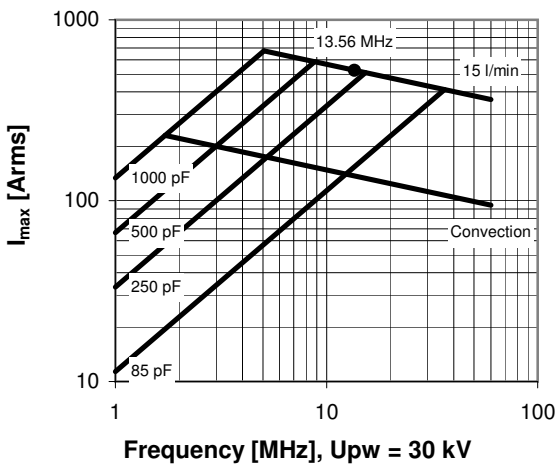
CVLA-1000BW/50-ZJP-R

Old Type Designation: CV3W-1000K

Specifications	
Capacity C_{max} (nominal)	1000 pF
Capacity C_{min} (nominal)	85 pF
Voltage (Peak Test U_{pt} / Peak Working U_{pw})	50 kV / 30 kV
Capacity Tolerance (linear Range)	10%
Max. Current I_{max} at 13.56 MHz with	525 Arms
Water Cooling	15 l/min
Self Inductance	≤ 39 nH
Capacitance per mm	16.9 pF/mm
Pull Force	≤ 700 N
Net Weight	18 kg



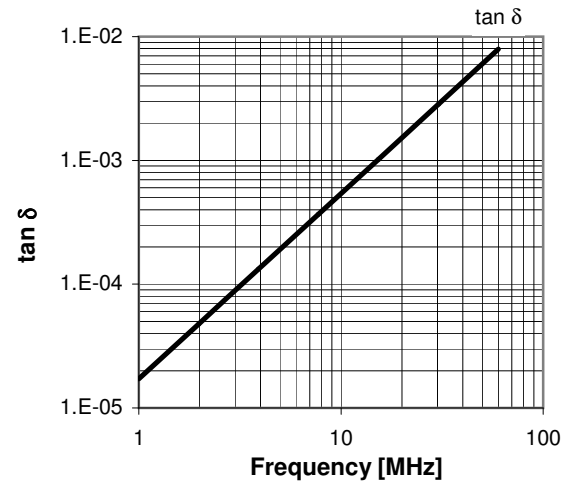
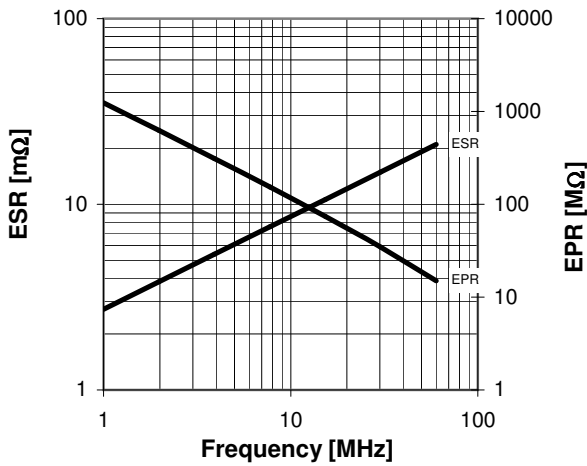
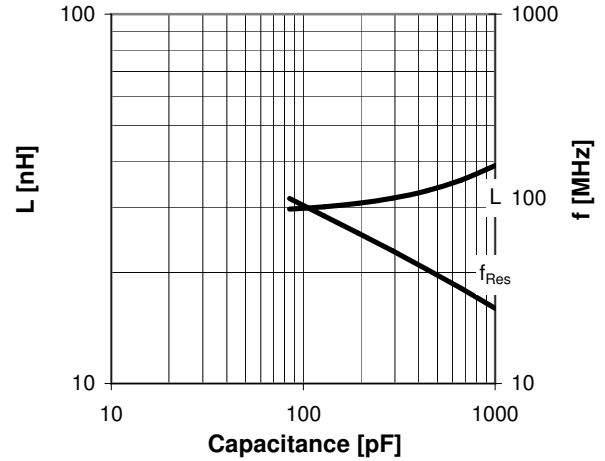
I_{max} for 15 l/min water cooling; max. water temp. at inlet: 70°C;
fixed end has to be water cooled with min. 8 l/min



Travel [mm]	Nominal Capacitance [pF]	Tolerance
0.0	85.0	0%
10.0	250.8	10%
20.0	420.1	10%
30.0	589.4	10%
40.0	758.7	10%
50.0	928.0	10%
54.3	1000.0	10%

Mechanical stop at < 85 pF at ~ -4.8 mm
 Mechanical stop at 1038 pF at ~ 56.6 mm
 No voltage allowed beyond 1000 pF

Self inductance and resonance frequency



Special Features:

Cooling Plate included