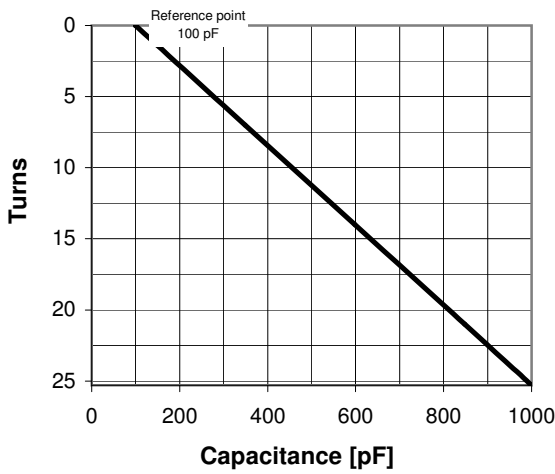
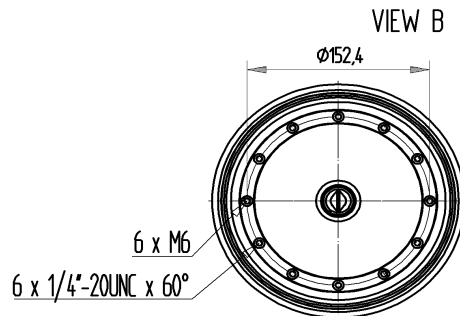
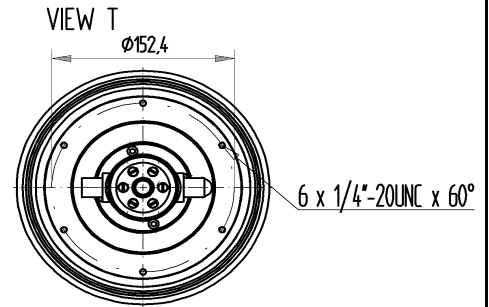


CVLA-1000DW/50-AAE-JN

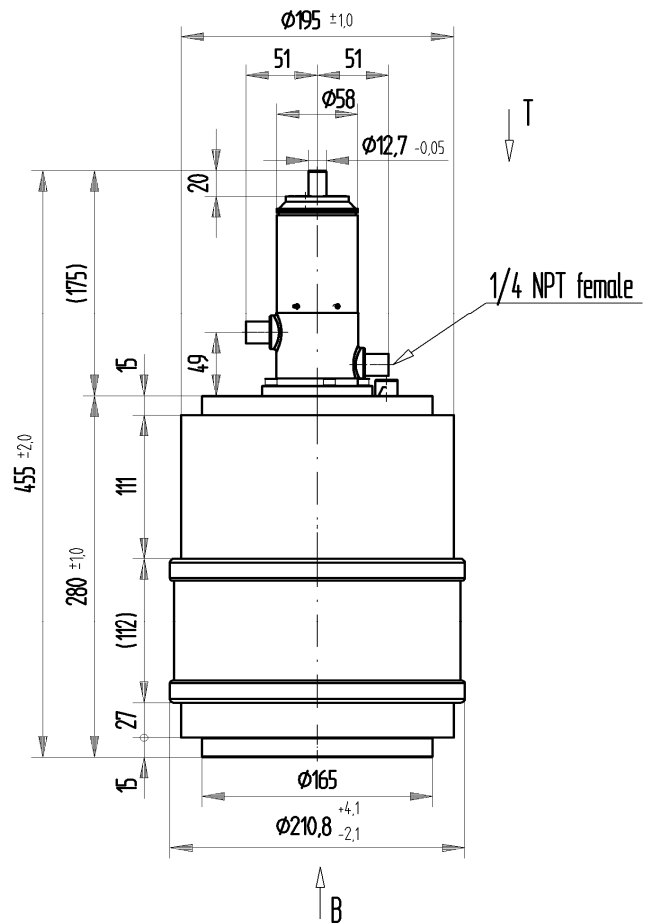
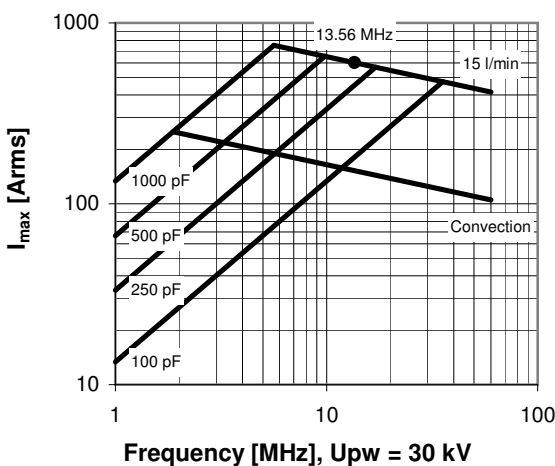
Old Type Designation: CV3W-1000HY

Specifications

Capacity C_{max} (nominal)	1000 pF
Capacity C_{min} (nominal)	100 pF
Voltage (Peak Test U_{pt} / Peak Working U_{pw})	50 kV / 30 kV
Capacity Tolerance (linear Range)	10%
Max. Current I_{max} at 13.56 MHz with	602 Arms
Water Cooling	15 l/min
Capacitance per turn	35.6 pF/turn
Torque	≤ 1.5 Nm
Net Weight	18 kg



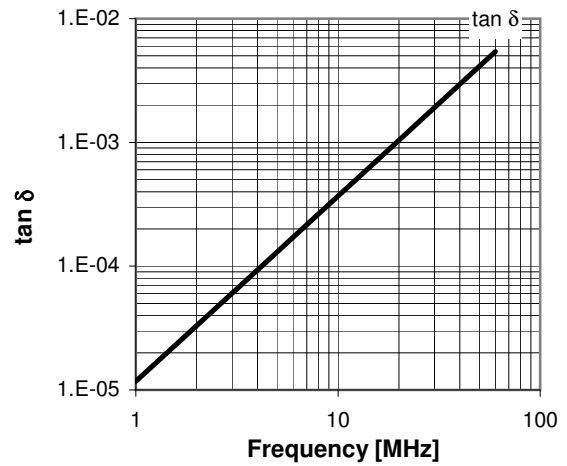
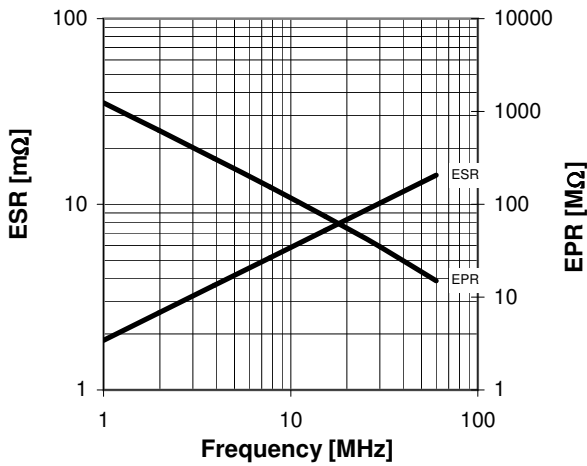
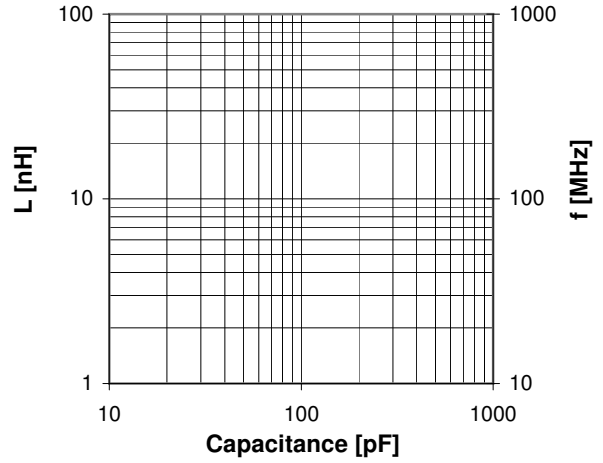
I_{max} for 15 l/min water cooling; max. water temp. at inlet: 70°C; fixed end has to be cooled with min. 50 W



Turns	Nominal Capacitance [pF]	Tolerance
0.0	100.0	0%
7.0	348.3	10%
14.0	598.1	10%
21.0	847.8	10%
25.3	1000.0	10%

Mechanical stop at < 100 pF at ~ -1.1 turns
Mechanical stop at > 1000 pF at ~ 25.5 turns
Min. 27 turns between mechanical stops

Self inductance and resonance frequency



Special Features:

Special Bellows, Turbulence Cooling

Type Ordering Information:

Type	Upt
CVLA-1000DW/50-AAE-JN	50 kV
CVLA-1000DW/45-AAE-JN	45 kV
CVLA-1000DW/40-AAE-JN	40 kV