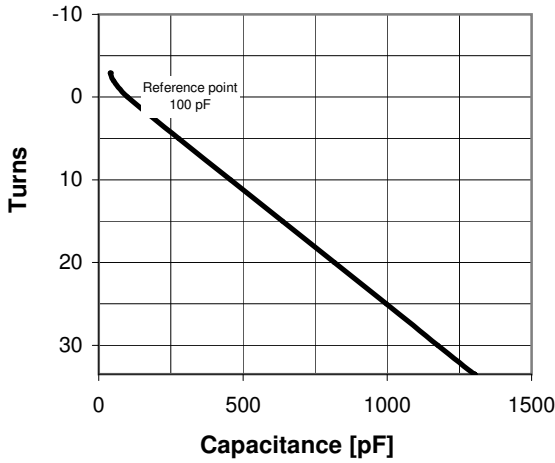


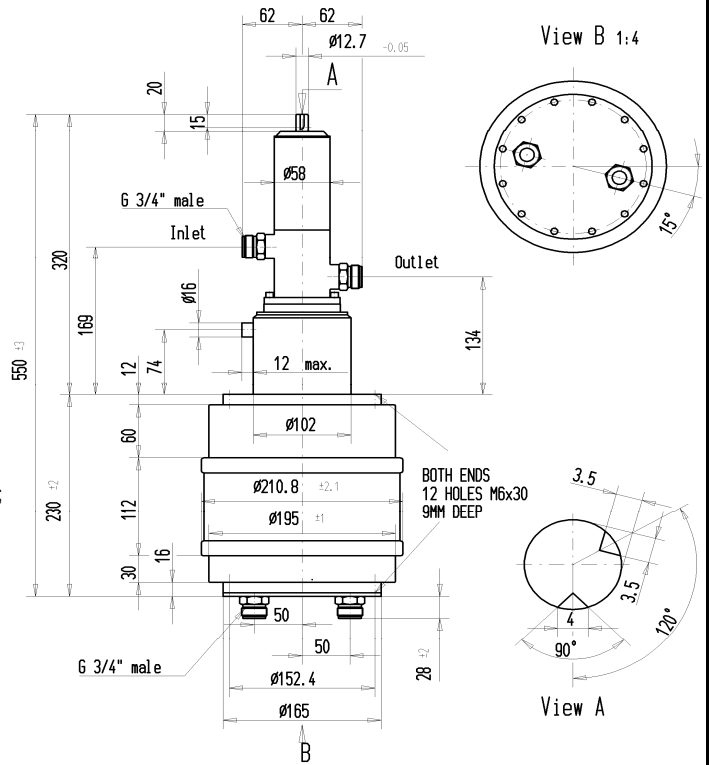
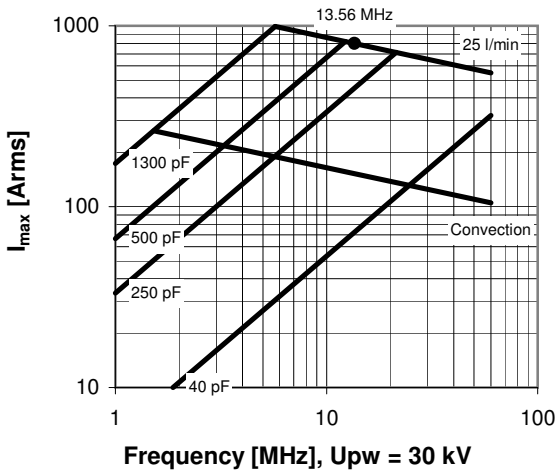
CVLA-1300AW/50-ABE-FNR

Old Type Designation: CV3W-1300FT

Specifications	
Capacity C_{max} (nominal)	1300 pF
Capacity C_{min} (nominal)	40 pF
Voltage (Peak Test U_{pt} / Peak Working U_{pw})	50 kV / 30 kV
Capacity Tolerance (linear Range)	3%
Max. Current I_{max} at 13.56 MHz with	797 Arms
Water Cooling	25 l/min
Self Inductance	≤ 34 nH
Capacitance per turn	35.8 pF/turn
Torque	≤ 1.5 Nm
Net Weight	21 kg



I_{max} for 25 l/min water cooling; max. water temp. at inlet: 70°C;
fixed end has to be water cooled with min. 25 l/min



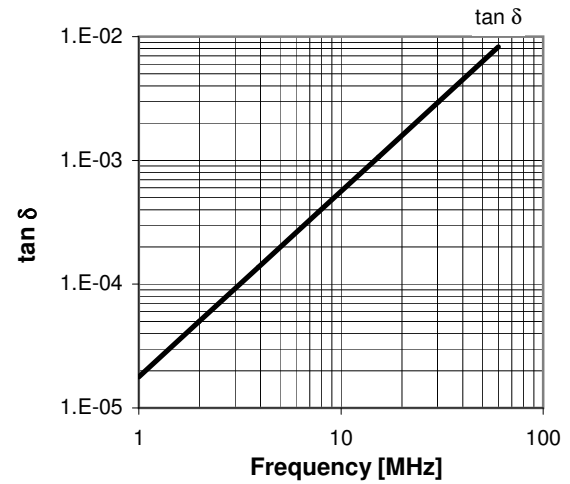
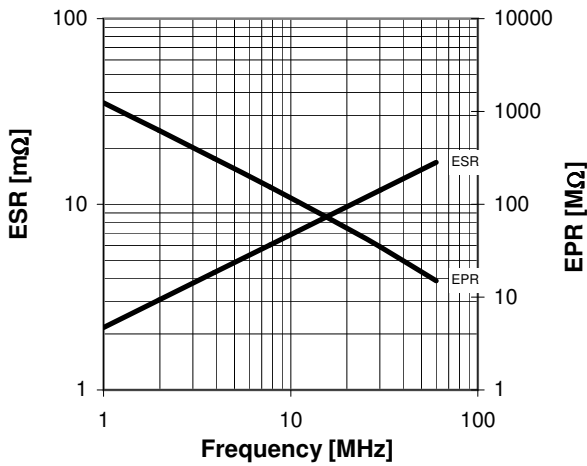
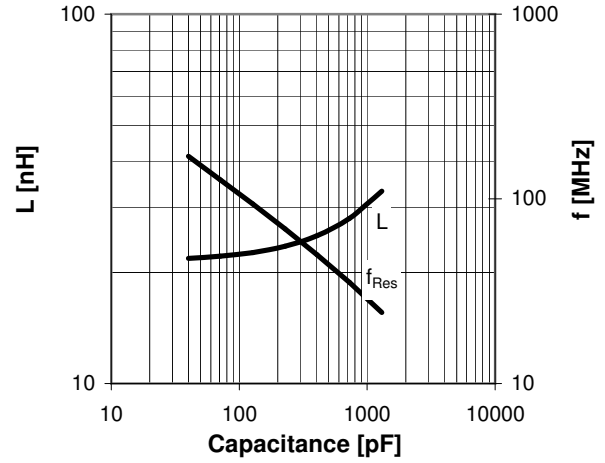
CVLA-1300AW/50-ABE-FNR

Old Type Designation: CV3W-1300FT

Turns	Nominal Capacitance [pF]	Tolerance
-2.9	40.0	3%
-2.0	50.8	3%
0.0	100.0	0%
5.0	277.6	3%
10.0	457.2	3%
15.0	636.7	3%
20.0	816.2	3%
25.0	995.8	3%
30.0	1175.3	3%
33.5	1300.0	3%

Mechanical stop at < 40 pF at ~ -4.1 turns
Mechanical stop at > 1300 pF at ~ 33.8 turns

Self inductance and resonance frequency



Special Features:

Capacity Tolerance 3%, Turbulence Cooling,
Cooling Plate included