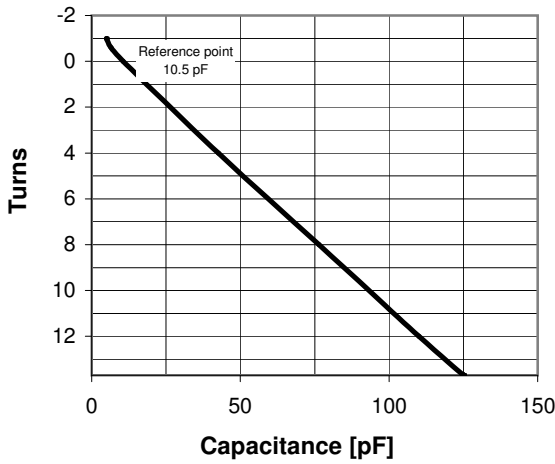


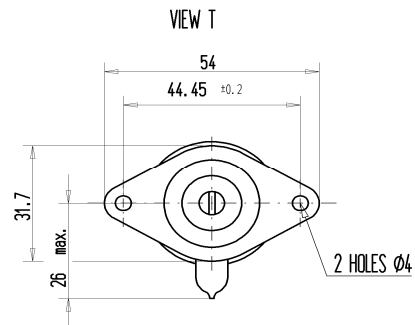
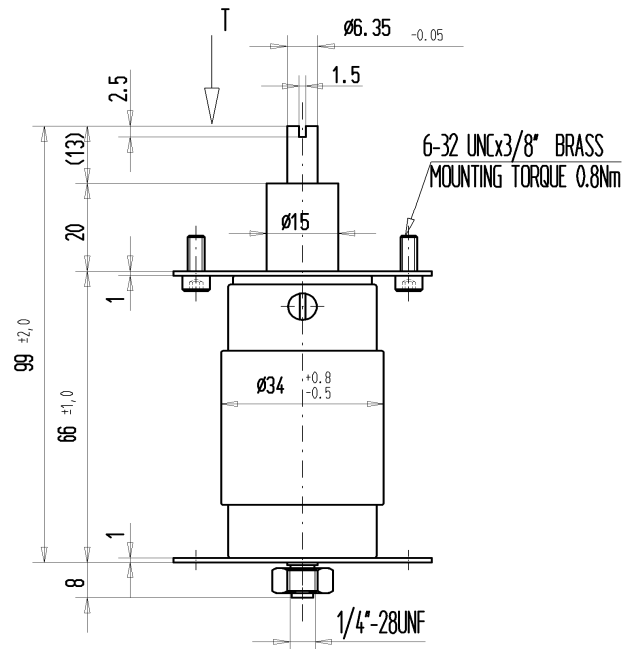
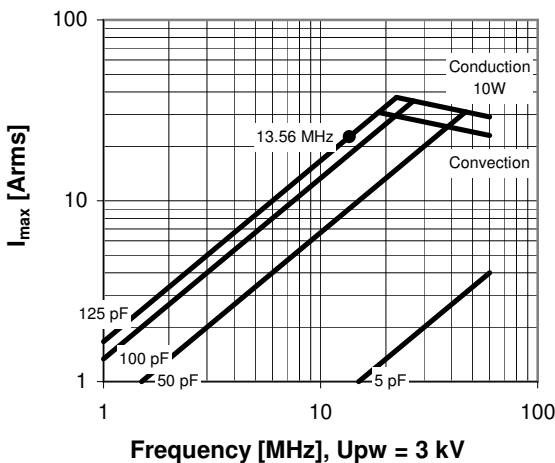
## CVLI-125AC/5-BFS-2

Old Type Designation: CV05C-125H

Specifications	
Capacity $C_{max}$ (nominal)	125 pF
Capacity $C_{min}$ (nominal)	5 pF
Voltage (Peak Test $U_{pt}$ / Peak Working $U_{pw}$ )	5 kV / 3 kV
Capacity Tolerance (linear Range)	10%
Max. Current $I_{max}$ at 13.56 MHz with Conduction Cooling	22 Arms 10 W
Self Inductance	$\leq 8$ nH
Capacitance per turn	8.4 pF/turn
Torque	$\leq 0.15$ Nm
Net Weight	0.2 kg



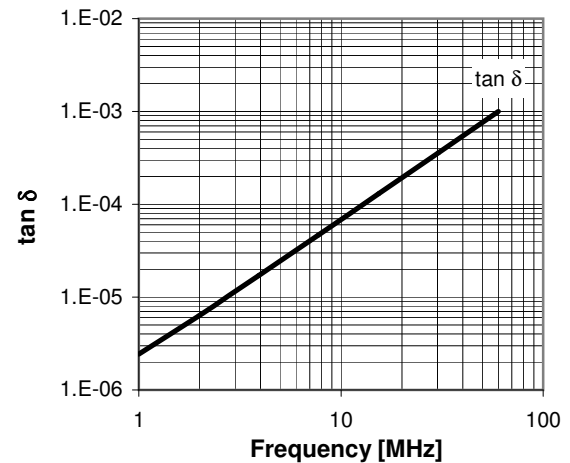
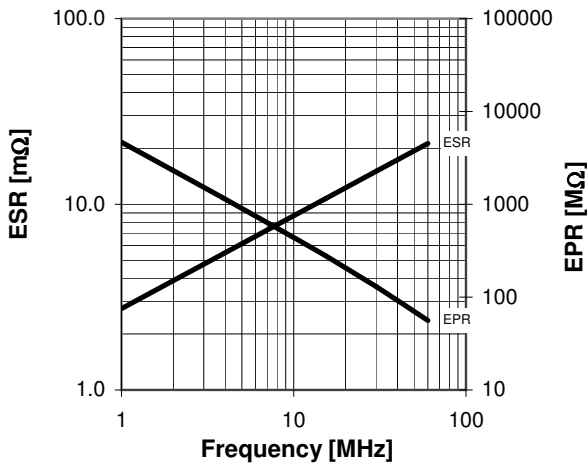
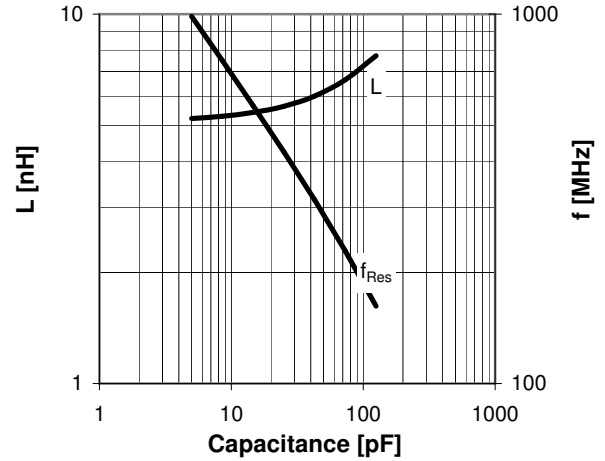
$I_{max}$  at 25°C ambient and 125°C surface temp. for convection and conduction (10 W) cooling



Turns	Nominal Capacitance [pF]	Tolerance
-1.0	5.0	10%
-0.6	6.5	10%
0.0	10.5	0%
4.0	42.6	10%
8.0	76.4	10%
12.0	110.1	10%
13.7	125.0	10%

Mechanical stop at < 5 pF at ~ -5.4 turns  
Mechanical stop at > 125 pF at ~ 14.1 turns

Self inductance and resonance frequency



Type Ordering Information:	Upt
CVLI-125AC/8-BFS-2	8 kV
CVLI-125AC/5-BFS-2	5 kV
CVLI-125AC/3-BFS-2	3 kV