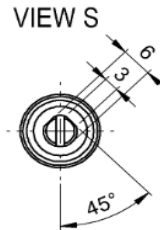
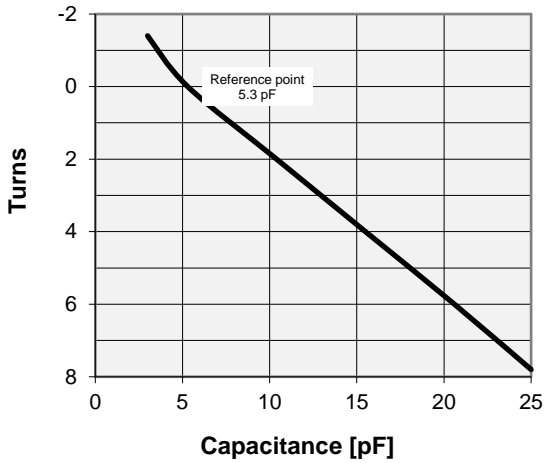
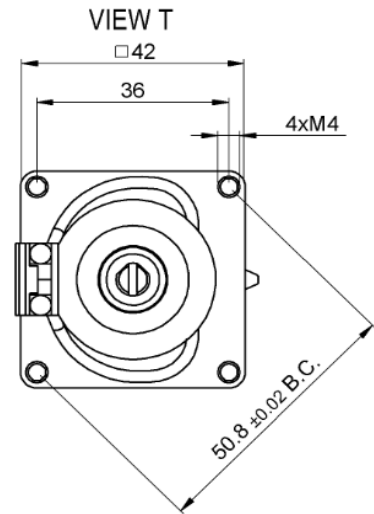


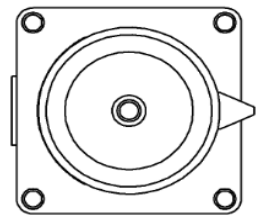
CVLI-25AC/15-BES-CJ

Specifications

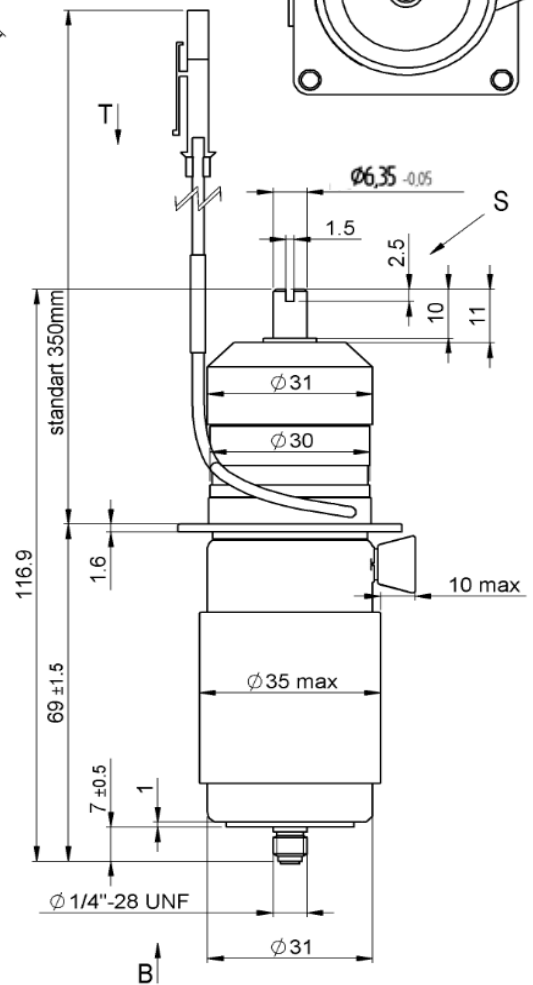
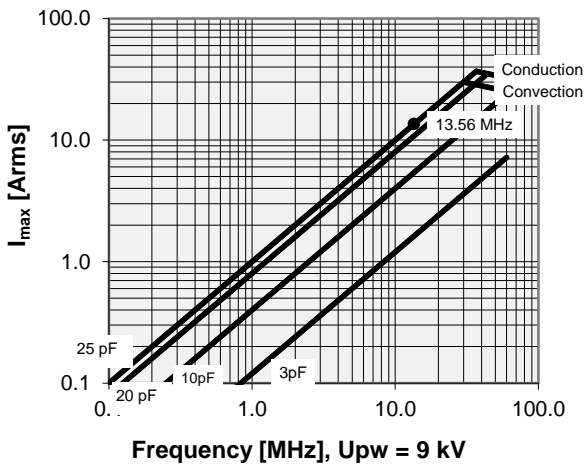
Capacitance C_{max} (nominal)	25 pF
Capacitance C_{min} (nominal)	3 pF
Voltage (Peak Test U_{pt} / Peak Working U_{pw})	15 kV / 9 kV
Capacitance Tolerance (linear Range)	10%
Max. Current I_{max} at 13.56 MHz with	13 Arms
Conduction Cooling	10 W
Capacitance per turn	2.5 pF/turn
Torque	≤ 0.15 Nm
Net Weight	0.25 kg



VIEW B



I_{max} at 25°C ambient and 125°C surface temp. for convection and conduction (10 W) cooling



Note:
 Technical information in Service Bulletins
 SB-32 and SB-52 must be considered
 Subject to change without prior notice

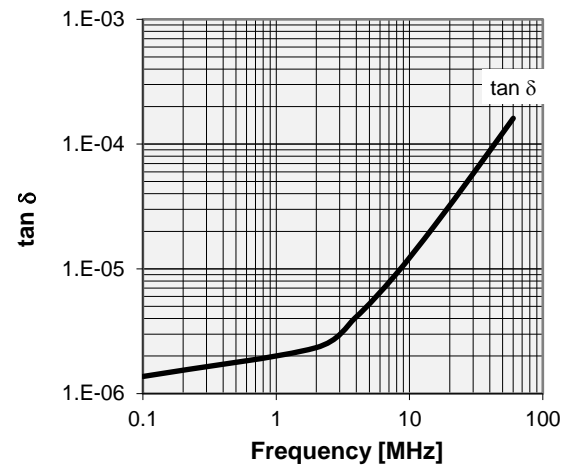
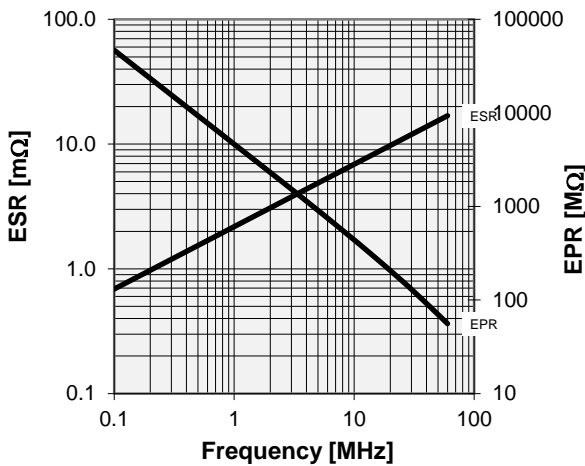
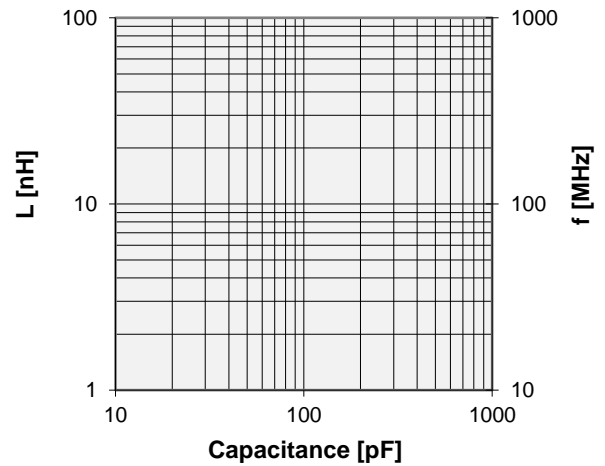
Issue: 09-May-2018
 Replaces: 19-Mar-2018

CVLI-25AC/15-BES-CJ

Turns	Nominal Capacitance [pF]	Tolerance
-1.4	3.0	10%
0.0	5.3	0%
2.0	10.4	10%
4.0	15.5	10%
6.0	20.6	10%
7.8	25.0	10%

Mechanical stop at < 3 pF at ~ -2 turns
 Mechanical stop at > 25 pF at ~ 8.3 turns

Self inductance and resonance frequency



Special Features:
Opti-Cap 2000, Special Bellows

Note:
 Technical information in Service Bulletins
 SB-32 and SB-52 must be considered
 Subject to change without prior notice