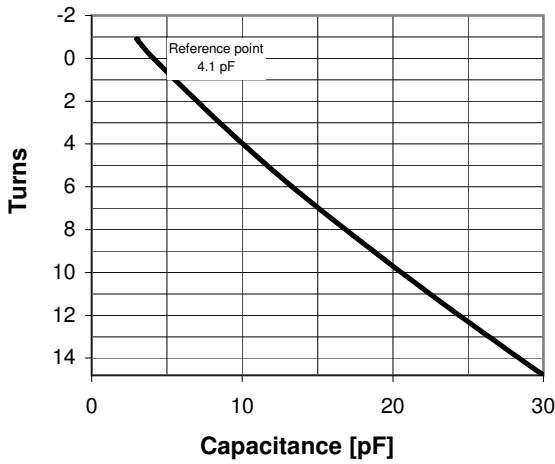
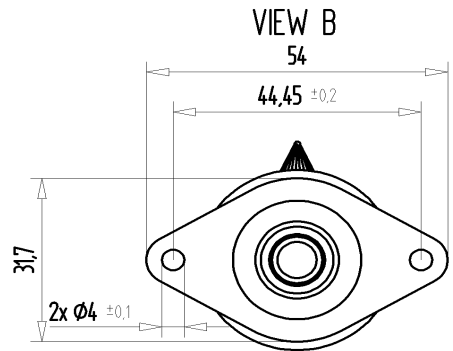
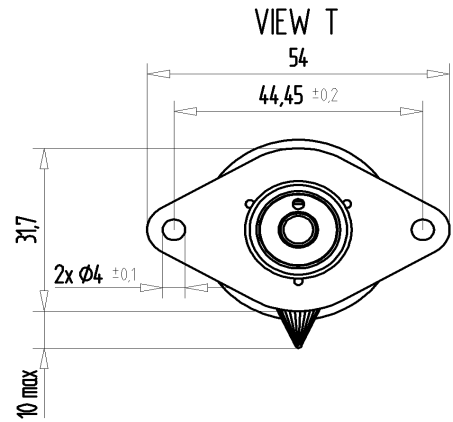
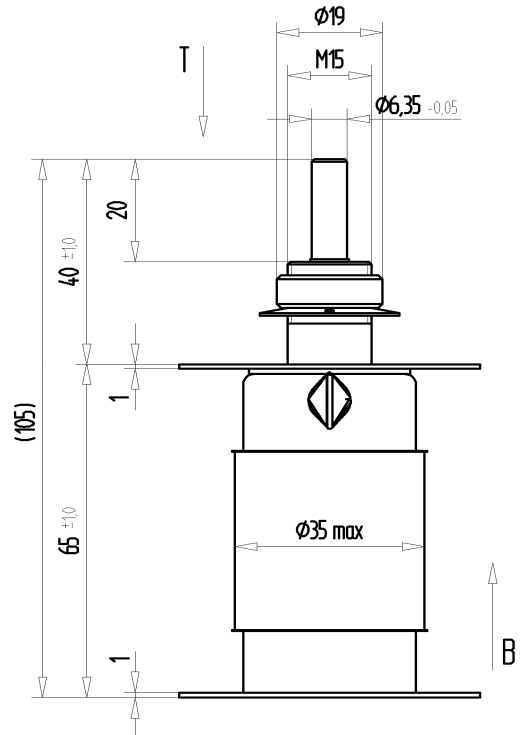
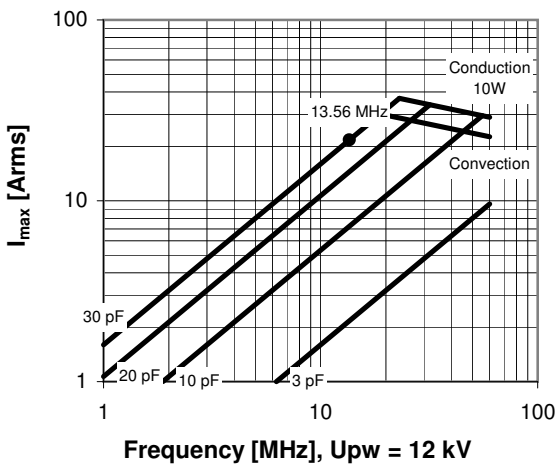


## CVLI-30DC/20-BAN

Specifications	
Capacity $C_{max}$ (nominal)	30 pF
Capacity $C_{min}$ (nominal)	3 pF
Voltage (Peak Test $U_{pt}$ / Peak Working $U_{pw}$ )	20 kV / 12 kV
Capacity Tolerance (linear Range)	10%
Max. Current $I_{max}$ at 13.56 MHz with	21 Arms
Conduction Cooling	10 W
Self Inductance	$\leq 7$ nH
Capacitance per turn	1.8 pF/turn
Torque	$\leq 0.1$ Nm
Net Weight	0.2 kg



$I_{max}$  at 25°C ambient and 125°C surface temp. for convection and conduction (10 W) cooling



## CVLI-30DC/20-BAN

Turns	Nominal Capacitance [pF]	Tolerance
-0.9	3.0	10%
-0.8	3.1	10%
0.0	4.1	0%
3.0	8.5	10%
6.0	13.3	10%
9.0	18.7	10%
12.0	24.4	10%
14.8	30.0	10%

Mechanical stop at < 3 pF at ~ -6.9 turns  
Mechanical stop at > 30 pF at ~ 15.2 turns

Self inductance and resonance frequency

