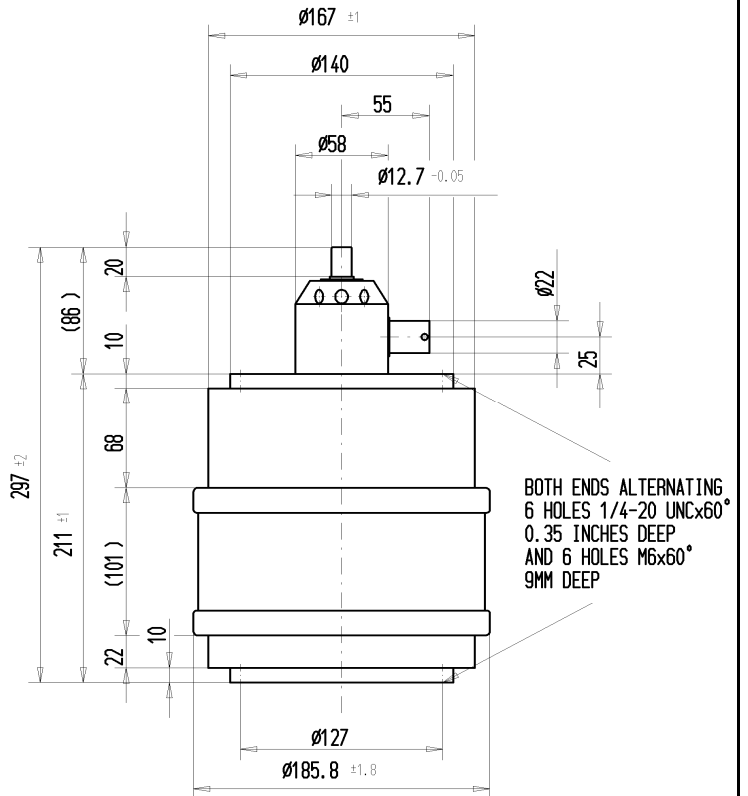
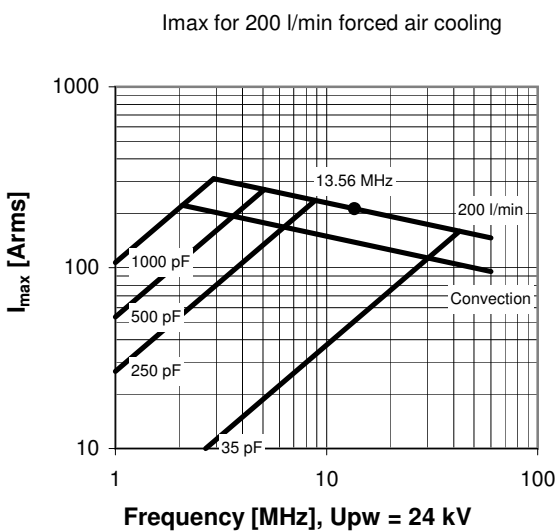
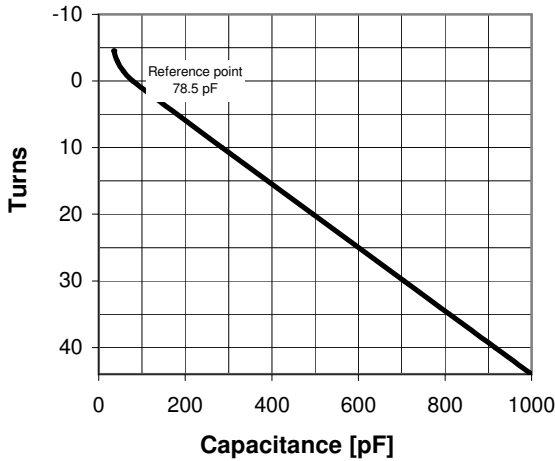


## CVMA-1000AA/40-AAB-P

Old Type Designation: CV2A-1000ES

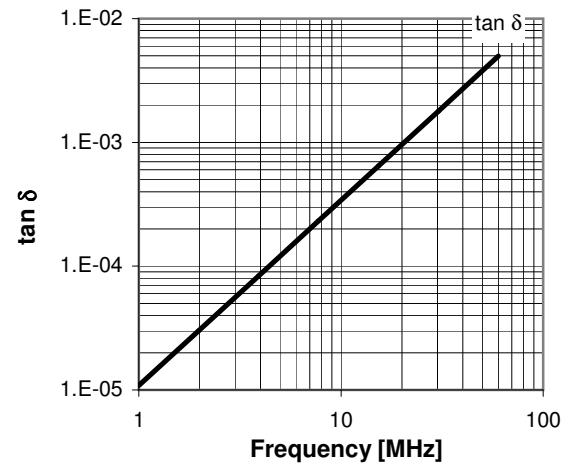
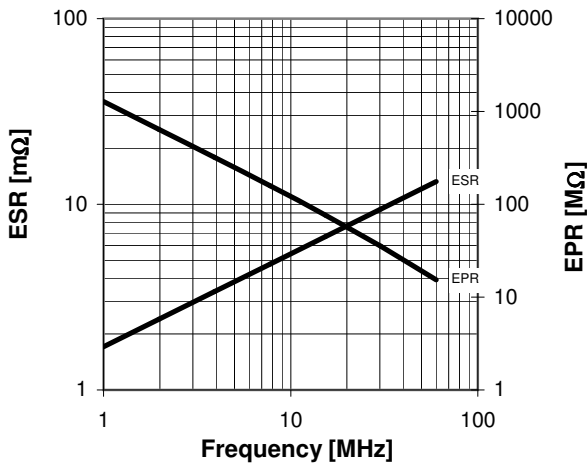
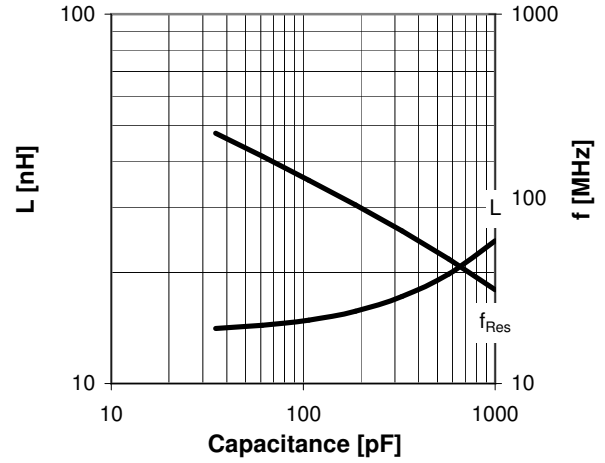
Specifications	
Capacity $C_{max}$ (nominal)	1000 pF
Capacity $C_{min}$ (nominal)	35 pF
Voltage (Peak Test $U_{pt}$ / Peak Working $U_{pw}$ )	40 kV / 24 kV
Capacity Tolerance (linear Range)	10%
Max. Current $I_{max}$ at 13.56 MHz with	211 Arms
Air Cooling	200 l/min
Self Inductance	$\leq 25$ nH
Capacitance per turn	20.9 pF/turn
Torque	$\leq 1.5$ Nm
Net Weight	9 kg



Turns	Nominal Capacitance [pF]	Tolerance
-4.5	35.0	10%
-3.0	43.1	10%
-1.5	56.8	10%
0.0	78.5	0%
10.0	284.7	10%
20.0	495.0	10%
30.0	705.3	10%
40.0	915.7	10%
44.0	1000.0	10%

Mechanical stop at < 35 pF at ~ -6.5 turns  
Mechanical stop at > 1000 pF at ~ 44.9 turns

Self inductance and resonance frequency



**Special Features:**

Lubrication System