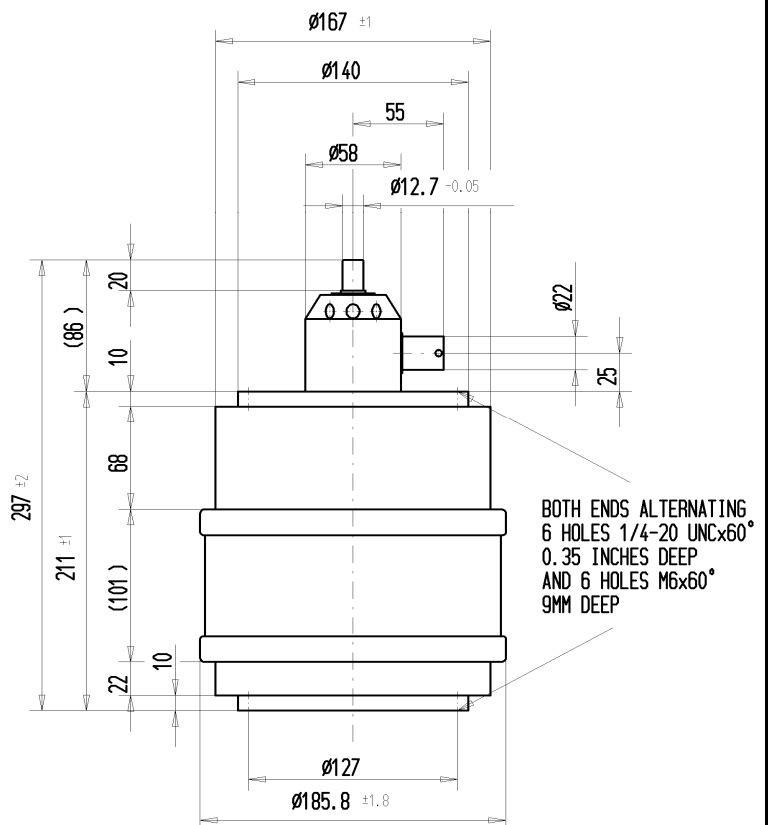
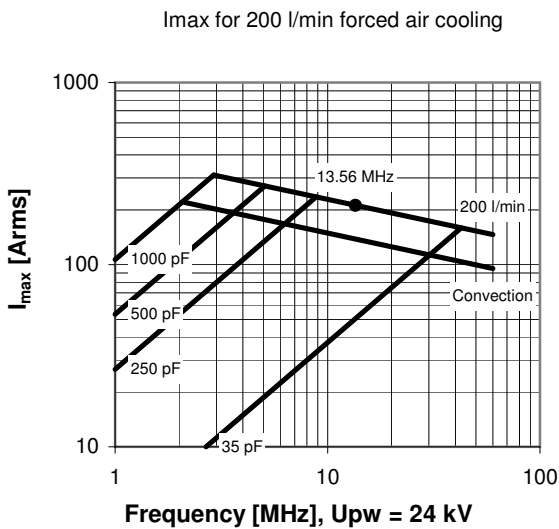
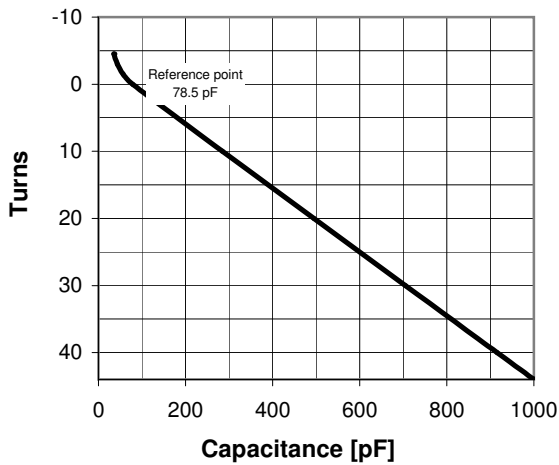


CVMA-1000AA/40-AAB

Old Type Designation: CV2A-1000E

Specifications	
Capacity C_{max} (nominal)	1000 pF
Capacity C_{min} (nominal)	35 pF
Voltage (Peak Test U_{pt} / Peak Working U_{pw})	40 kV / 24 kV
Capacity Tolerance (linear Range)	10%
Max. Current I_{max} at 13.56 MHz with	211 Arms
Air Cooling	200 l/min
Self Inductance	≤ 25 nH
Capacitance per turn	20.9 pF/turn
Torque	≤ 1.5 Nm
Net Weight	9 kg



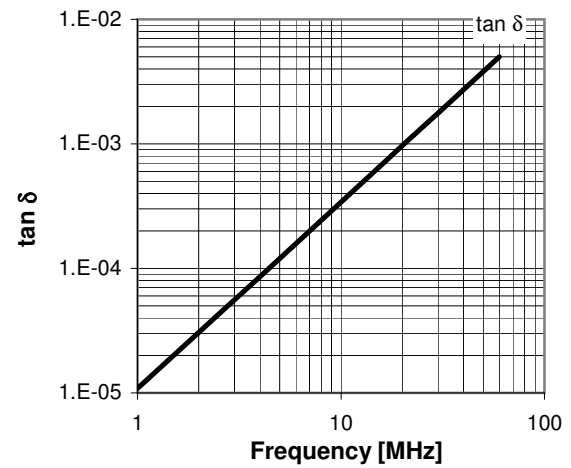
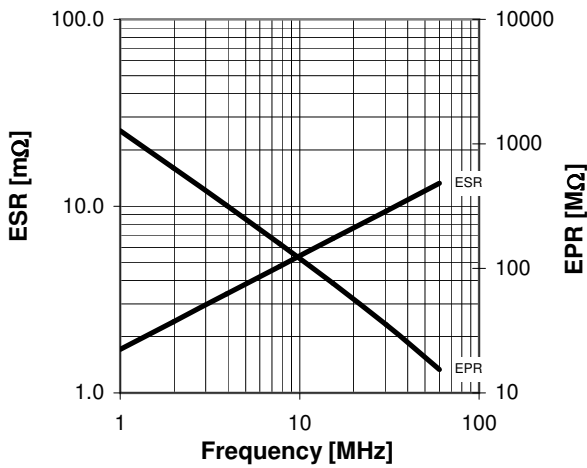
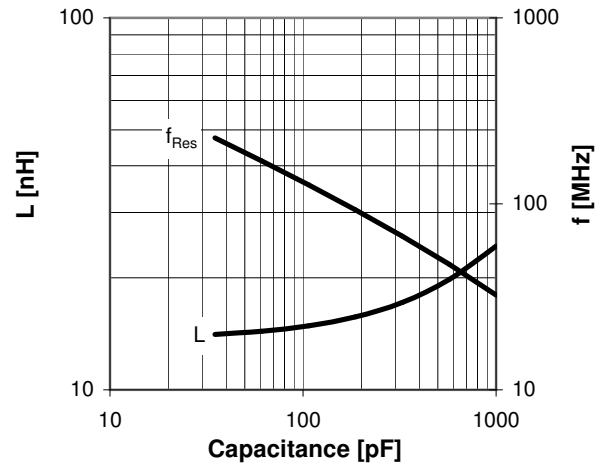
Subject to change without prior notice

Note: Technical information in Service Bulletin SB-52 must be considered

Turns	Nominal Capacitance [pF]	Tolerance
-4.5	35.0	10%
-3.0	43.1	10%
-1.5	56.8	10%
0.0	78.5	0%
10.0	284.7	10%
20.0	495.0	10%
30.0	705.3	10%
40.0	915.7	10%
44.0	1000.0	10%

Mechanical stop at < 35 pF at ~ -6.5 turns
Mechanical stop at > 1000 pF at ~ 44.9 turns

Self inductance and resonance frequency



Subject to change without prior notice

Note: Technical information in Service Bulletin
SB-52 must be considered