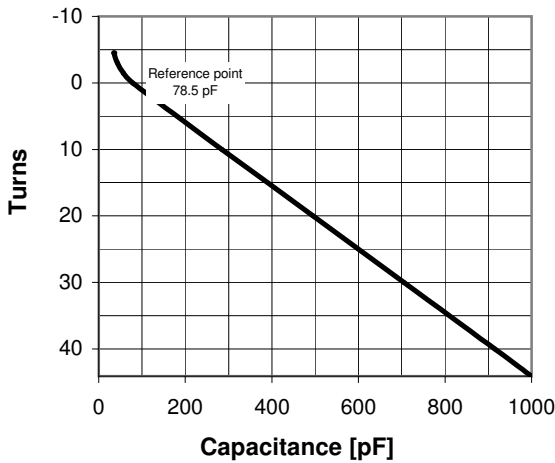
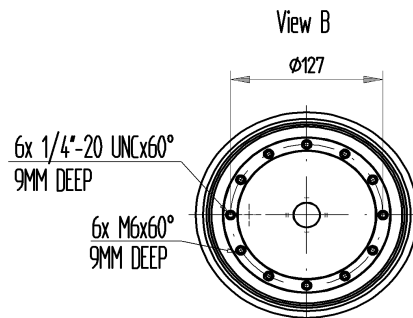
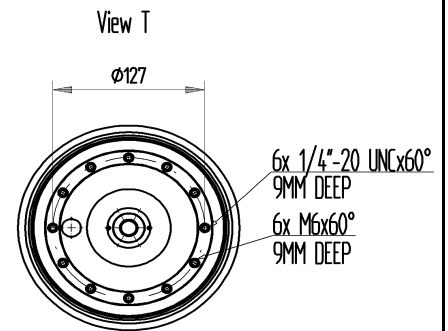


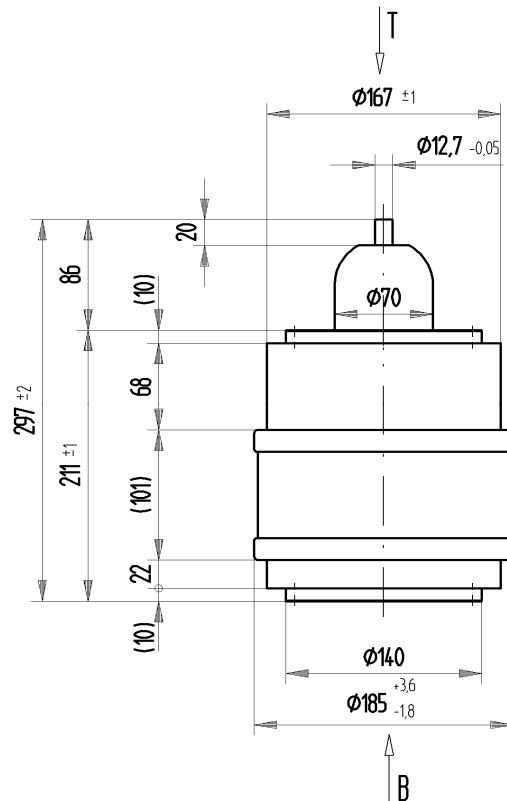
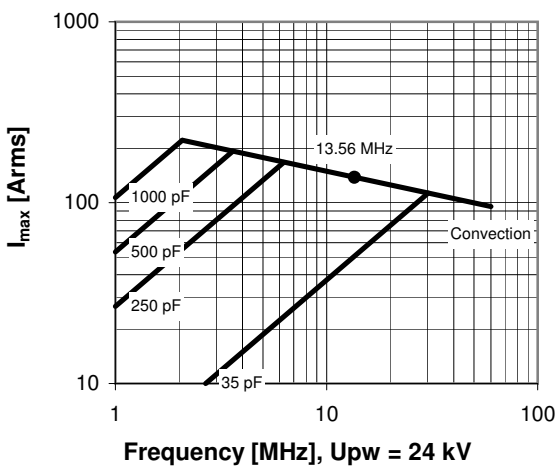
CVMA-1000AC/40-AAB

Old Type Designation: CV2C-1000E

Specifications	
Capacity C_{max} (nominal)	1000 pF
Capacity C_{min} (nominal)	35 pF
Voltage (Peak Test U_{pt} / Peak Working U_{pw})	40 kV / 24 kV
Capacity Tolerance (linear Range)	10%
Max. Current I_{max} at 13.56 MHz	138 Arms
Self Inductance	≤ 25 nH
Capacitance per turn	20.9 pF/turn
Torque	≤ 1.5 Nm
Net Weight	8.7 kg



I_{max} at 25°C ambient and 125°C surface temp. for convection cooling



Turns	Nominal Capacitance [pF]	Tolerance
-4.5	35.0	10%
-3.0	43.1	10%
-1.5	56.8	10%
0.0	78.5	0%
10.0	284.7	10%
20.0	494.8	10%
30.0	704.9	10%
40.0	915.0	10%
44.1	1000.0	10%

Mechanical stop at < 35 pF at ~ -6.1 turns
 Mechanical stop at > 1000 pF at ~ 44.6 turns

Self inductance and resonance frequency

