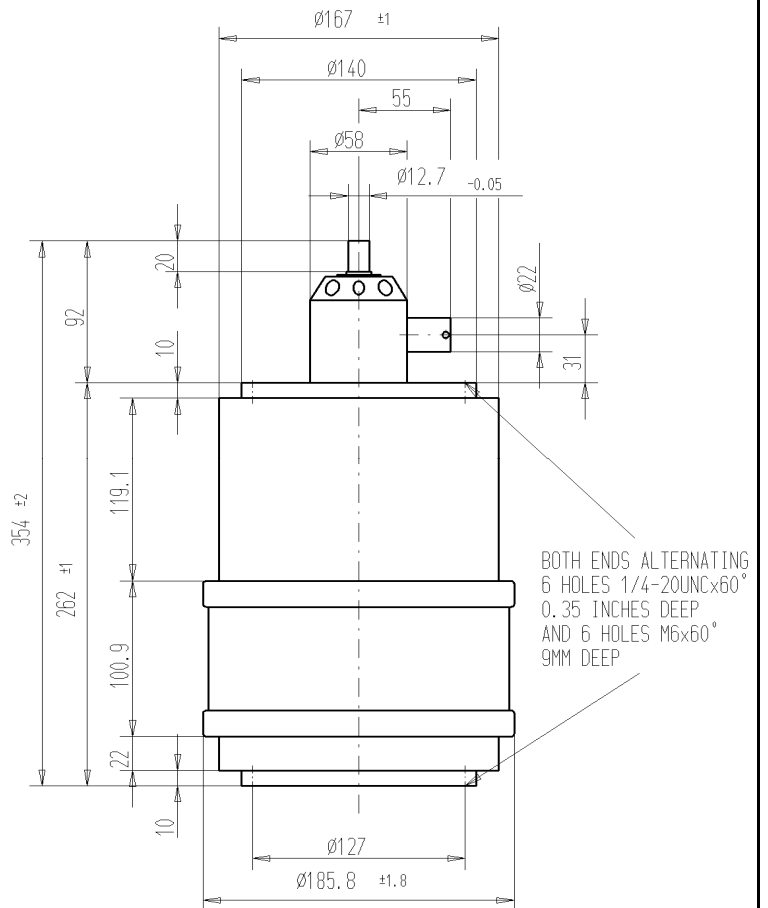
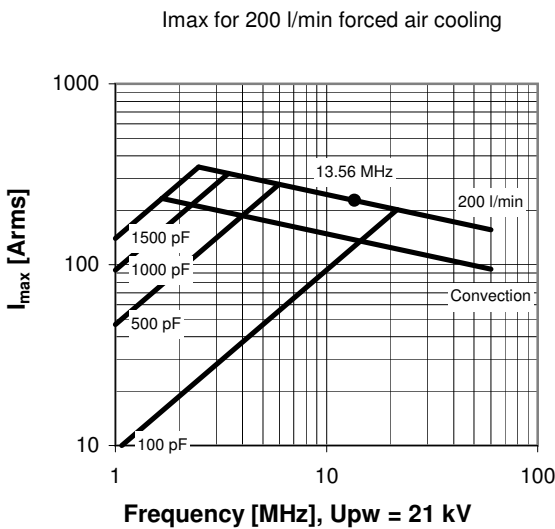
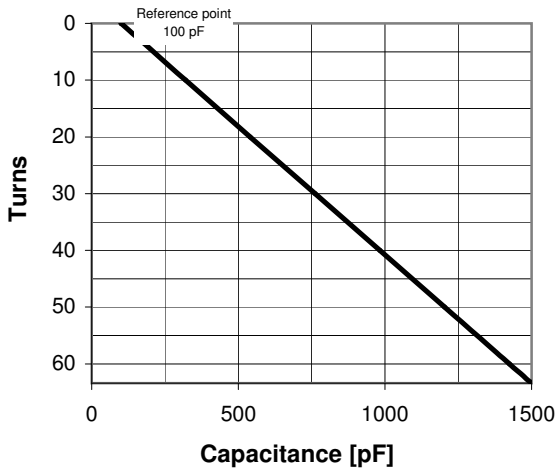


CVMA-1500AA/35-AAB-P

Old Type Designation: CV2A-1500ES

Specifications	
Capacity C_{max} (nominal)	1500 pF
Capacity C_{min} (nominal)	100 pF
Voltage (Peak Test U_{pt} / Peak Working U_{pw})	35 kV / 21 kV
Capacity Tolerance (linear Range)	10%
Max. Current I_{max} at 13.56 MHz with	226 Arms
Air Cooling	200 l/min
Capacitance per turn	22.1 pF/turn
Torque	≤ 1.5 Nm
Net Weight	10 kg



Subject to change without prior notice

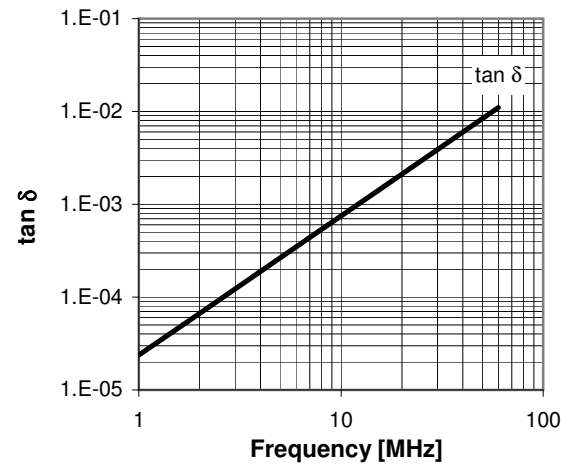
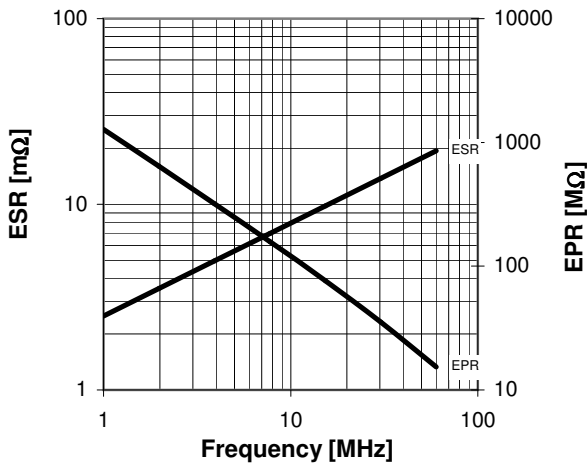
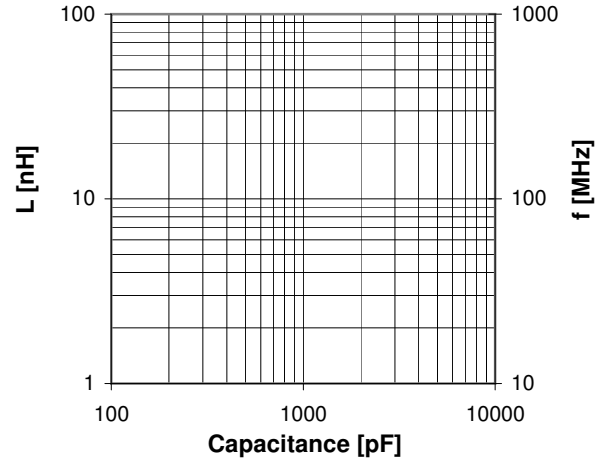
Note: Technical information in Service Bulletin SB-52 must be considered

Issue: 14-Jan-2009

Turns	Nominal Capacitance [pF]	Tolerance
0.0	100.0	0%
10.0	319.4	10%
20.0	540.7	10%
30.0	761.7	10%
40.0	982.6	10%
50.0	1203.6	10%
60.0	1424.6	10%
63.4	1500.0	10%

Mechanical stop at < 100 pF at ~ -2.3 turns
Mechanical stop at > 1500 pF at ~ 64.1 turns

Self inductance and resonance frequency



Special Features:

Lubrication System

Subject to change without prior notice

Note: Technical information in Service Bulletin
SB-52 must be considered

Issue: 14-Jan-2009