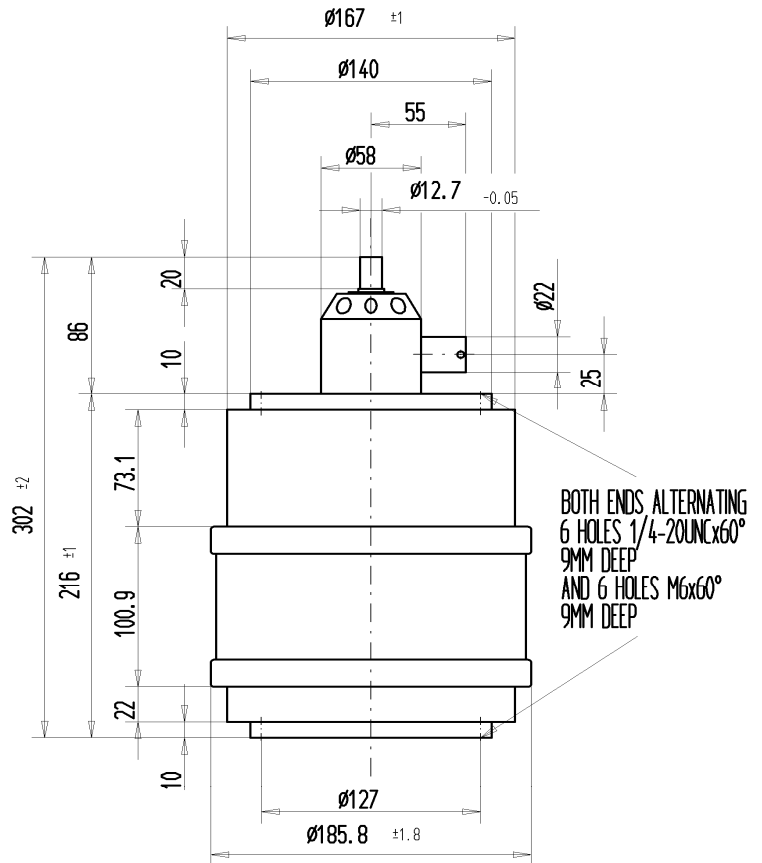
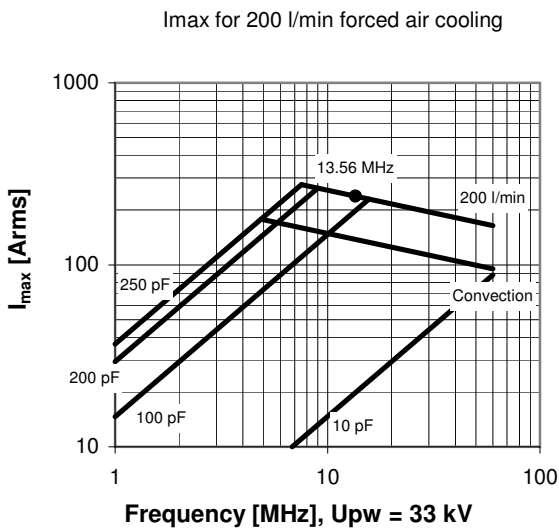
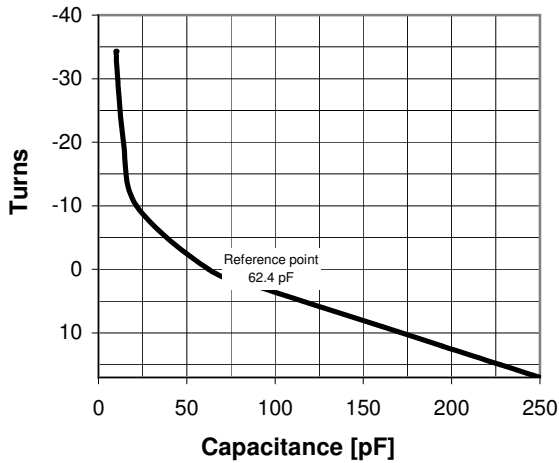


## CVMA-250AA/55-AAB-P

Old Type Designation: CV3A-250ES

Specifications	
Capacity $C_{max}$ (nominal)	250 pF
Capacity $C_{min}$ (nominal)	10 pF
Voltage (Peak Test $U_{pt}$ / Peak Working $U_{pw}$ )	55 kV / 33 kV
Capacity Tolerance (linear Range)	10%
Max. Current $I_{max}$ at 13.56 MHz with Air Cooling	238 Arms 200 l/min
Capacitance per turn	11 pF/turn
Torque	$\leq 1.5$ Nm
Net Weight	8.5 kg



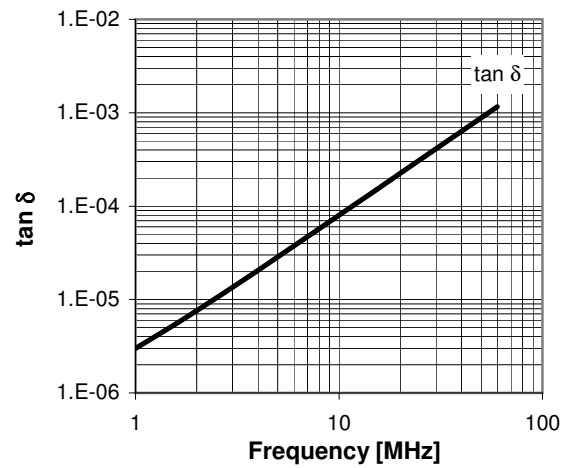
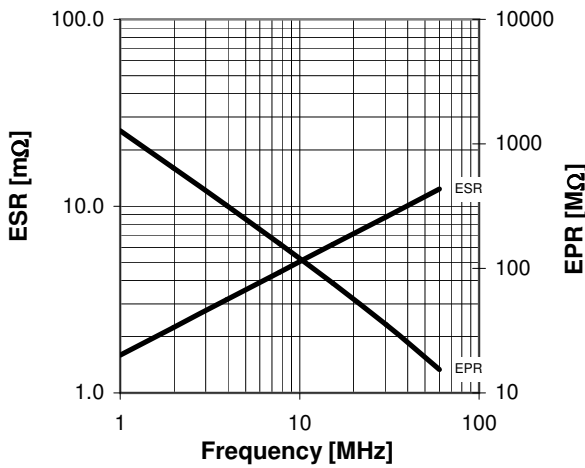
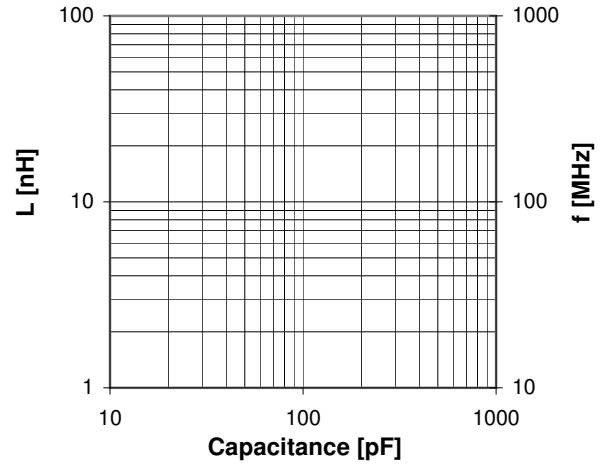
Subject to change without prior notice

Note: Technical information in Service Bulletin  
 SB-52 must be considered

Turns	Nominal Capacitance [pF]	Tolerance
-34.3	10.0	10%
-30.0	10.9	10%
-20.0	14.2	10%
-10.0	21.6	10%
0.0	62.4	0%
3.0	93.6	10%
6.0	127.1	10%
9.0	160.6	10%
12.0	194.1	10%
15.0	227.6	10%
17.0	250.0	10%

Mechanical stop at < 10 pF at ~ -42 turns  
Mechanical stop at > 250 pF at ~ 17.7 turns

Self inductance and resonance frequency



**Special Features:**

Lubrication System

Subject to change without prior notice

Note: Technical information in Service Bulletin  
SB-52 must be considered