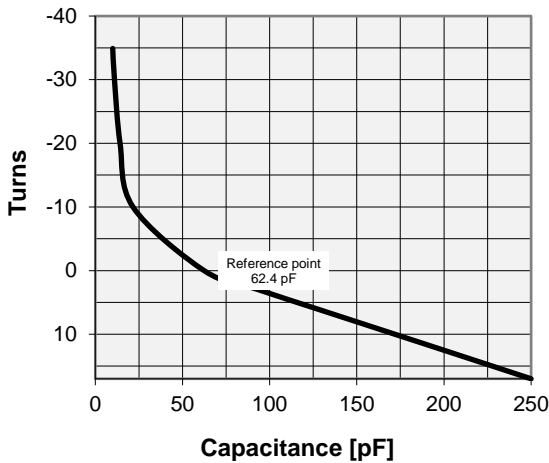


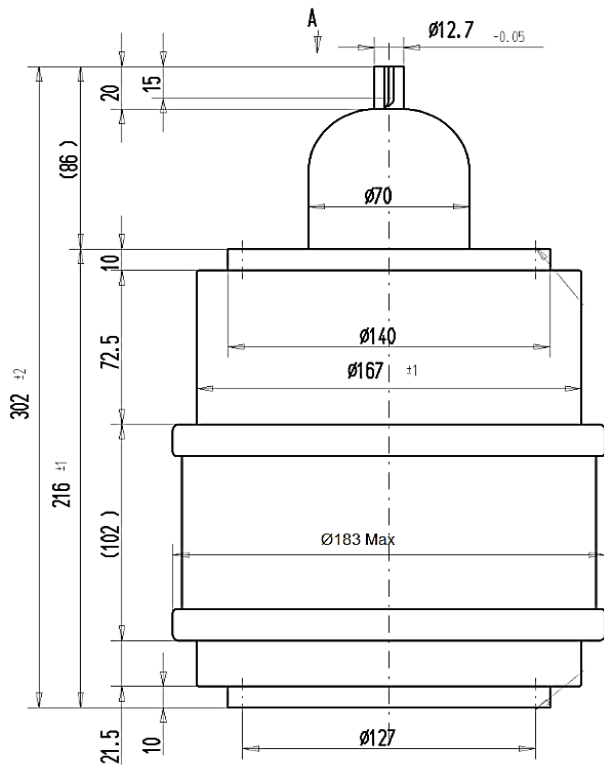
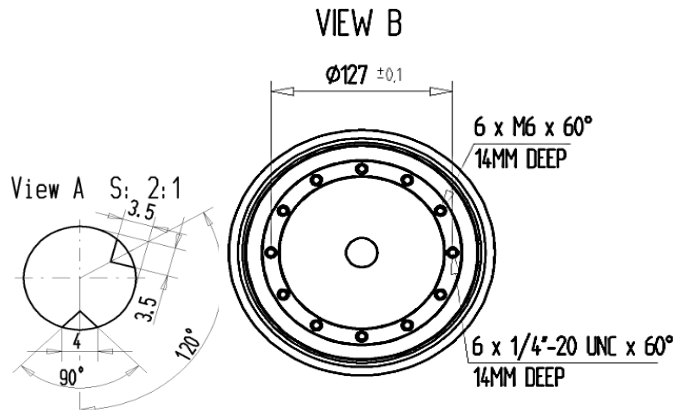
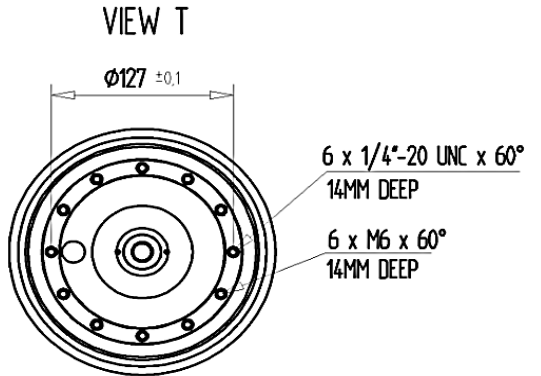
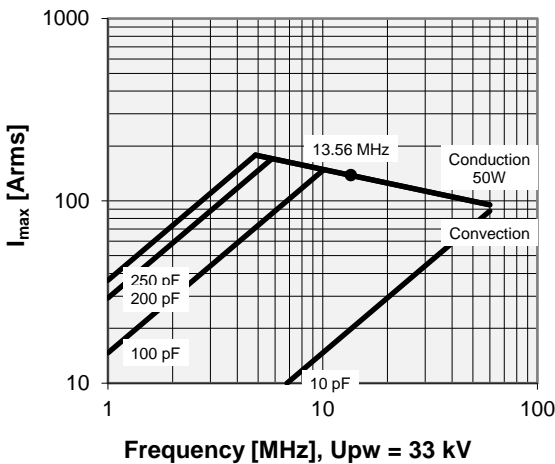
CVMA-250AC/55-ABBA

Specifications

Capacitance C_{max} (nominal)	250 pF
Capacitance C_{min} (nominal)	10 pF
Voltage (Peak Test U_{pt} / Peak Working U_{pw})	55 kV / 33 kV
Capacitance Tolerance (linear Range)	10%
Max. Current I_{max} at 13.56 MHz with	137 Arms
Conduction Cooling	50 W
Self Inductance	≤ 24 nH
Capacitance per turn	11 pF/turn
Torque	≤ 1.5 Nm
Net Weight	8.5 kg



I_{max} at 25°C ambient and 125°C surface temp. for con and conduction (50 W) cooling



Note:
 Technical information in Service Bulletin
 SB-52 must be considered
 Subject to change without prior notice

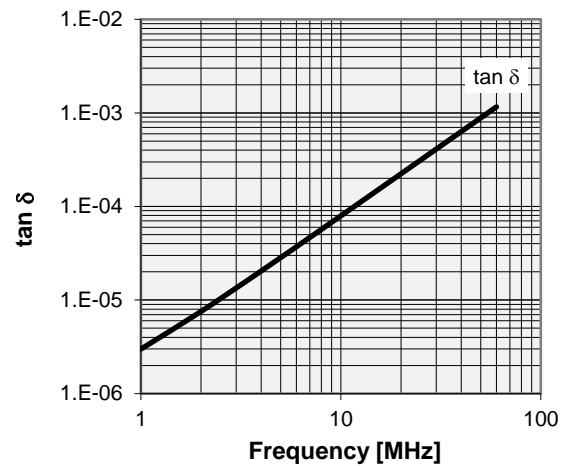
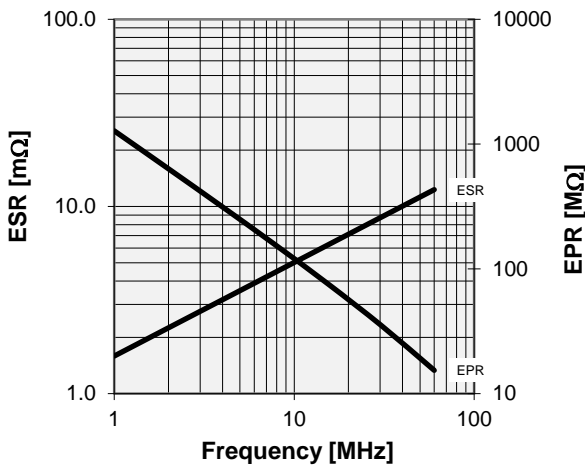
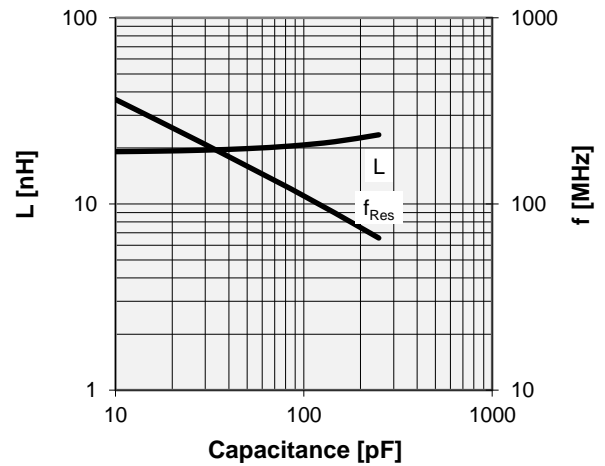
Issue: 14-Nov-2019
 Replaces: 01-Jun-2017

CVMA-250AC/55-ABBA

Turns	Nominal Capacitance [pF]	Tolerance
-34.9	10.0	10%
-30.0	11.0	10%
-20.0	14.2	10%
-10.0	21.6	10%
0.0	62.4	0%
3.0	93.5	10%
6.0	127.0	10%
9.0	160.6	10%
12.0	194.2	10%
15.0	227.7	10%
17.0	250.0	10%

Mechanical stop at < 10 pF at ~ -42.7 turns
 Mechanical stop at > 250 pF at ~ 17.4 turns

Self inductance and resonance frequency



Note:
 Technical information in Service Bulletin
 SB-52 must be considered
 Subject to change without prior notice