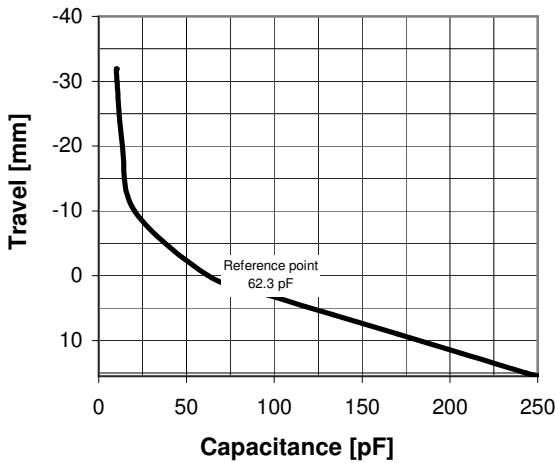


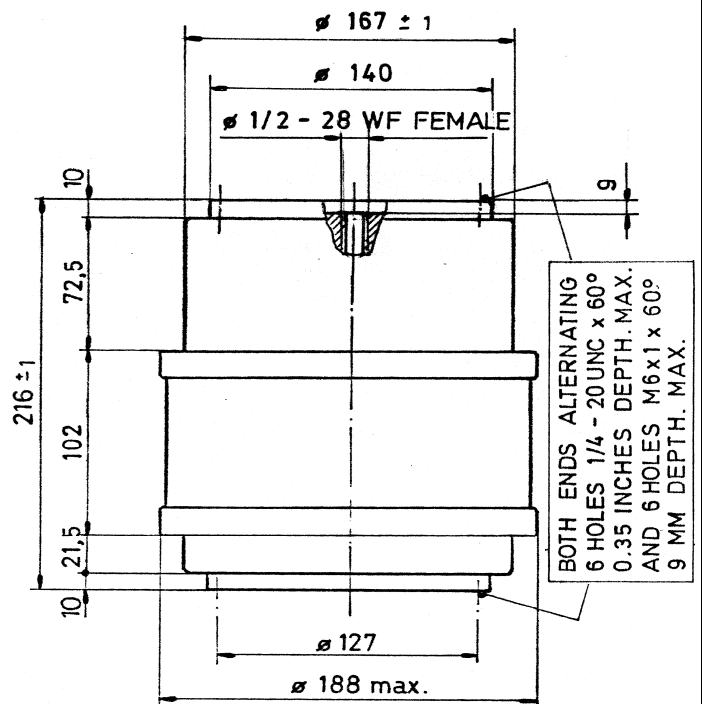
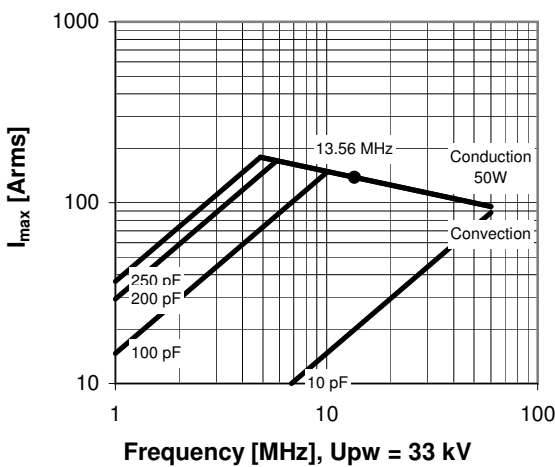
CVMA-250AC/55-ZJP

Old Type Designation: CV3C-250F

Specifications	
Capacity C_{max} (nominal)	250 pF
Capacity C_{min} (nominal)	10 pF
Voltage (Peak Test U_{pt} / Peak Working U_{pw})	55 kV / 33 kV
Capacity Tolerance (linear Range)	10%
Max. Current I_{max} at 13.56 MHz with	137 Arms
Conduction Cooling	50 W
Capacitance per mm	12.1 pF/mm
Pull Force	≤ 700 N
Net Weight	8.3 kg



I_{max} at 25°C ambient and 125°C surface temp. for convection and conduction (50 W) cooling



Travel [mm]	Nominal Capacitance [pF]	Tolerance
-31.9	10.0	10%
-30.0	10.4	10%
-20.0	13.5	10%
-10.0	20.5	10%
0.0	62.3	0%
3.0	96.7	10%
6.0	133.4	10%
9.0	170.1	10%
12.0	206.8	10%
15.0	243.5	10%
15.5	250.0	10%

Mechanical stop at < 10 pF at ~ -38.6 mm
Mechanical stop at > 250 pF at ~ 16.4 mm

Self inductance and resonance frequency

