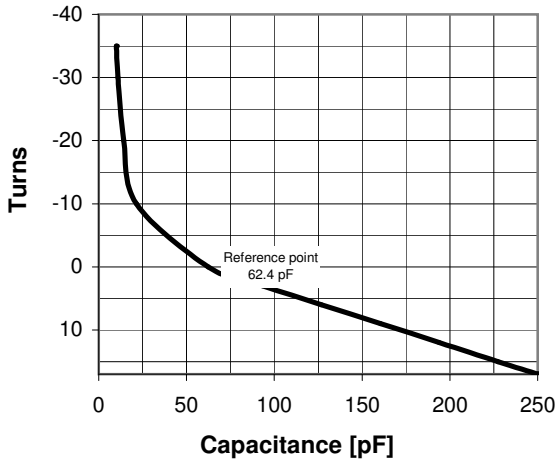


## CVMA-250DW/50-AAB-R

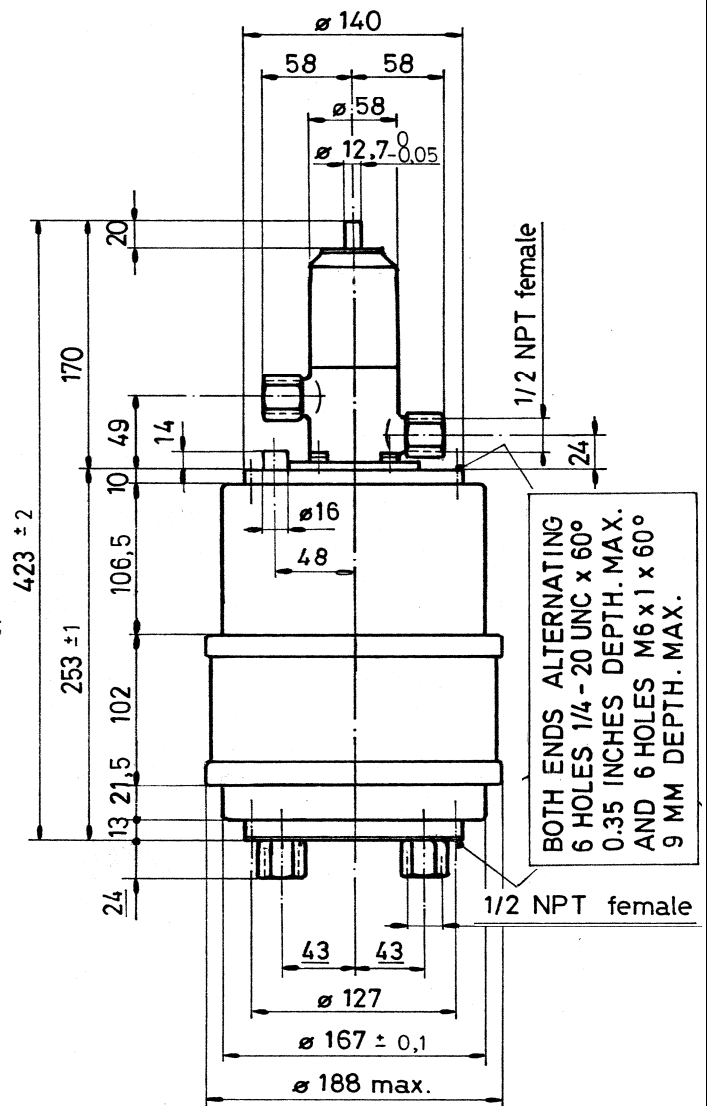
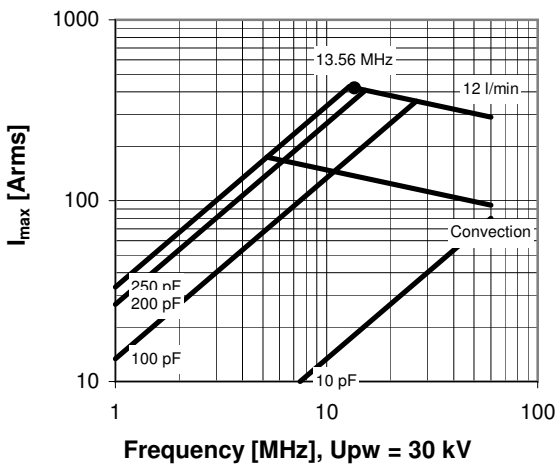
Old Type Designation: CV3W-250E

### Specifications

Capacity $C_{max}$ (nominal)	250 pF
Capacity $C_{min}$ (nominal)	10 pF
Voltage (Peak Test $U_{pt}$ / Peak Working $U_{pw}$ )	50 kV / 30 kV
Capacity Tolerance (linear Range)	10%
Max. Current $I_{max}$ at 13.56 MHz with Water Cooling	420 Arms
Capacitance per turn	11 pF/turn
Torque	$\leq 1.5$ Nm
Net Weight	12.8 kg



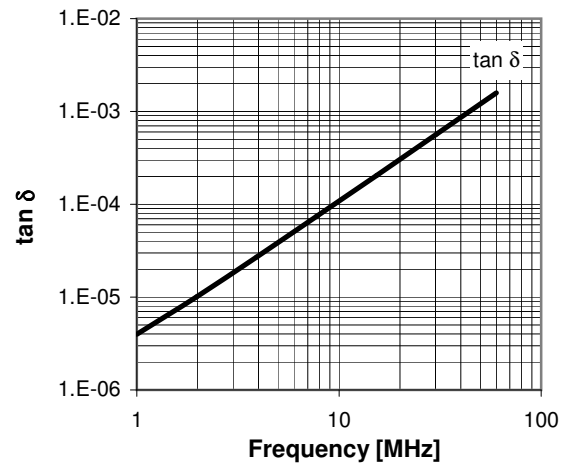
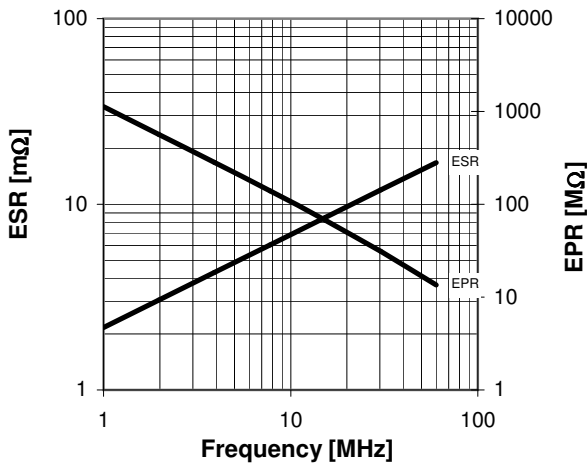
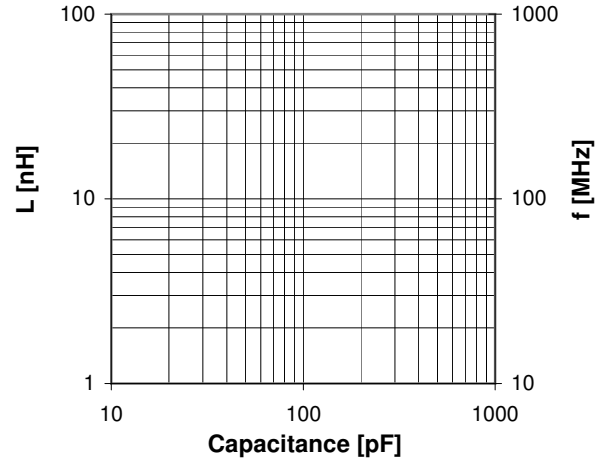
$I_{max}$  for 12 l/min water cooling; max. water temp. at inlet: 70°C;  
fixed end has to be water cooled with min. 4 l/min



Turns	Nominal Capacitance [pF]	Tolerance
-35.0	10.0	10%
-30.0	11.0	10%
-20.0	14.2	10%
-10.0	21.6	10%
0.0	62.4	0%
3.0	93.3	10%
6.0	126.8	10%
9.0	160.4	10%
12.0	193.9	10%
15.0	227.4	10%
17.0	250.0	10%

Mechanical stop at < 10 pF at ~ -44.5 turns  
 Mechanical stop at > 250 pF at ~ 17.7 turns

Self inductance and resonance frequency



**Special Features:**

Cooling Plate included