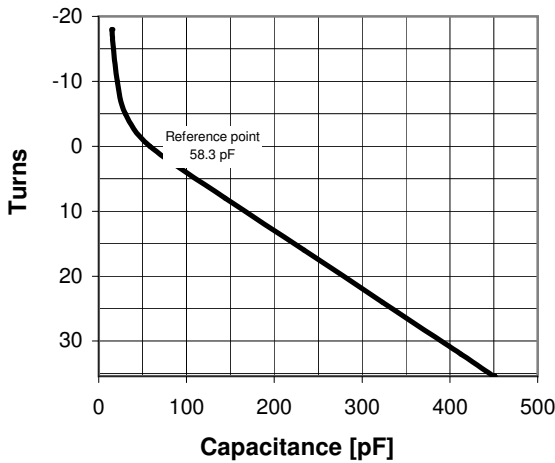


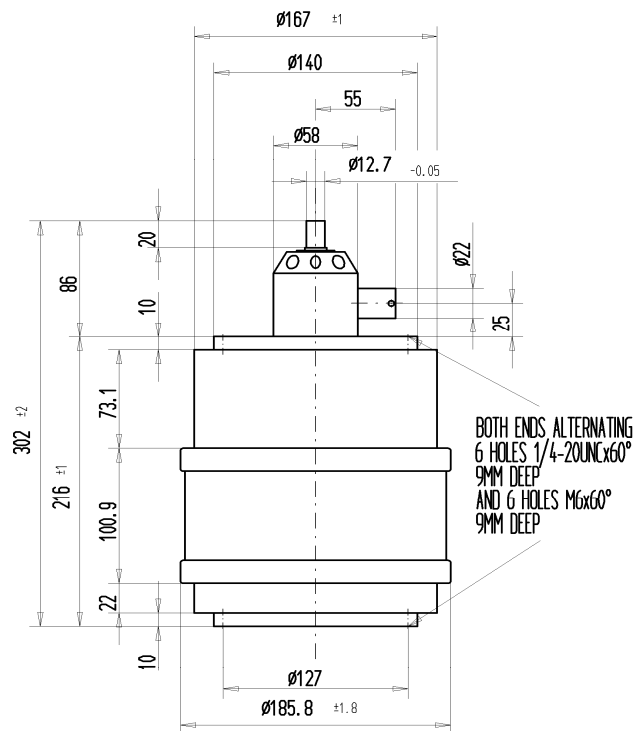
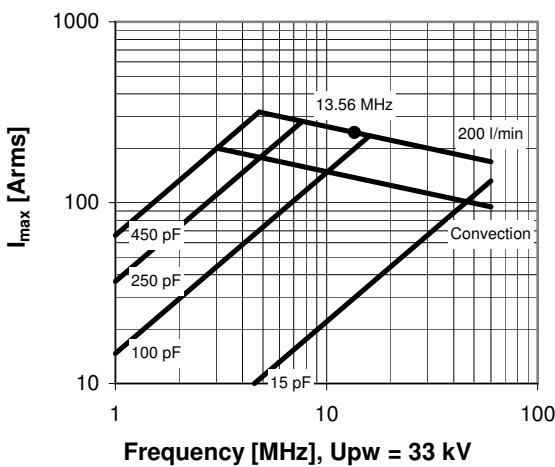
CVMA-450AA/55-AAB-P

Old Type Designation: CV3A-450ES

Specifications	
Capacity C_{max} (nominal)	450 pF
Capacity C_{min} (nominal)	15 pF
Voltage (Peak Test U_{pt} / Peak Working U_{pw})	55 kV / 33 kV
Capacity Tolerance (linear Range)	10%
Max. Current I_{max} at 13.56 MHz with	243 Arms
Air Cooling	200 l/min
Capacitance per turn	11.1 pF/turn
Torque	≤ 1.5 Nm
Net Weight	8.7 kg



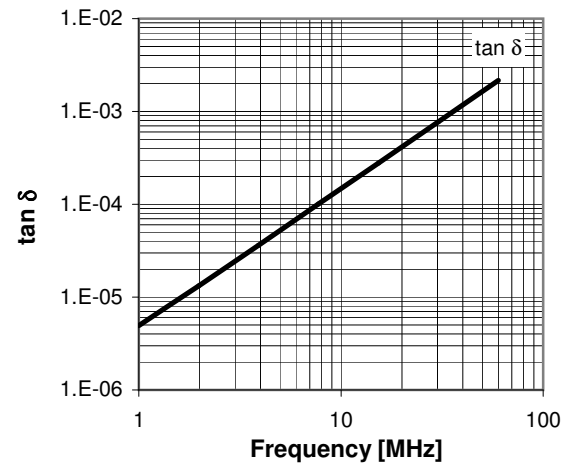
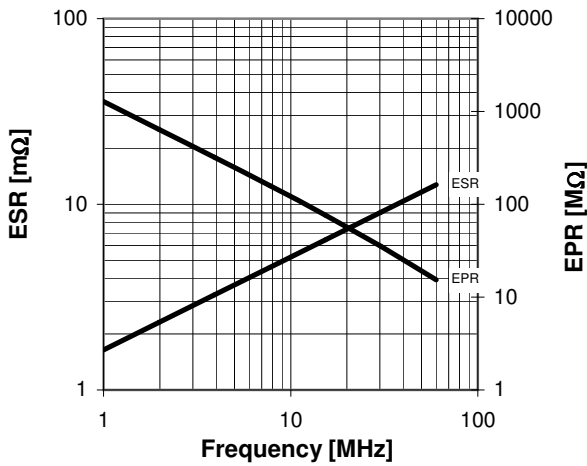
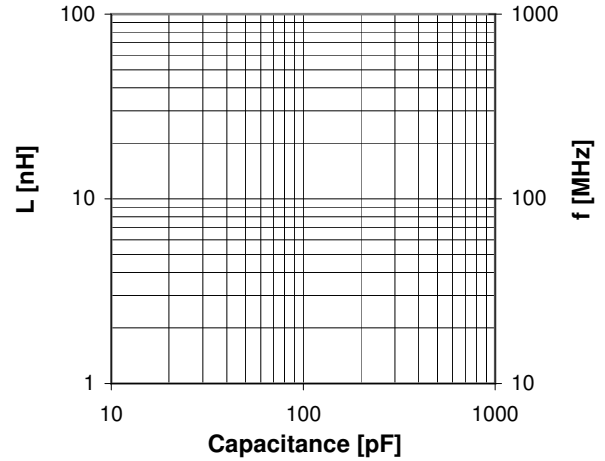
I_{max} for 200 l/min forced air cooling



Turns	Nominal Capacitance [pF]	Tolerance
-18.0	15.0	10%
-15.0	16.7	10%
-10.0	21.1	10%
-5.0	30.4	10%
0.0	58.3	0%
8.0	144.1	10%
16.0	233.6	10%
24.0	323.1	10%
32.0	412.6	10%
35.4	450.0	10%

Mechanical stop at < 15 pF at ~ -23.9 turns
Mechanical stop at > 450 pF at ~ 36.3 turns

Self inductance and resonance frequency



Special Features:

Lubrication System