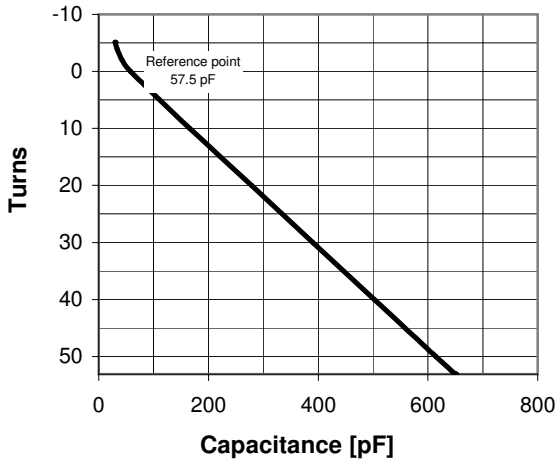


CVMA-650FW/50-AABH

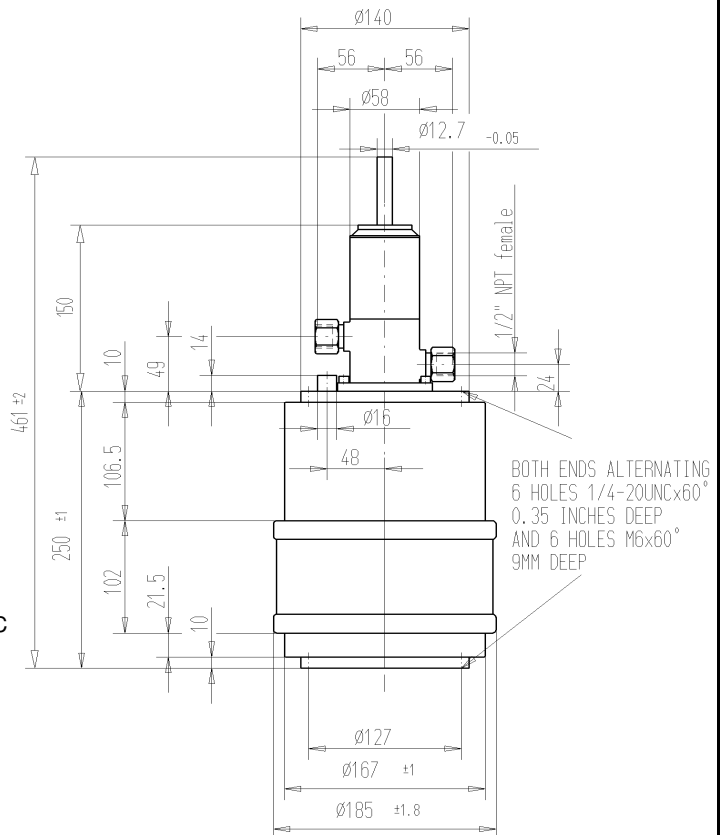
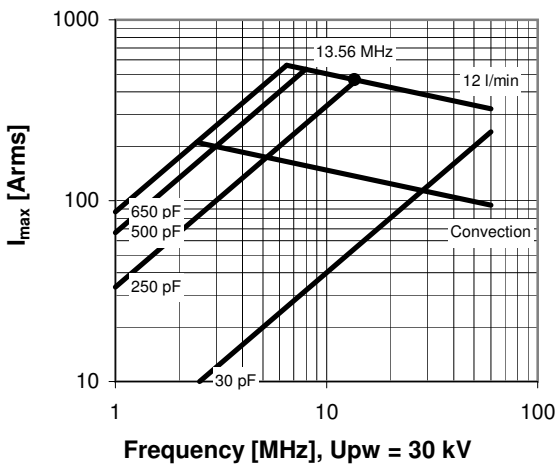
Old Type Designation: CV3W-650R

Specifications

Capacity C_{max} (nominal)	650 pF
Capacity C_{min} (nominal)	30 pF
Voltage (Peak Test U_{pt} / Peak Working U_{pw})	50 kV / 30 kV
Capacity Tolerance (linear Range)	10%
Max. Current I_{max} at 13.56 MHz with	467 Arms
Water Cooling	12 l/min
Self Inductance	≤ 31 nH
Capacitance per turn	11.2 pF/turn
Torque	≤ 1.5 Nm
Net Weight	12 kg



I_{max} for 12 l/min water cooling; max. water temp. at inlet: 70°C
fixed end has to be water cooled with min. 4 l/min



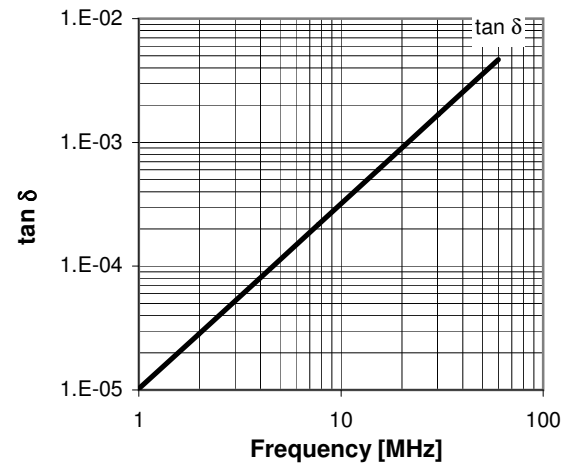
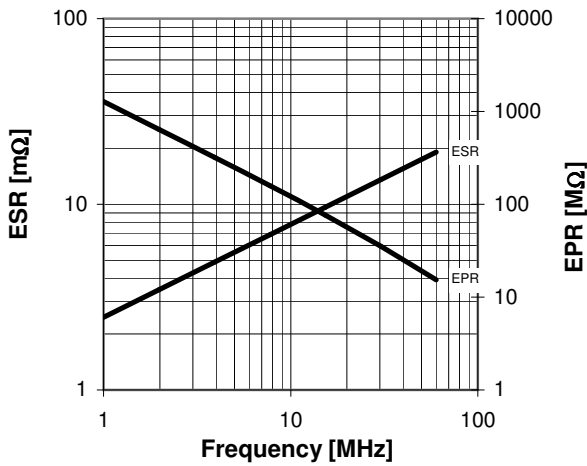
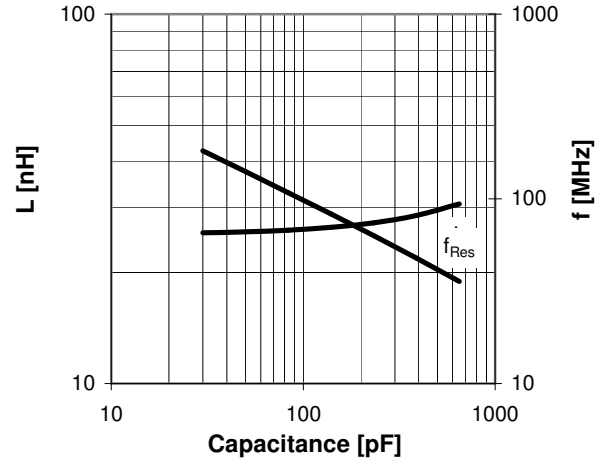
Subject to change without prior notice

Note: Technical information in Service Bulletin
SB-52 must be considered

Turns	Nominal Capacitance [pF]	Tolerance
-5.1	30.0	10%
-4.0	33.5	10%
-2.0	42.8	10%
0.0	57.5	0%
10.0	165.9	10%
20.0	278.1	10%
30.0	390.3	10%
40.0	502.4	10%
50.0	614.6	10%
53.1	650.0	10%

Mechanical stop at < 30 pF at ~ -8 turns
Mechanical stop at > 650 pF at ~ 53.7 turns

Self inductance and resonance frequency



Subject to change without prior notice

Note: Technical information in Service Bulletin
SB-52 must be considered