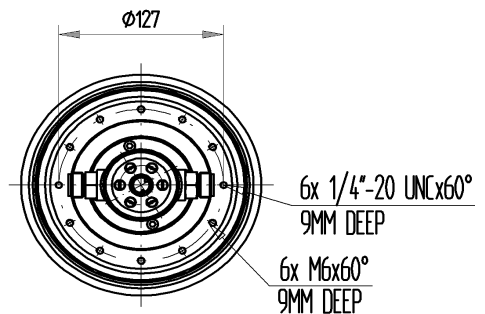


## CVMA-650HW/50-ABE-FJ

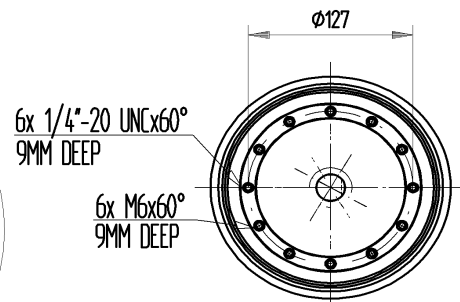
Old Type Designation: CV3W-650FBR

Specifications	
Capacity $C_{max}$ (nominal)	650 pF
Capacity $C_{min}$ (nominal)	30 pF
Voltage (Peak Test $U_{pt}$ / Peak Working $U_{pw}$ )	50 kV / 30 kV
Capacity Tolerance (linear Range)	3%
Max. Current $I_{max}$ at 13.56 MHz with	832 Arms
Water Cooling	12 l/min
Self Inductance	$\leq 31$ nH
Capacitance per turn	25.9 pF/turn
Torque	$\leq 1.5$ Nm
Net Weight	12 kg

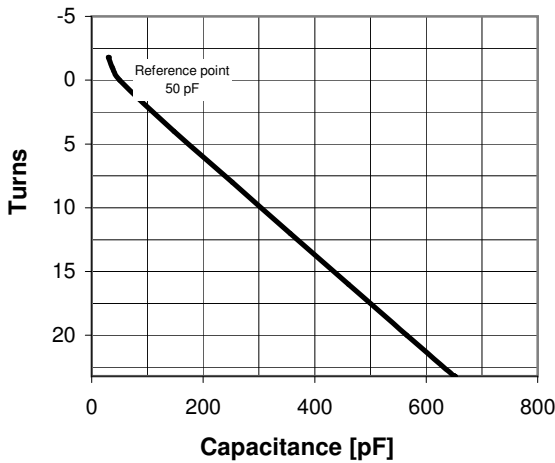
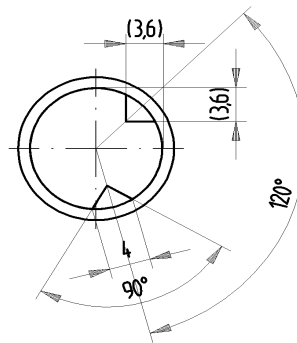
View T



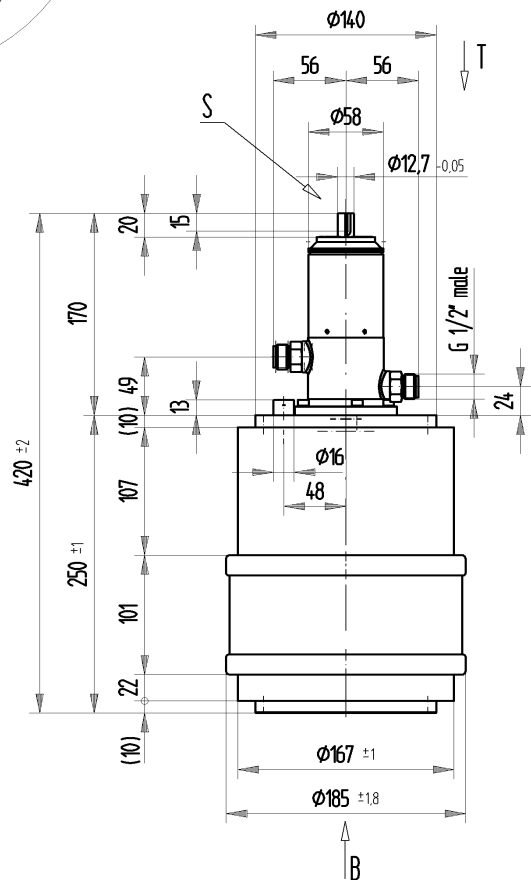
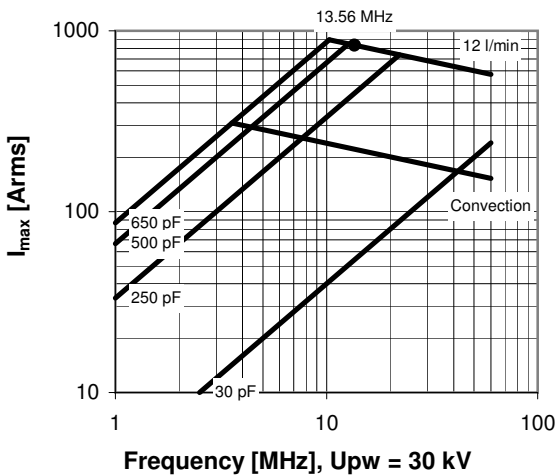
View B



View S



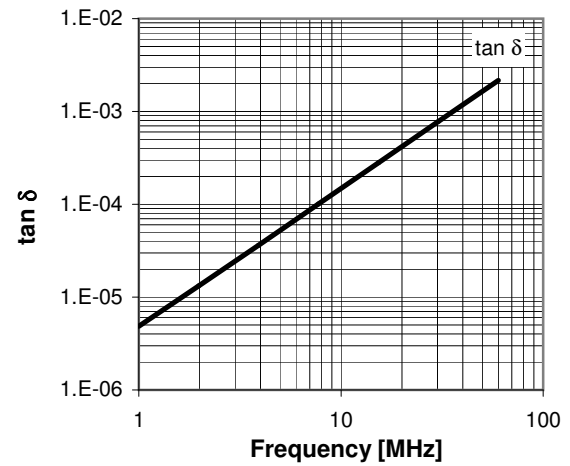
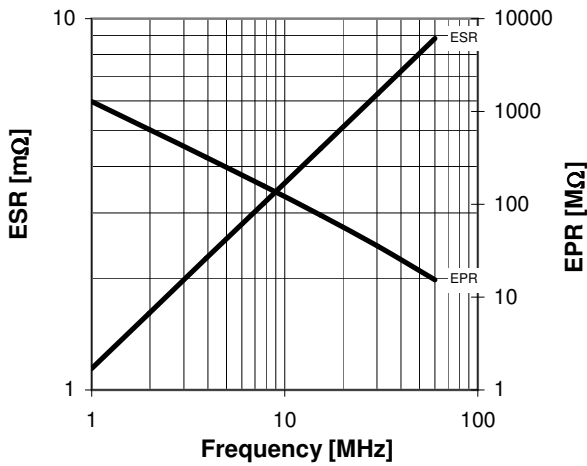
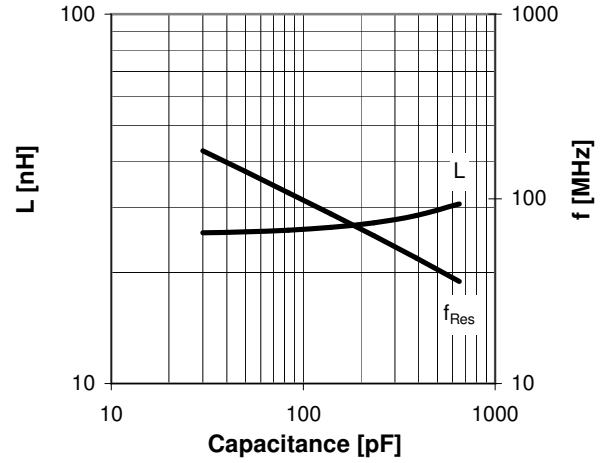
$I_{max}$  for 12 l/min water cooling; max. water temp. at inlet: 70°C;  
fixed end has to be cooled with min. 500 W



Turns	Nominal Capacitance [pF]	Tolerance
-1.8	30.0	3%
-1.0	36.5	3%
0.0	50.0	0%
4.0	147.5	3%
8.0	251.9	3%
12.0	356.3	3%
16.0	460.7	3%
20.0	565.0	3%
23.2	650.0	3%

Mechanical stop at < 30 pF at ~ -3.1 turns  
Mechanical stop at > 650 pF at ~ 23.5 turns

Self inductance and resonance frequency



**Special Features:**

Capacity Tolerance 3%, Special Bellows