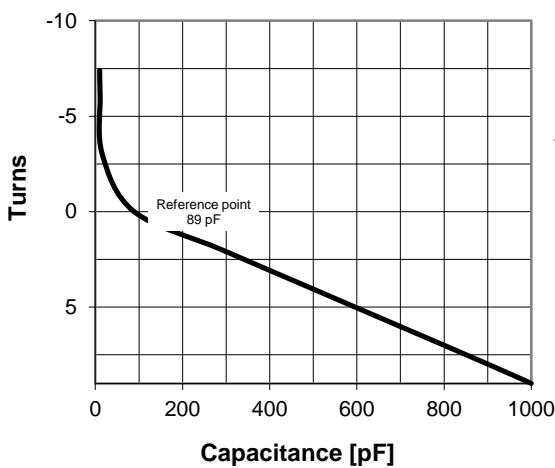
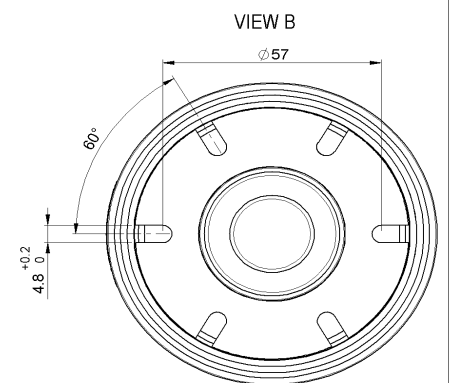
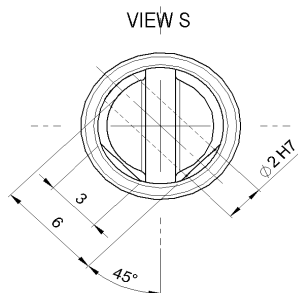
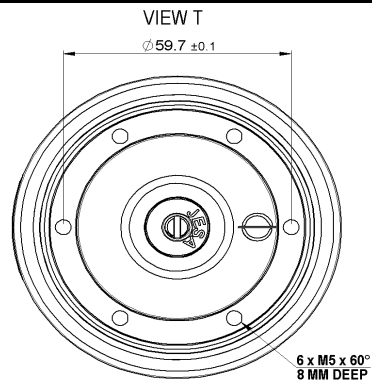


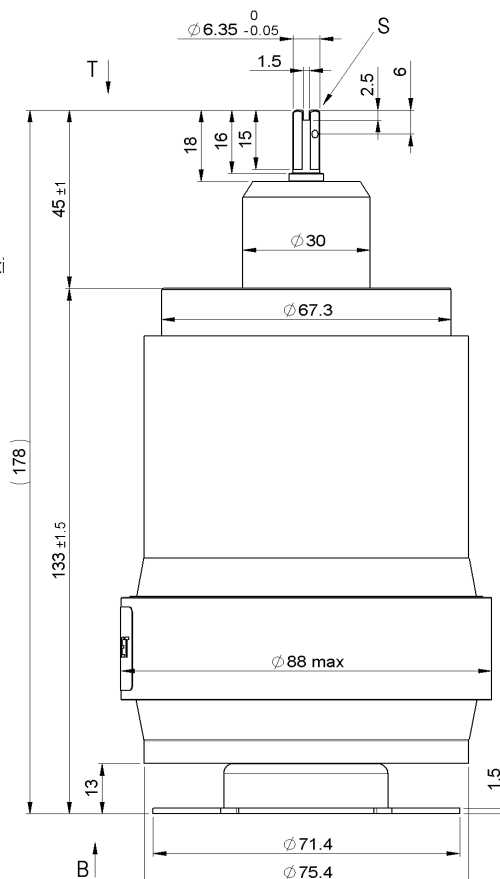
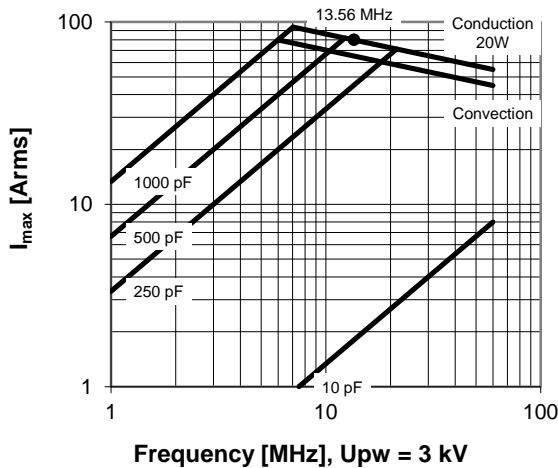
## CVMI-1000AC/5-BUC-L1

### Specifications

Capacitance $C_{max}$ (nominal)	1000 pF
Capacitance $C_{min}$ (nominal)	10 pF
Voltage (Peak Test $U_{pt}$ / Peak Working $U_{pw}$ )	5 kV / 3 kV
Capacitance Tolerance (linear Range)	10%
Max. Current $I_{max}$ at 13.56 MHz with	79 Arms
Conduction Cooling	20 W
Self Inductance	$\leq 13$ nH
Capacitance per turn	101.2 pF/turn
Torque	$\leq 0.3$ Nm
Net Weight	1.6 kg



$I_{max}$  at 25°C ambient and 125°C surface temp. for convecti and conduction (20 W) cooling



Subject to change without prior notice

Note: Technical information in Service Bulletin SB-52 must be considered

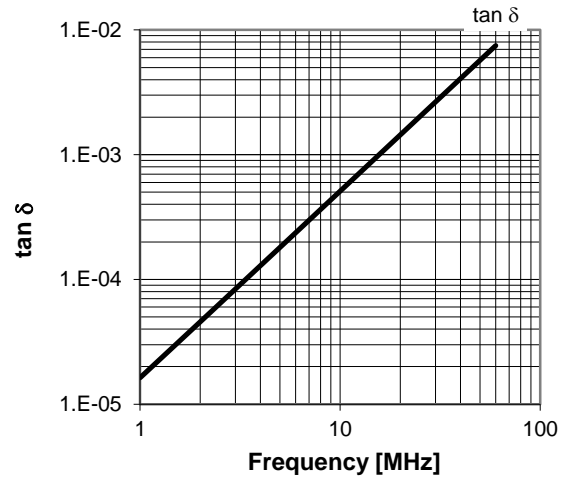
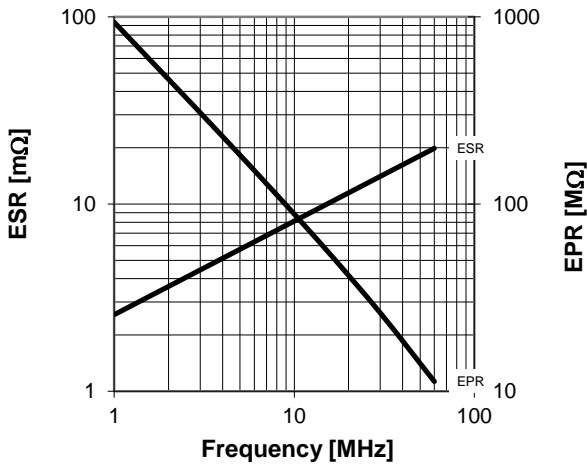
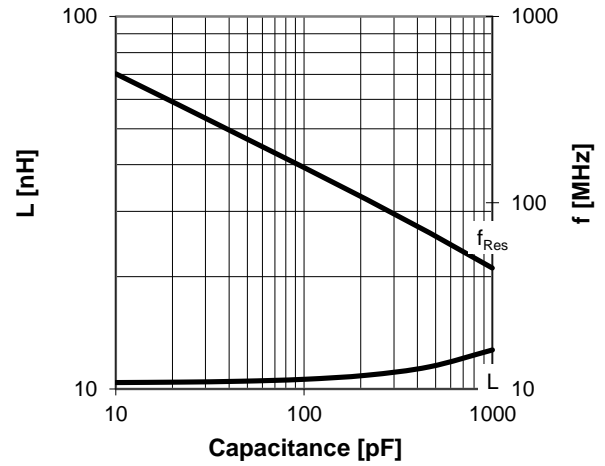
Issue: 01-May-2012

## CVMI-1000AC/5-BUC-L1

Turns	Nominal Capacitance [pF]	Tolerance
-7.4	10.0	10%
-6.0	11.0	10%
-3.0	15.9	10%
0.0	89.0	0%
2.0	290.3	10%
4.0	494.0	10%
6.0	697.7	10%
8.0	901.4	10%
9.0	1000.0	10%

Mechanical stop at < 10 pF at ~ -15.3 turns  
Mechanical stop at > 1000 pF at ~ 9.1 turns

Self inductance and resonance frequency



**Special Features:**

Integrated Flange

Subject to change without prior notice

Note: Technical information in Service Bulletin  
SB-52 must be considered

Issue: 01-May-2012