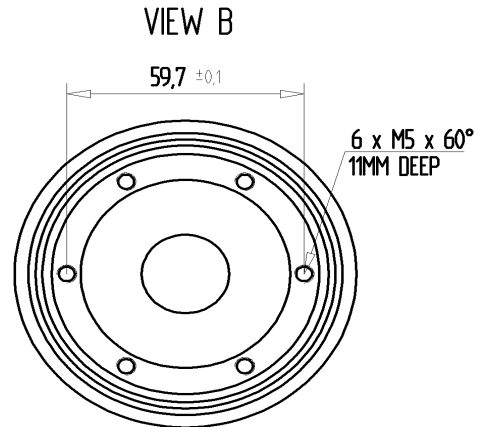
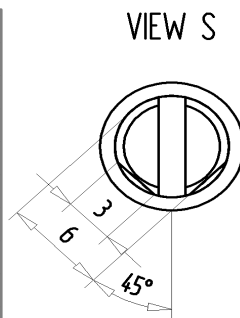
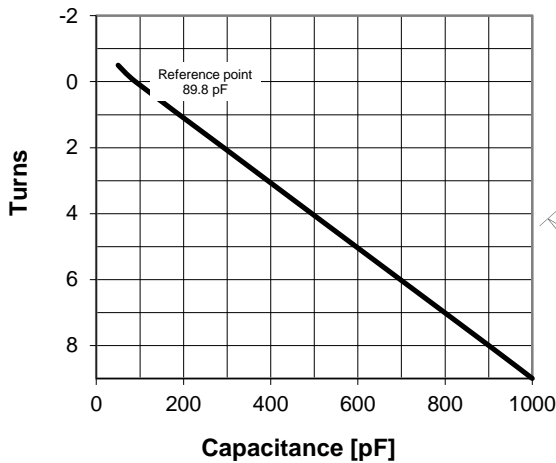
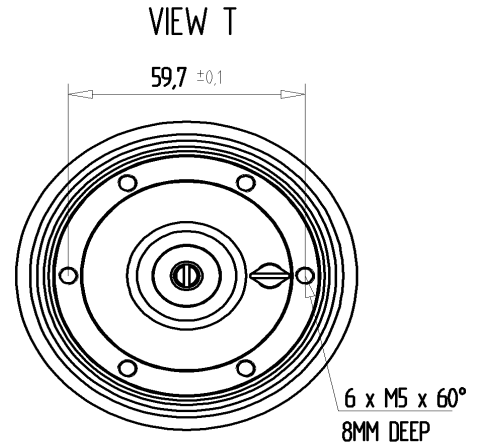
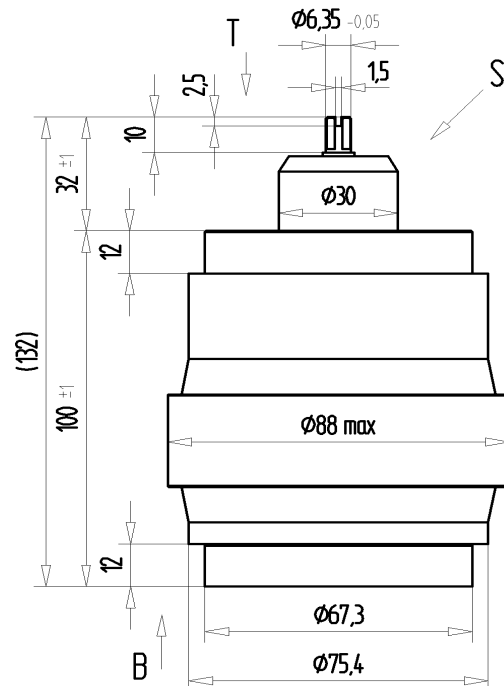
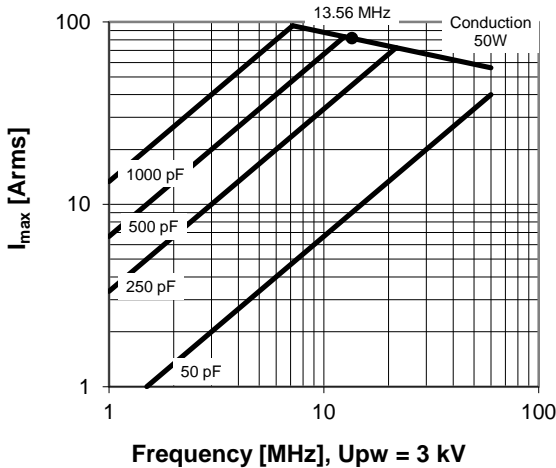


CVMN-1000AC/5-BECD

Specifications	
Capacitance C_{max} (nominal)	1000 pF
Capacitance C_{min} (nominal)	50 pF
Voltage (Peak Test U_{pt} / Peak Working U_{pw})	5 kV / 3 kV
Capacitance Tolerance (linear Range)	10%
Max. Current I_{max} at 13.56 MHz with	81 Arms
Conduction Cooling	50 W
Self Inductance	≤ 9 nH
Capacitance per turn	101.1 pF/turn
Torque	≤ 0.3 Nm
Net Weight	1.4 kg



I_{max} at 25°C ambient and 125°C surface temp. for convection and conduction (50 W) cooling



Subject to change without prior notice

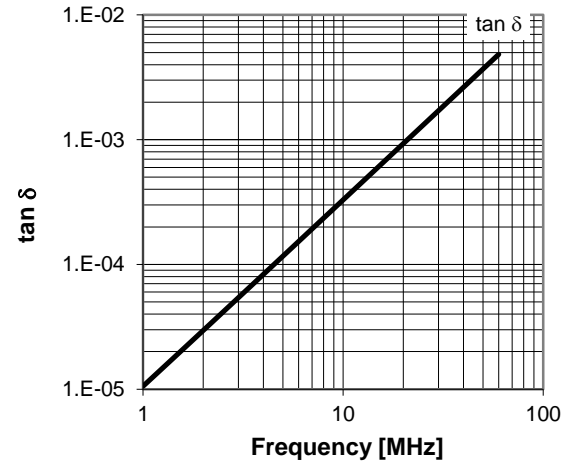
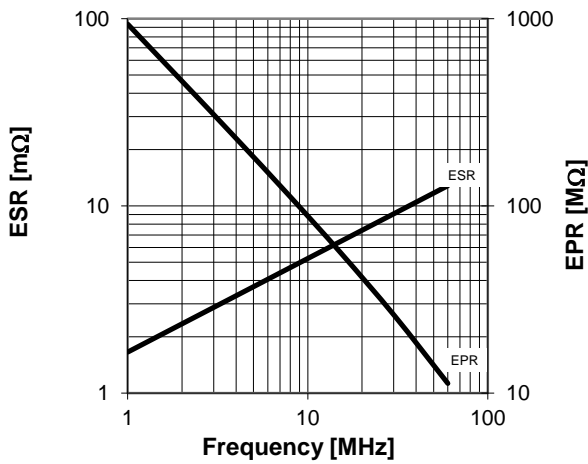
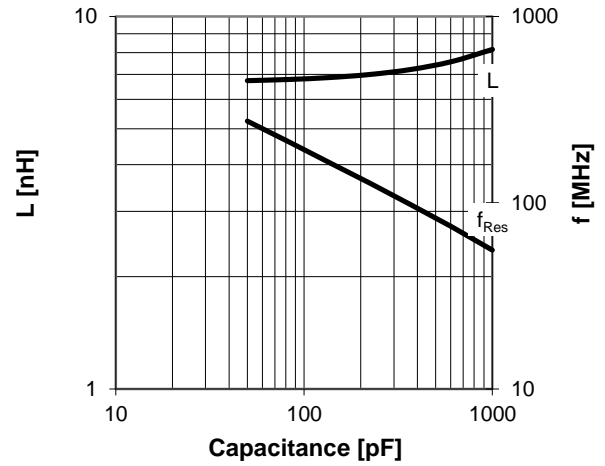
Note: Technical information in Service Bulletins SB-52 and SB-56 must be considered

CVMN-1000AC/5-BECD

Turns	Nominal Capacitance [pF]	Tolerance
-0.5	50.0	10%
0.0	89.8	0%
2.0	292.0	10%
4.0	494.2	10%
6.0	697.1	10%
8.0	900.1	10%
9.0	1000.0	10%

Mechanical stop at < 50 pF at ~ -2.5 turns
Mechanical stop at > 1000 pF at ~ 9.1 turns

Self inductance and resonance frequency



Special Features:

RoHS Compliant

Approved

By: _____

Date: _____

Company: _____

Subject to change without prior notice

Note: Technical information in Service Bulletins
SB-52 and SB-56 must be considered