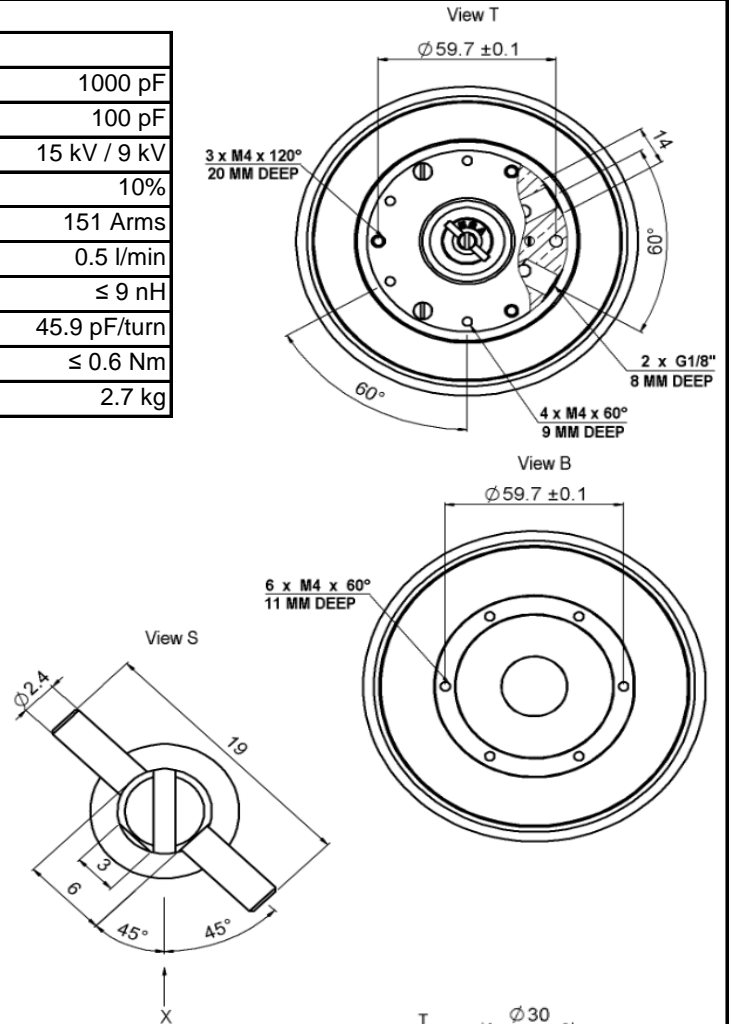
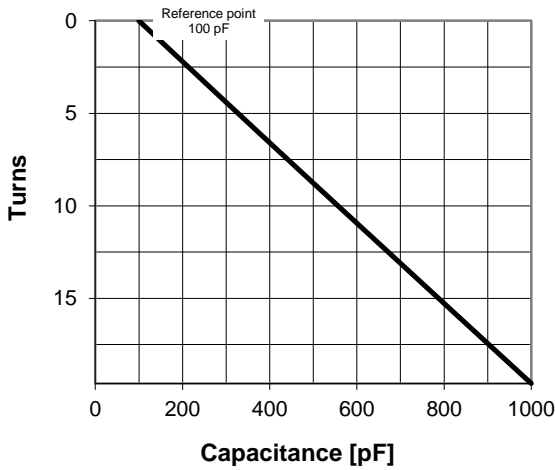


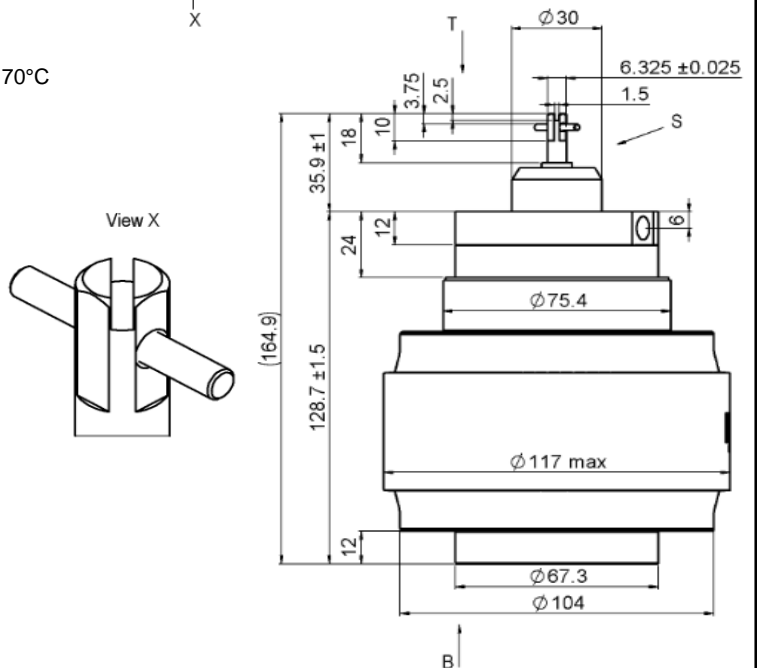
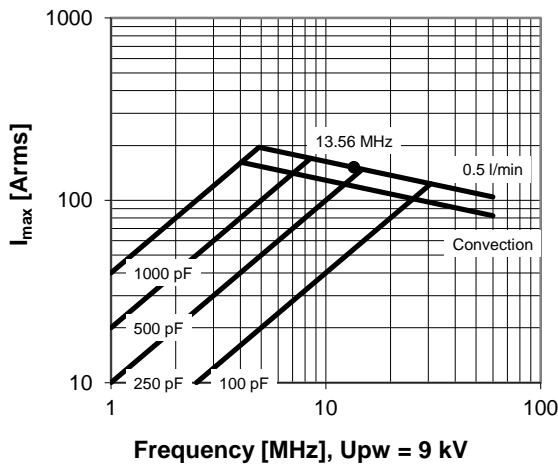
CVMX-1000AW/15-BUAC

Specifications

Capacitance C_{max} (nominal)	1000 pF
Capacitance C_{min} (nominal)	100 pF
Voltage (Peak Test U_{pt} / Peak Working U_{pw})	15 kV / 9 kV
Capacitance Tolerance (linear Range)	10%
Max. Current I_{max} at 13.56 MHz with	151 Arms
Water Cooling	0.5 l/min
Self Inductance	≤ 9 nH
Capacitance per turn	45.9 pF/turn
Torque	≤ 0.6 Nm
Net Weight	2.7 kg



I_{max} for 0.5 l/min water cooling; max. water temp. at inlet: 70°C



Subject to change without prior notice

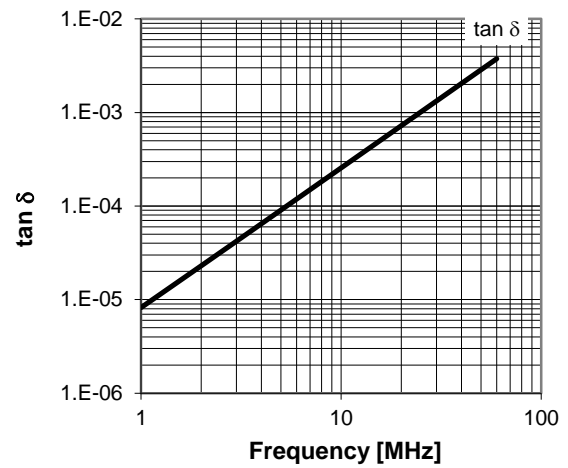
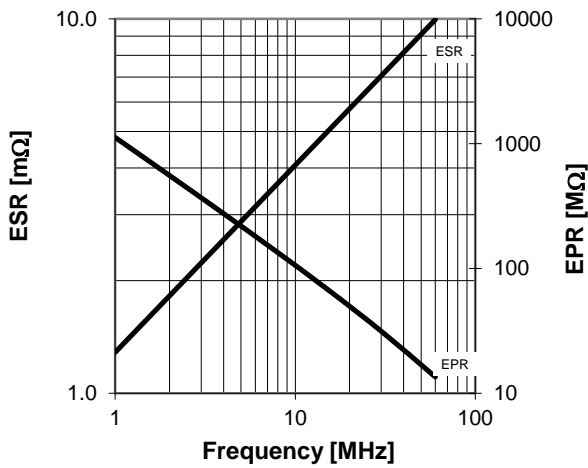
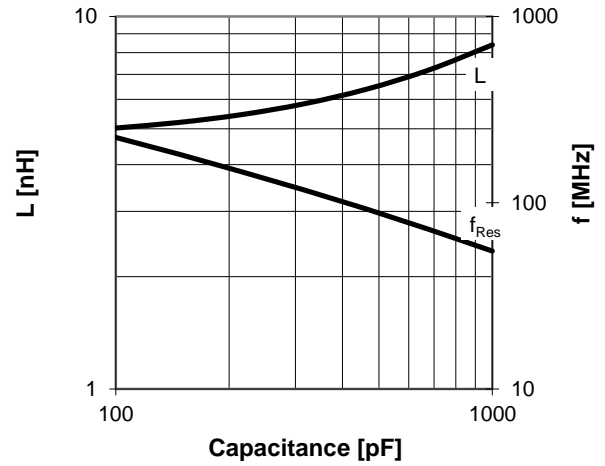
Note: Technical information in Service Bulletin
SB-52 must be considered

CVMX-1000AW/15-BUAC

Turns	Nominal Capacitance [pF]	Tolerance
0.0	100.0	0%
4.0	281.6	10%
8.0	464.5	10%
12.0	648.9	10%
16.0	833.4	10%
19.6	1000.0	10%

Mechanical stop at < 100 pF at ~ -0.6 turns
Mechanical stop at > 1000 pF at ~ 19.9 turns

Self inductance and resonance frequency



Special Features:

RoHS Compliant

Subject to change without prior notice

Note: Technical information in Service Bulletin
SB-52 must be considered