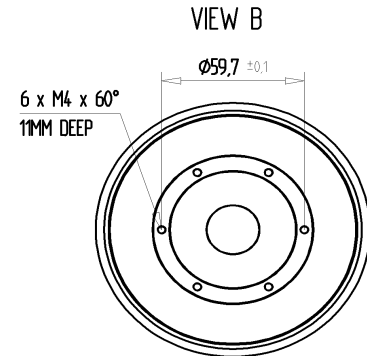
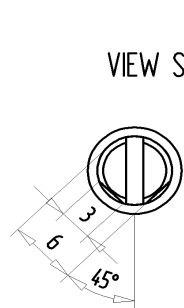
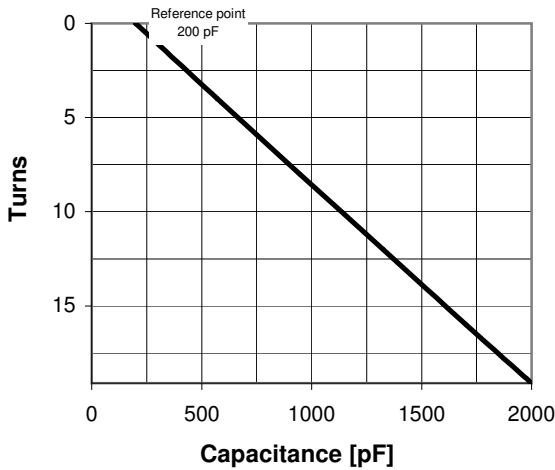
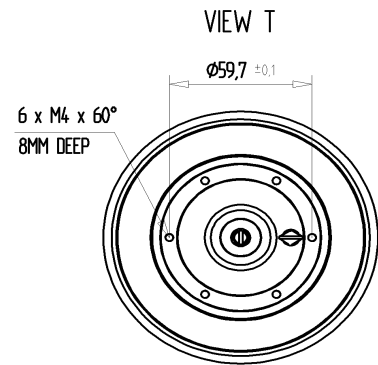
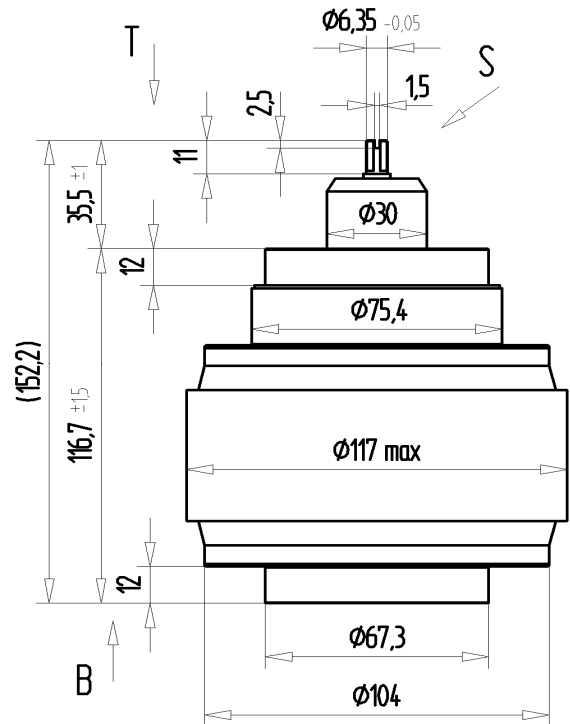
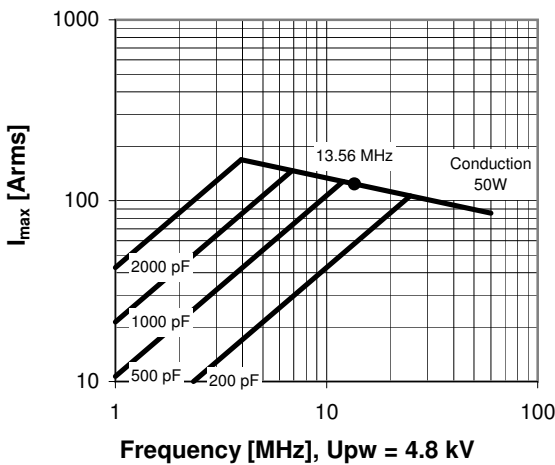


## CVMX-2000AC/8-BEAC

Specifications	
Capacity $C_{max}$ (nominal)	2000 pF
Capacity $C_{min}$ (nominal)	200 pF
Voltage (Peak Test $U_{pt}$ / Peak Working $U_{pw}$ )	8 kV / 4.8 kV
Capacity Tolerance (linear Range)	10%
Max. Current $I_{max}$ at 13.56 MHz with	123 Arms
Conduction Cooling	50 W
Self Inductance	$\leq 10$ nH
Capacitance per turn	94.2 pF/turn
Torque	$\leq 0.6$ Nm
Net Weight	2.4 kg



$I_{max}$  at 25°C ambient and 125°C surface temp. for convection and conduction (50 W) cooling



## CVMX-2000AC/8-BEAC

Turns	Nominal Capacitance [pF]	Tolerance
0.0	200.0	0%
4.0	570.7	10%
8.0	945.5	10%
12.0	1324.5	10%
16.0	1703.4	10%
19.1	2000.0	10%

Mechanical stop at < 200 pF at ~ -1.2 turns  
Mechanical stop at > 2000 pF at ~ 19.4 turns

Self inductance and resonance frequency

