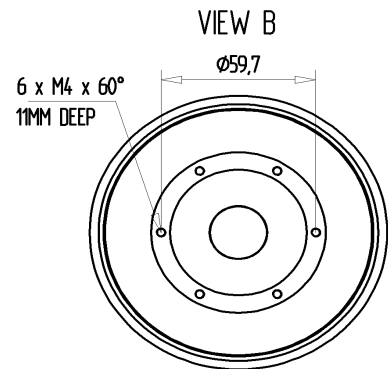
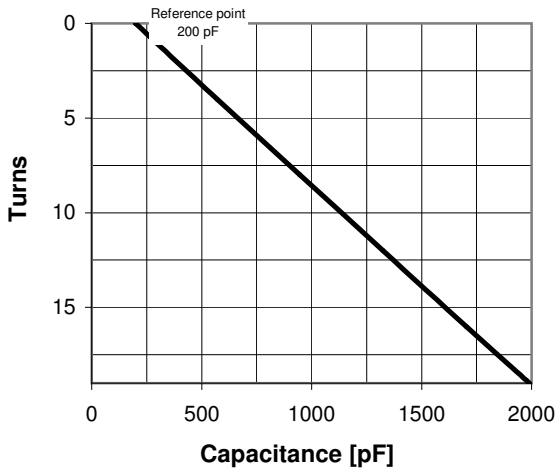
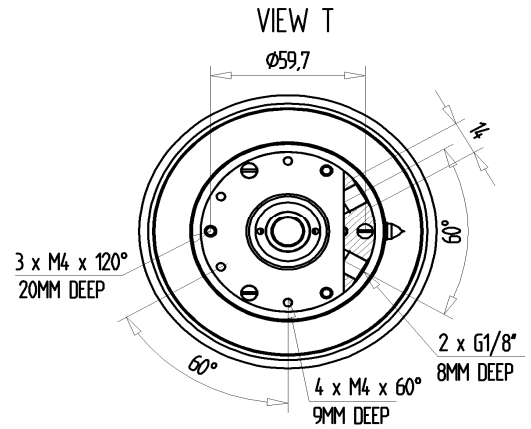


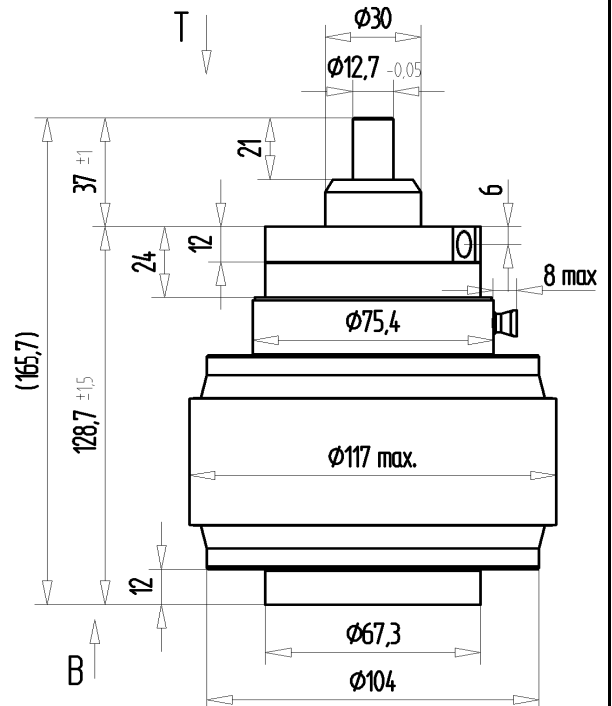
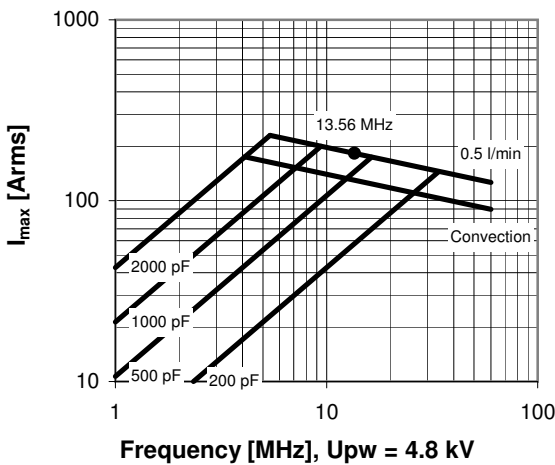
## CVMX-2000BW/8-AAAC-AJ

### Specifications

Capacity $C_{max}$ (nominal)	2000 pF
Capacity $C_{min}$ (nominal)	200 pF
Voltage (Peak Test $U_{pt}$ / Peak Working $U_{pw}$ )	8 kV / 4.8 kV
Capacity Tolerance (linear Range)	10%
Max. Current $I_{max}$ at 13.56 MHz with	182 Arms
Water Cooling	0.5 l/min
Self Inductance	$\leq 11$ nH
Capacitance per turn	94.2 pF/turn
Torque	$\leq 0.6$ Nm
Net Weight	2.8 kg



$I_{max}$  for 0.5 l/min water cooling; max. water temp. at inlet: 70 °C



Subject to change without prior notice

Note: Technical information in Service Bulletin SB-52 must be considered

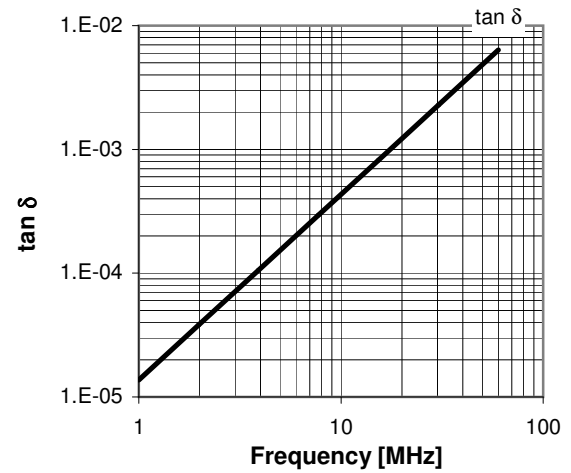
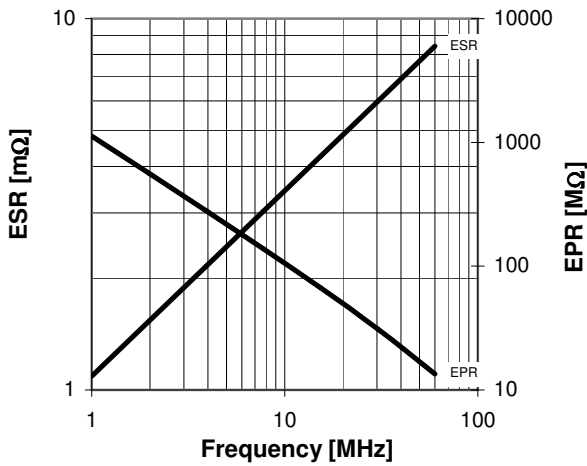
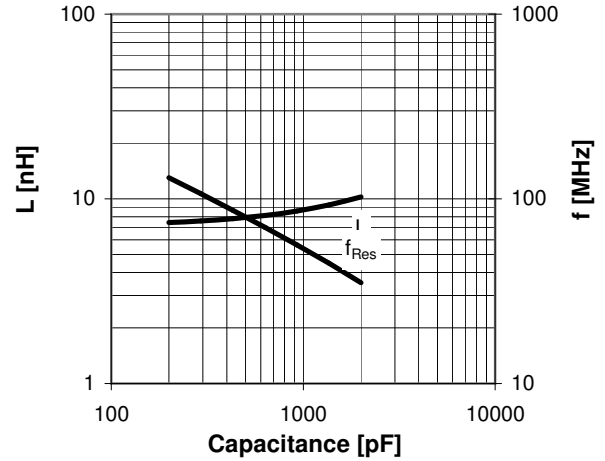
Issue: 04-Feb-2010

## CVMX-2000BW/8-AAAC-AJ

Turns	Nominal Capacitance [pF]	Tolerance
0.0	200.0	0%
4.0	570.7	10%
8.0	945.5	10%
12.0	1324.5	10%
16.0	1703.4	10%
19.1	2000.0	10%

Slamindex at 200 +/- 5 pF at 0 +/- 0.2 turns  
Mechanical stop at > 2000 pF at ~ 19.4 turns

Self inductance and resonance frequency



**Special Features:**

Slam Index, Special Bellows, RoHS Compliant

Subject to change without prior notice

Note: Technical information in Service Bulletin  
SB-52 must be considered

Issue: 04-Feb-2010