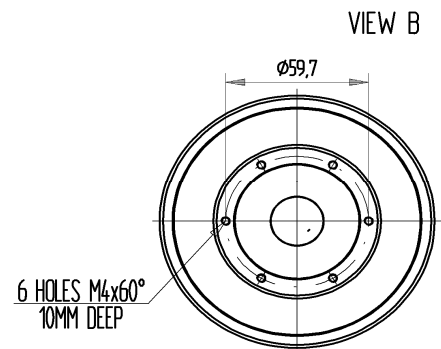
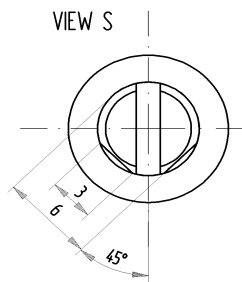
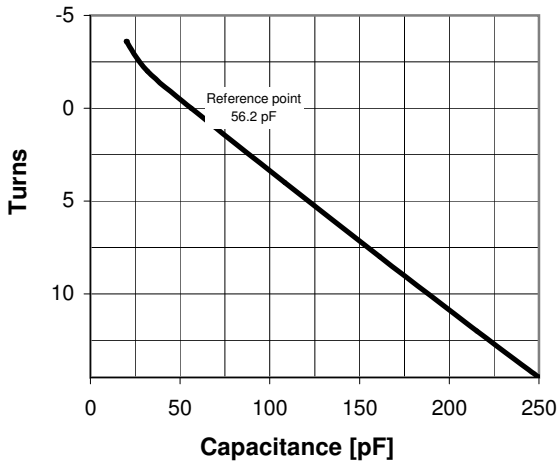
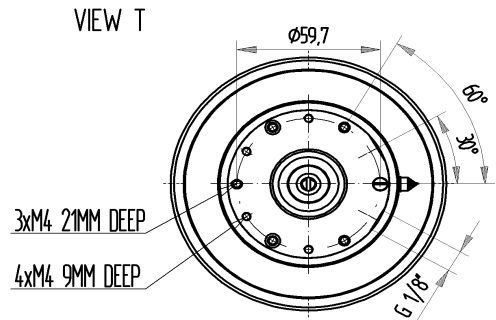
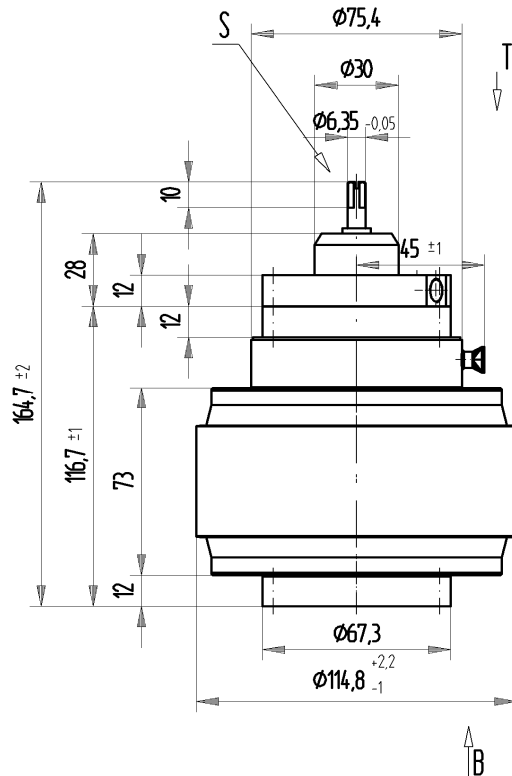
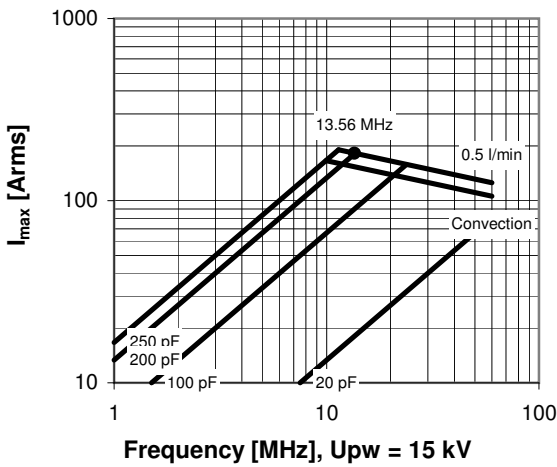


CVMX-250AW/25-BEAC-J1

| Specifications | |
|---|---------------|
| Capacity C_{max} (nominal) | 250 pF |
| Capacity C_{min} (nominal) | 20 pF |
| Voltage (Peak Test U_{pt} / Peak Working U_{pw}) | 25 kV / 15 kV |
| Capacity Tolerance (linear Range) | 10% |
| Max. Current I_{max} at 13.56 MHz with | 181 Arms |
| Water Cooling | 0.5 l/min |
| Self Inductance | ≤ 6 nH |
| Capacitance per turn | 13.4 pF/turn |
| Torque | ≤ 0.6 Nm |
| Net Weight | 2.4 kg |



I_{max} for 0.5 l/min water cooling; max. water temp. at inlet: 70°C



Subject to change without prior notice

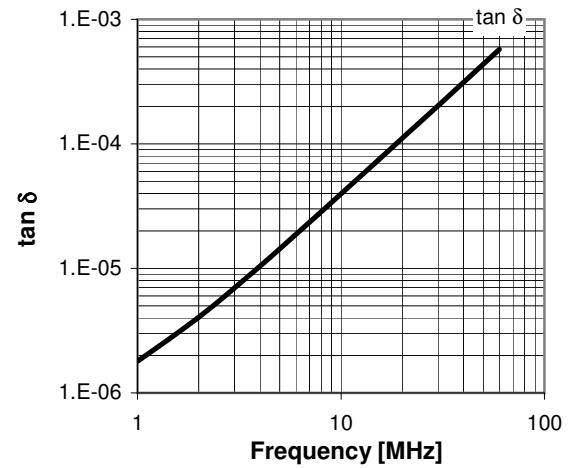
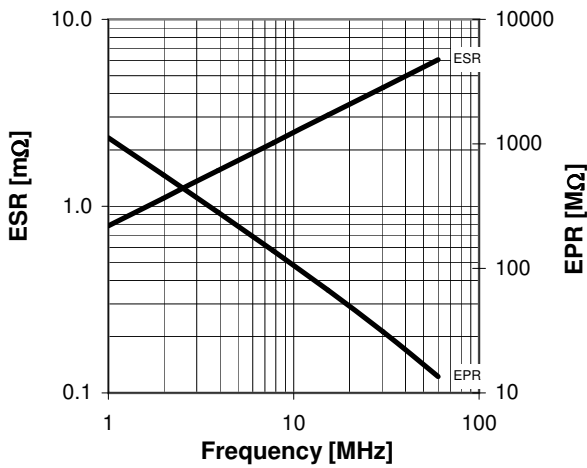
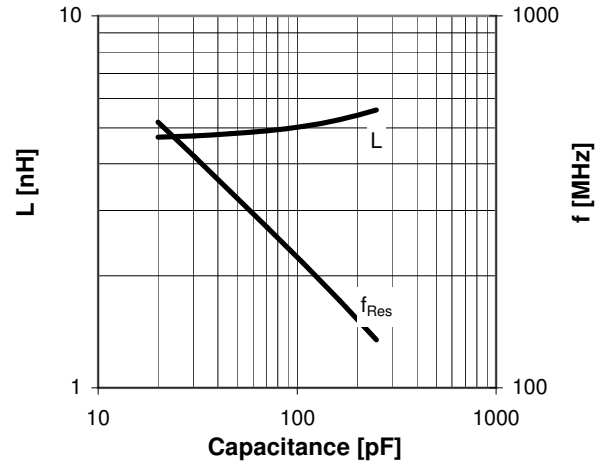
Note: Technical information in Service Bulletin SB-52 must be considered

CVMX-250AW/25-BEAC-J1

| Turns | Nominal Capacitance [pF] | Tolerance |
|-------|--------------------------|-----------|
| -3.6 | 20.0 | 10% |
| -2.0 | 31.7 | 10% |
| 0.0 | 56.2 | 0% |
| 4.0 | 108.3 | 10% |
| 8.0 | 161.4 | 10% |
| 12.0 | 215.4 | 10% |
| 14.5 | 250.0 | 10% |

Mechanical stop at < 20 pF at ~ -10.7 turns
Mechanical stop at > 250 pF at ~ 14.9 turns

Self inductance and resonance frequency



Special Features:

Special Bellows, RoHS Compliant

Subject to change without prior notice

Note: Technical information in Service Bulletin
SB-52 must be considered