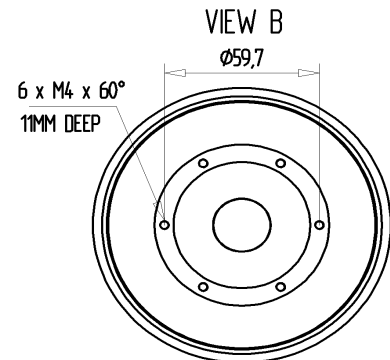
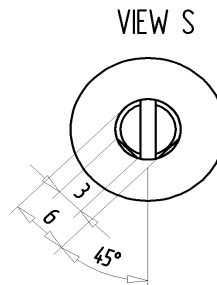
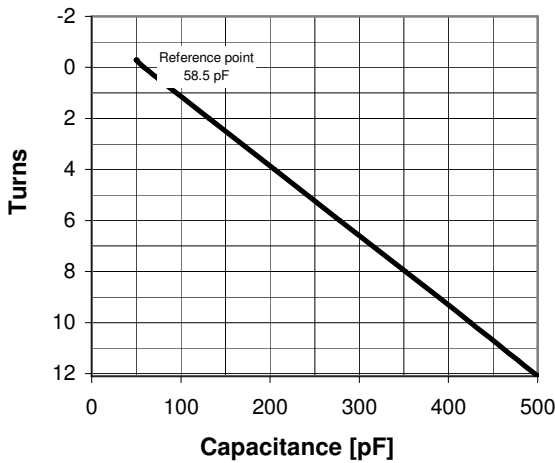
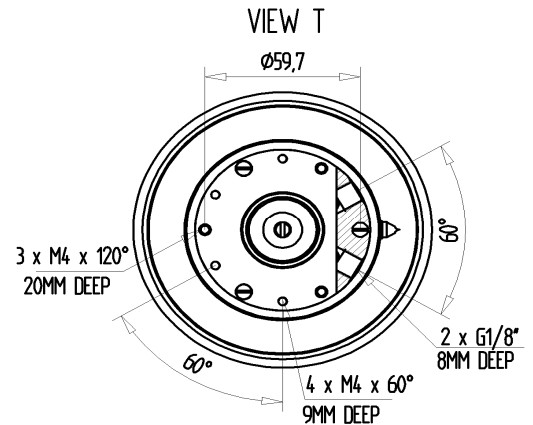


## CVMX-500AW/25-BEUA-J

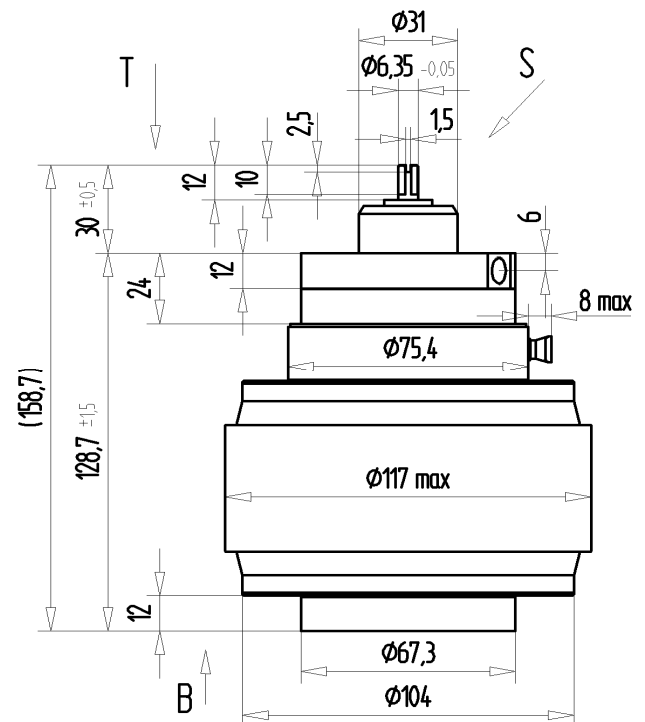
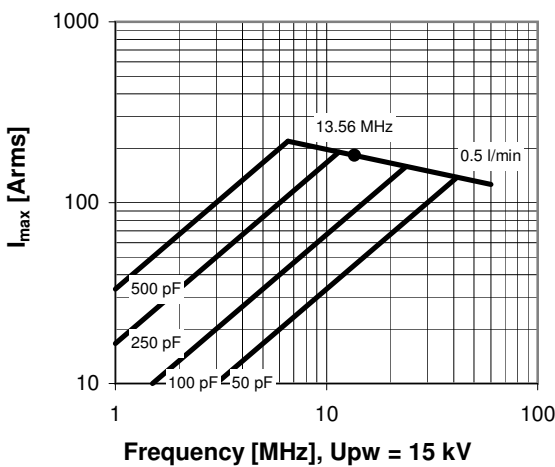
Old Type Designation: CV1W-500L

### Specifications

Capacity $C_{max}$ (nominal)	500 pF
Capacity $C_{min}$ (nominal)	50 pF
Voltage (Peak Test $U_{pt}$ / Peak Working $U_{pw}$ )	25 kV / 15 kV
Capacity Tolerance (linear Range)	10%
Max. Current $I_{max}$ at 13.56 MHz with	182 Arms
Water Cooling	0.5 l/min
Self Inductance	$\leq 7$ nH
Capacitance per turn	36.5 pF/turn
Torque	$\leq 0.6$ Nm
Net Weight	2.8 kg



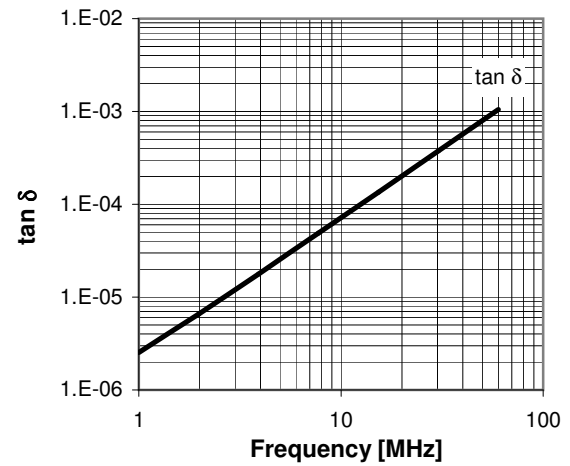
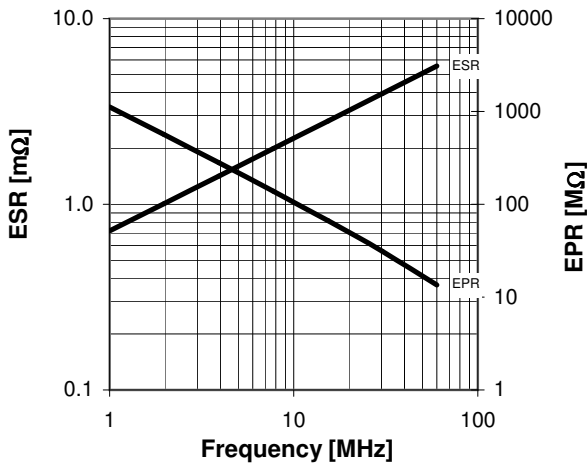
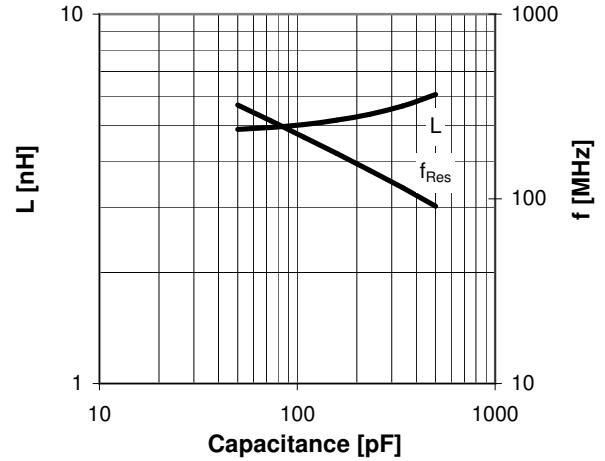
$I_{max}$  for 0.5 l/min water cooling; max. water temp. at inlet: 70 °C



Turns	Nominal Capacitance [pF]	Tolerance
-0.3	50.0	10%
0.0	58.5	0%
2.0	131.8	10%
4.0	205.1	10%
6.0	278.3	10%
8.0	351.6	10%
10.0	424.9	10%
12.1	500.0	10%

Mechanical stop at < 50 pF at ~ -1 turns  
Mechanical stop at > 500 pF at ~ 12.1 turns

Self inductance and resonance frequency



**Special Features:**

Special Bellows