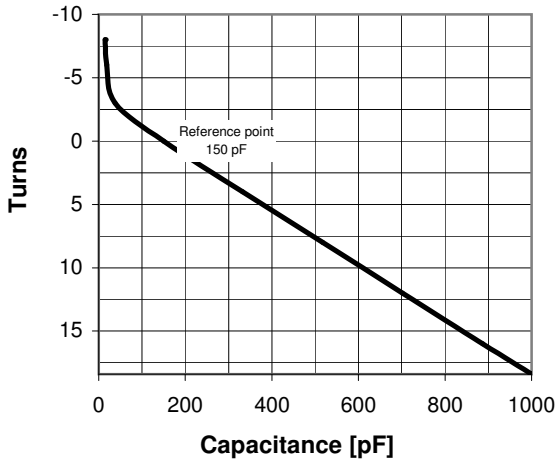
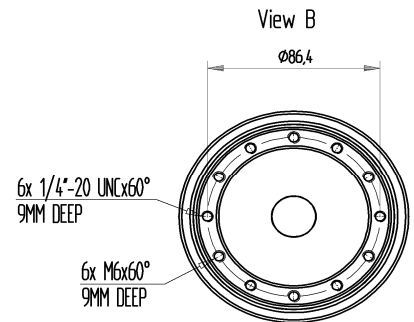
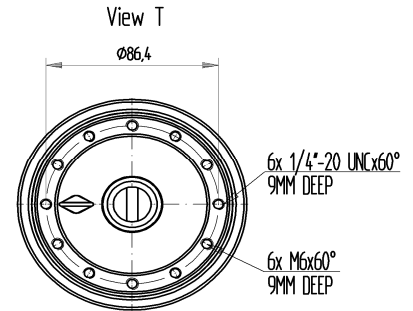
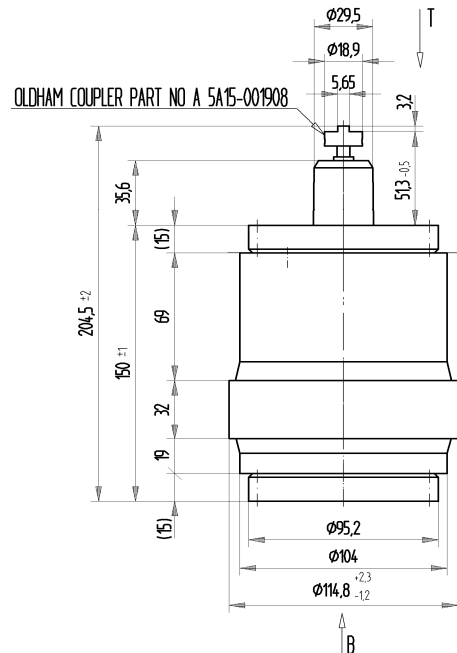
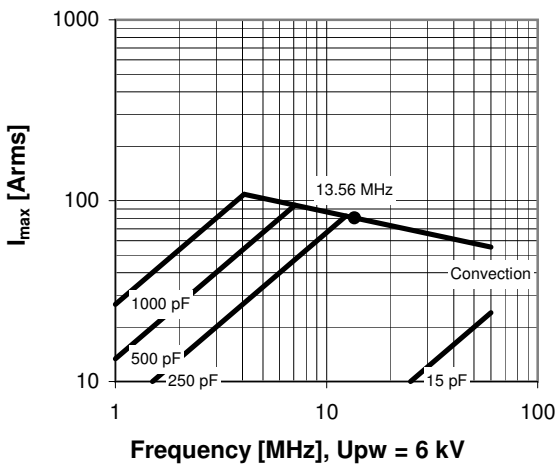


CVNA-1000DC/10-EKAA-F

Specifications	
Capacity C_{max} (nominal)	1000 pF
Capacity C_{min} (nominal)	15 pF
Voltage (Peak Test U_{pt} / Peak Working U_{pw})	10 kV / 6 kV
Capacity Tolerance (linear Range)	3%
Max. Current I_{max} at 13.56 MHz	80 Arms
Self Inductance	≤ 18 nH
Capacitance per turn	46.2 pF/turn
Torque	≤ 0.3 Nm
Net Weight	3 kg



I_{max} at 25°C ambient and 125°C surface temp. for convection cooling



Subject to change without prior notice

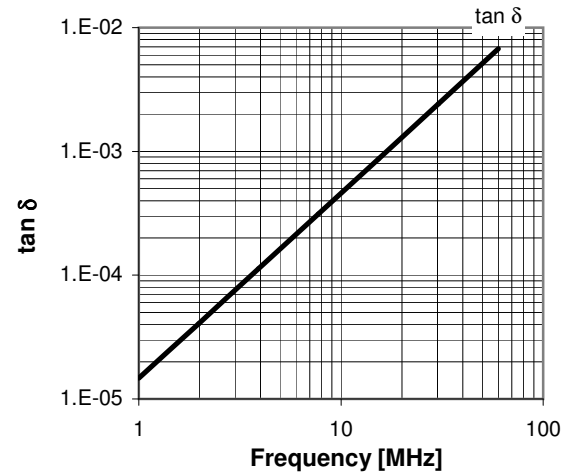
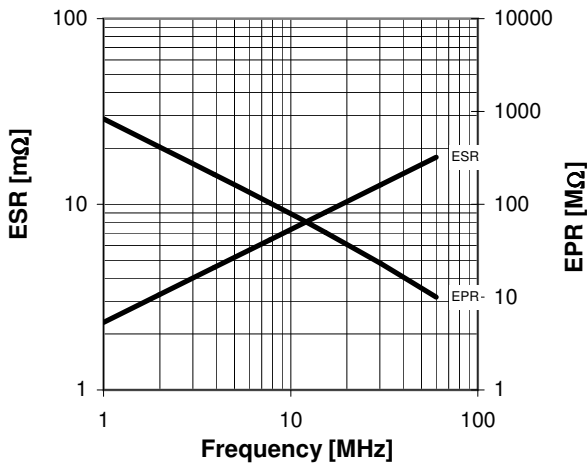
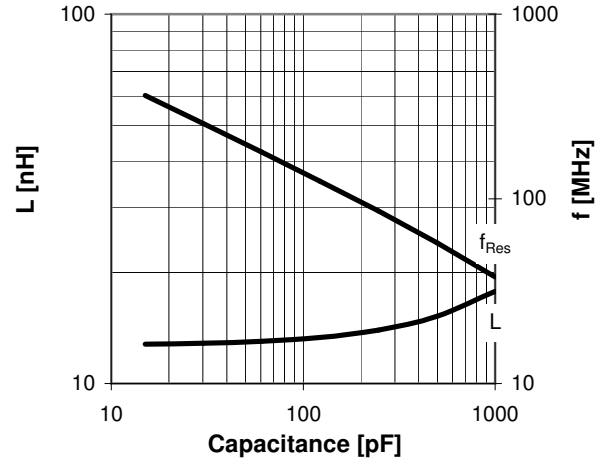
Note: Technical information in Service Bulletin SB-52 must be considered

CVNA-1000DC/10-EKAA-F

Turns	Nominal Capacitance [pF]	Tolerance
-8.0	15.0	5%
-6.0	18.6	5%
-3.0	37.6	5%
0.0	150.0	0%
4.0	331.9	3%
8.0	516.9	3%
12.0	701.9	3%
16.0	886.9	3%
18.4	1000.0	3%

Mechanical stop at < 15 pF at ~ -12.5 turns
Mechanical stop at > 1000 pF at ~ 18.7 turns

Self inductance and resonance frequency



Special Features:

Capacity Tolerance 3%

Subject to change without prior notice

Note: Technical information in Service Bulletin
SB-52 must be considered