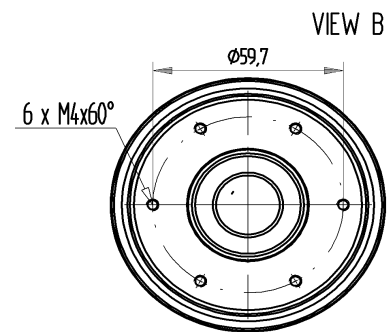
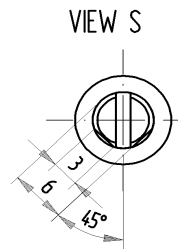
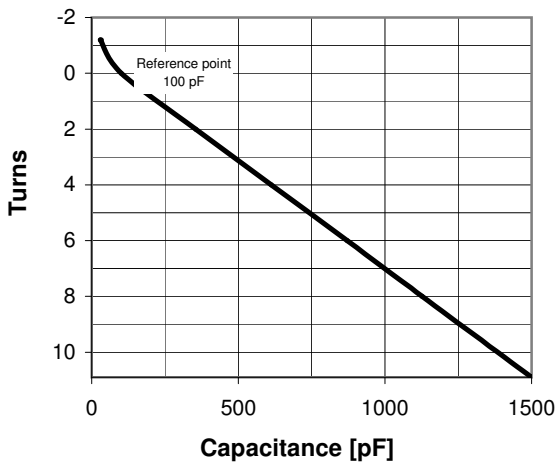
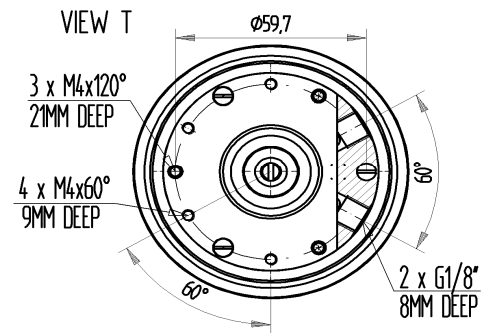
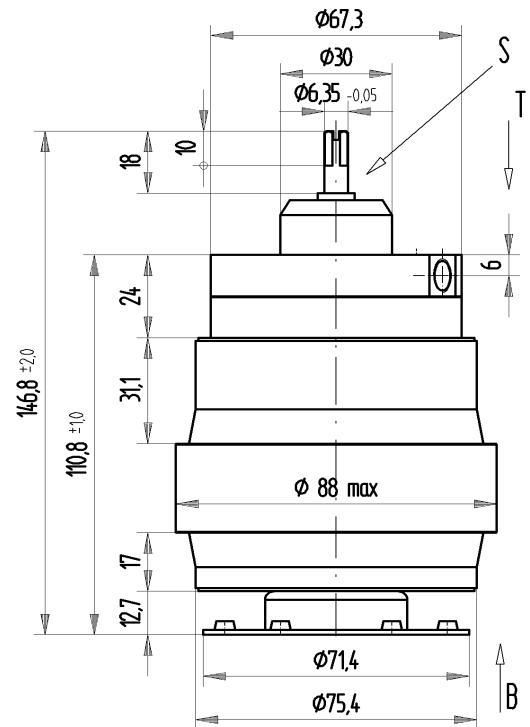
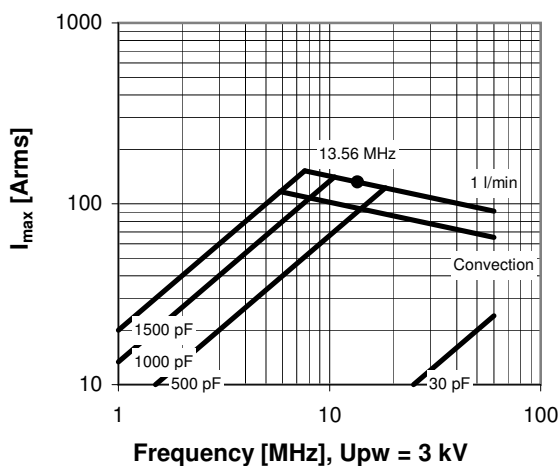


CVPO-1500AW/5-BEAA-L

Specifications	
Capacity C_{max} (nominal)	1500 pF
Capacity C_{min} (nominal)	30 pF
Voltage (Peak Test U_{pt} / Peak Working U_{pw})	5 kV / 3 kV
Capacity Tolerance (linear Range)	10%
Max. Current I_{max} at 13.56 MHz with	131 Arms
Water Cooling	1 l/min
Self Inductance	≤ 7 nH
Capacitance per turn	128.4 pF/turn
Torque	≤ 0.4 Nm
Net Weight	1.7 kg



I_{max} for 1 l/min water cooling; max. water temp. at inlet: 70 °C

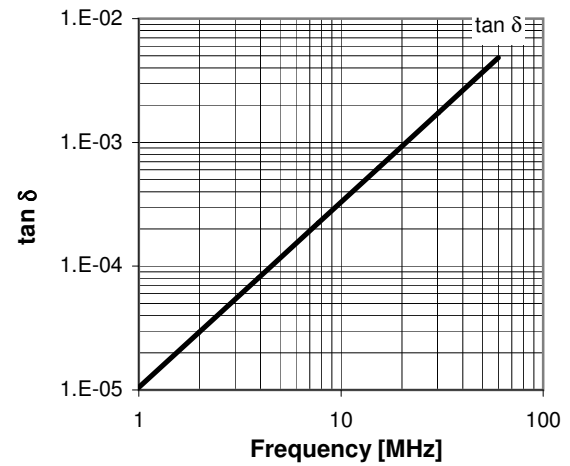
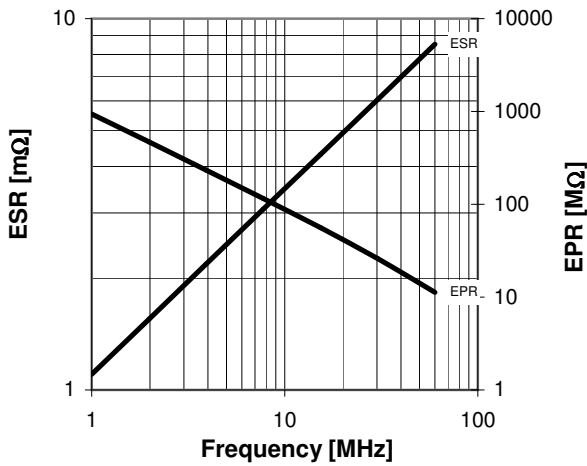
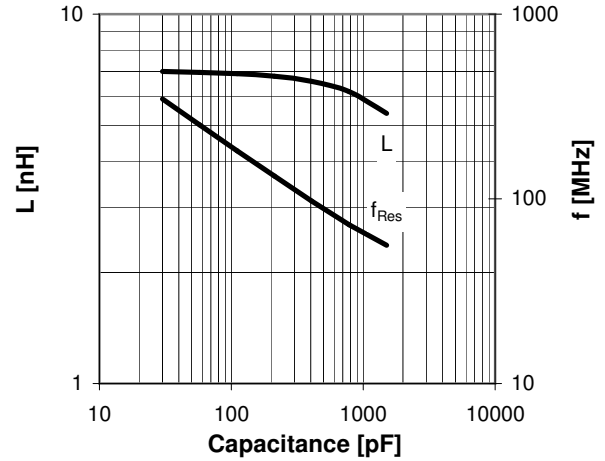


CVPO-1500AW/5-BEAA-L

Turns	Nominal Capacitance [pF]	Tolerance
-1.2	30.0	10%
0.0	100.0	0%
2.0	355.2	10%
4.0	612.9	10%
6.0	870.9	10%
8.0	1126.7	10%
10.9	1500.0	10%

Mechanical stop at < 30 pF at ~ -4.8 turns
Mechanical stop at > 1500 pF at ~ 11.1 turns

Self inductance and resonance frequency



Special Features:

Integrated Flange

Type Ordering Information:

CVPO-1500AW/5-BEAA-L

Upt

5 kV