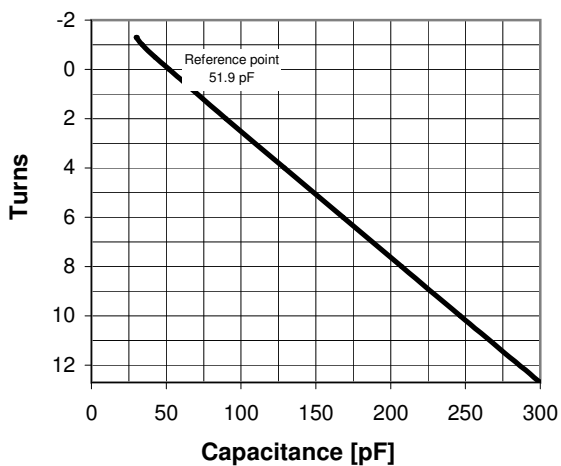
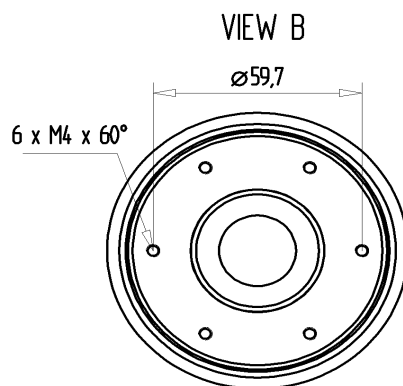
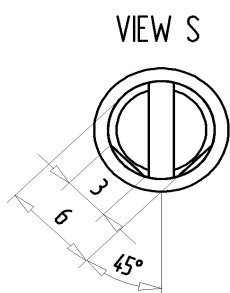
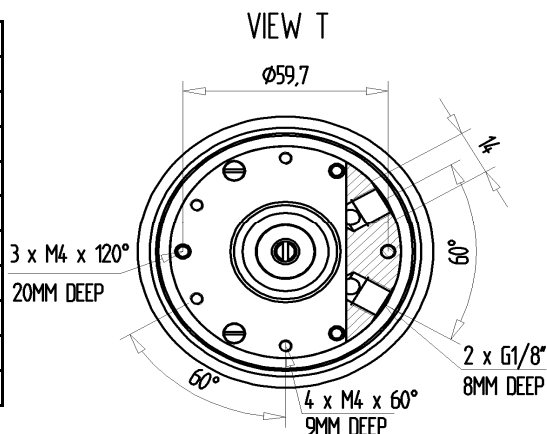


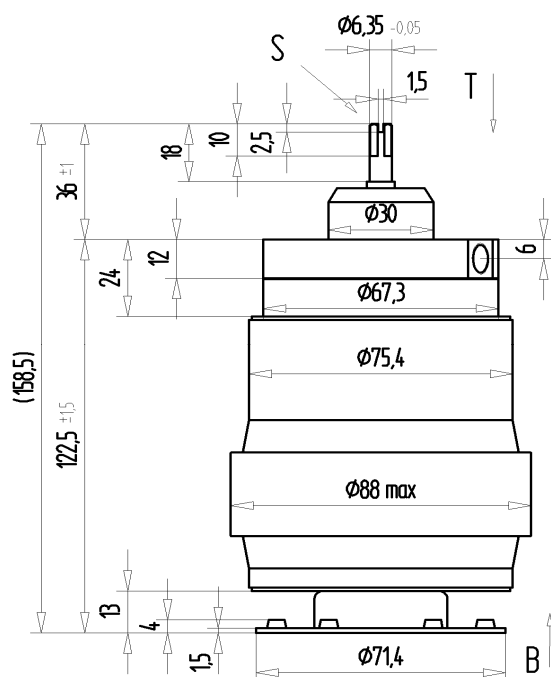
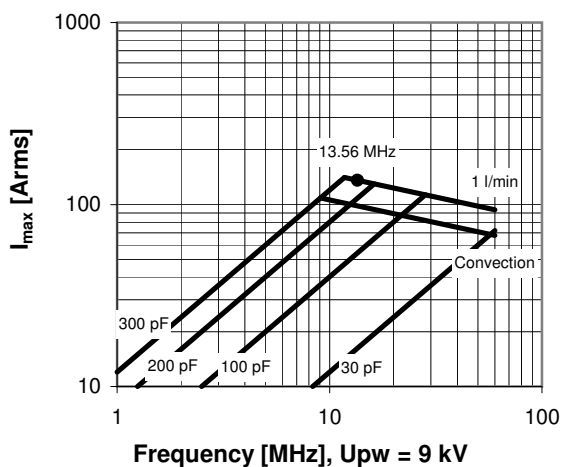
CVPO-300AW/15-BECA-L

Old Type Designation: CV1W-300EN

Specifications	
Capacity C_{max} (nominal)	300 pF
Capacity C_{min} (nominal)	30 pF
Voltage (Peak Test U_{pt} / Peak Working U_{pw})	15 kV / 9 kV
Capacity Tolerance (linear Range)	10%
Max. Current I_{max} at 13.56 MHz with	135 Arms
Water Cooling	1 l/min
Self Inductance	≤ 5 nH
Capacitance per turn	19.5 pF/turn
Torque	≤ 0.4 Nm
Net Weight	1.7 kg



I_{max} for 1 l/min water cooling; max. water temp. at inlet: 70 °C



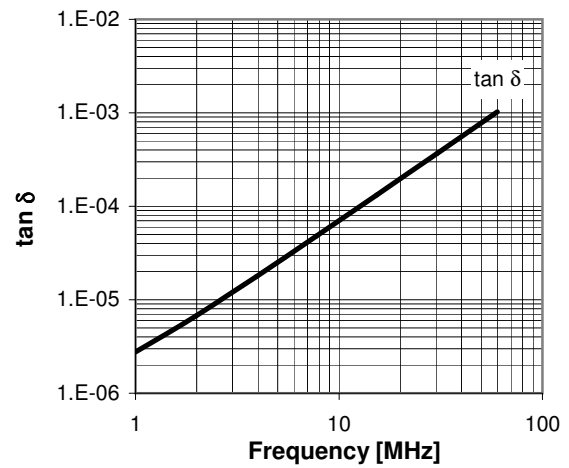
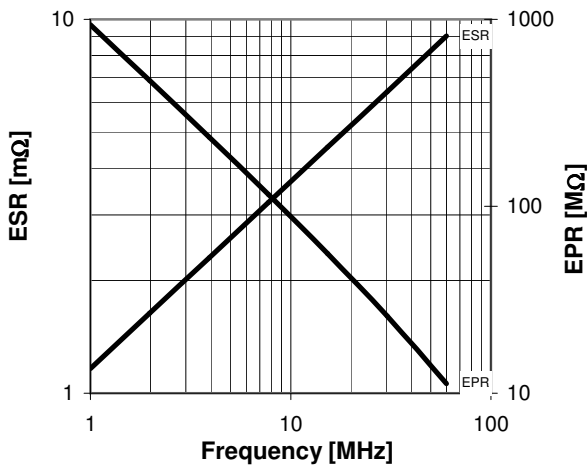
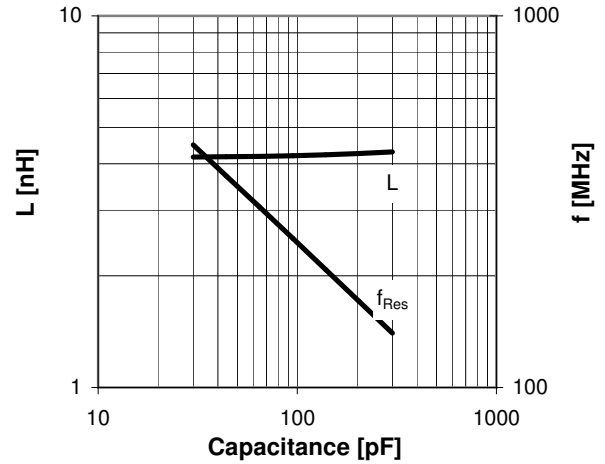
Subject to change without prior notice

Note: Technical information in Service Bulletin SB-52 must be considered

Turns	Nominal Capacitance [pF]	Tolerance
-1.3	30.0	10%
-1.0	34.1	10%
-0.5	42.6	10%
0.0	51.9	0%
2.0	89.9	10%
4.0	129.1	10%
6.0	168.2	10%
8.0	207.3	10%
10.0	246.4	10%
12.7	300.0	10%

Mechanical stop at < 30 pF at ~ -9.4 turns
 Mechanical stop at > 300 pF at ~ 13.1 turns

Self inductance and resonance frequency



Special Features:

Integrated Flange

Subject to change without prior notice

Note: Technical information in Service Bulletin
 SB-52 must be considered