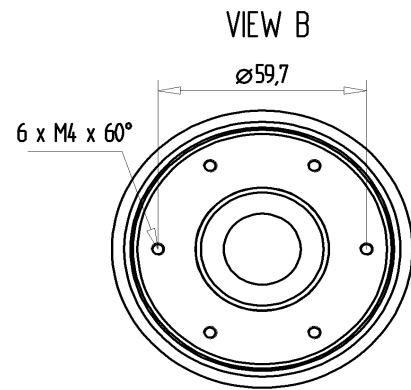
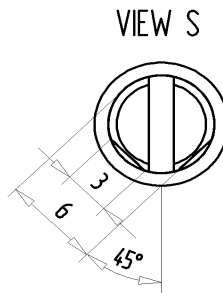
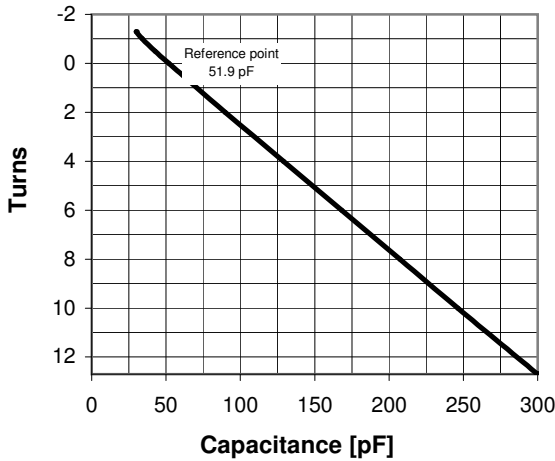
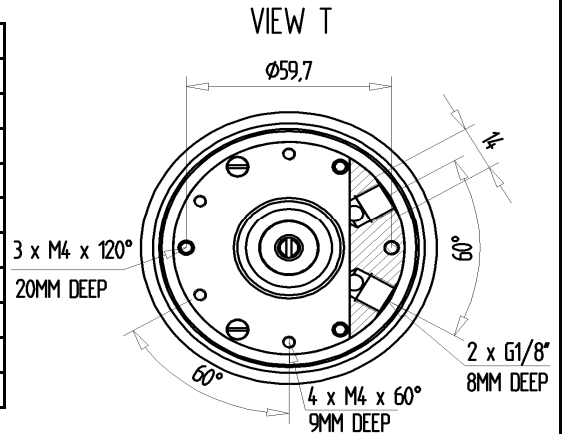


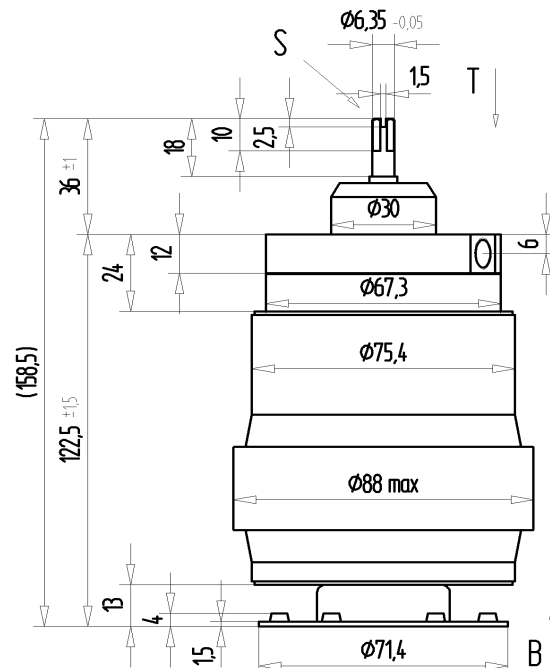
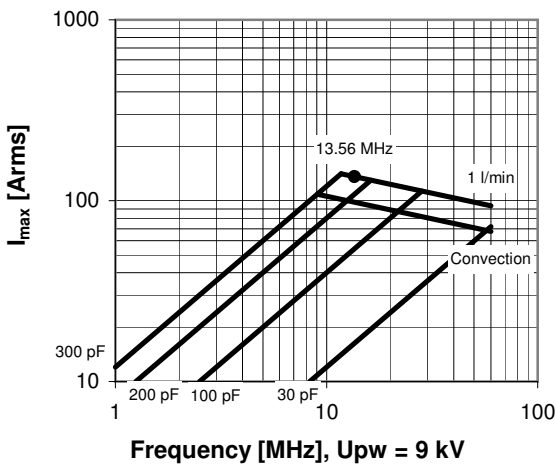
## CVPO-300AW/15-BECL-L

### Specifications

|   |               |
|---|---------------|
| Capacity $C_{max}$ (nominal)                          | 300 pF        |
| Capacity $C_{min}$ (nominal)                          | 30 pF         |
| Voltage (Peak Test $U_{pt}$ / Peak Working $U_{pw}$ ) | 15 kV / 9 kV  |
| Capacity Tolerance (linear Range)                     | 10%           |
| Max. Current $I_{max}$ at 13.56 MHz with              | 136 Arms      |
| Water Cooling   | 1 l/min       |
| Self Inductance                                       | $\leq 5$ nH   |
| Capacitance per turn                                  | 19.5 pF/turn  |
| Torque  | $\leq 0.4$ Nm |
| Net Weight  | 1.7 kg        |



$I_{max}$  for 1 l/min water cooling; max. water temp. at inlet: 70 °C



Subject to change without prior notice

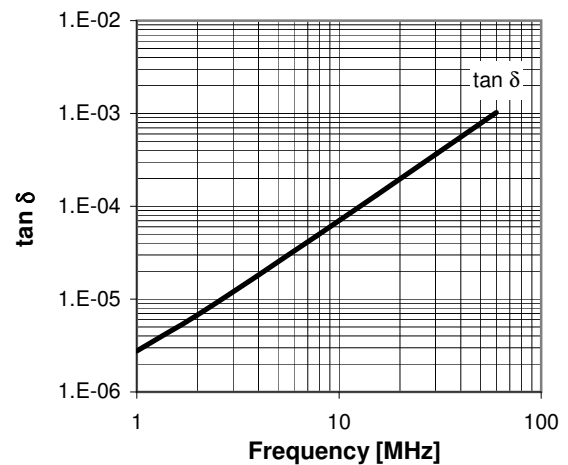
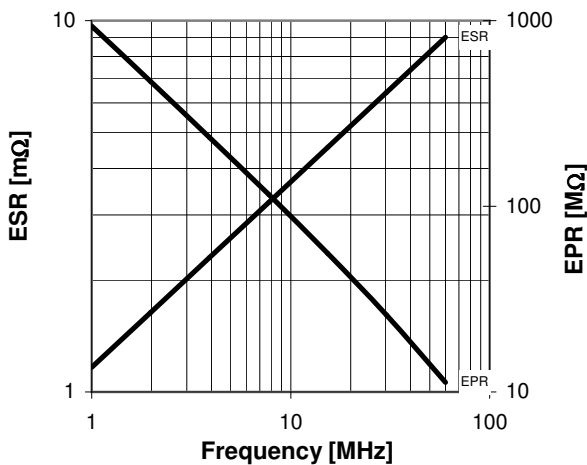
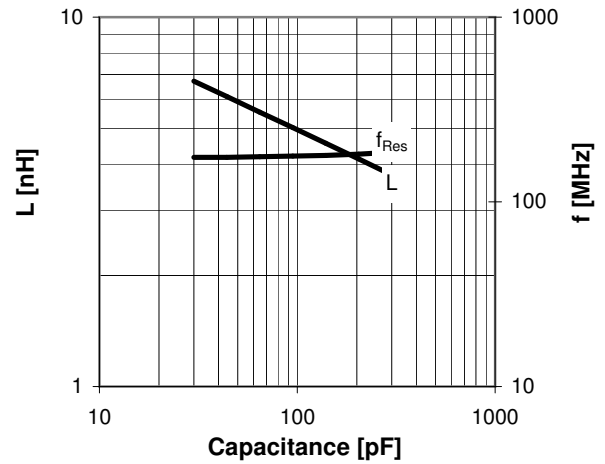
Note: Technical information in Service Bulletin  
SB-52 must be considered

## CVPO-300AW/15-BECL-L

| Turns | Nominal Capacitance [pF] | Tolerance |
|-------|--------------------------|-----------|
| -1.3  | 30.0                     | 10%       |
| -1.0  | 34.1                     | 10%       |
| -0.5  | 42.6                     | 10%       |
| 0.0   | 51.9                     | 0%        |
| 2.0   | 89.9                     | 10%       |
| 4.0   | 129.1                    | 10%       |
| 6.0   | 168.2                    | 10%       |
| 8.0   | 207.3                    | 10%       |
| 10.0  | 246.4                    | 10%       |
| 12.7  | 300.0                    | 10%       |

Mechanical stop at < 30 pF at ~ -9.4 turns  
Mechanical stop at > 300 pF at ~ 13.1 turns

Self inductance and resonance frequency



**Special Features:**

Integrated Flange, RoHS Compliant

Subject to change without prior notice

Note: Technical information in Service Bulletin  
SB-52 must be considered