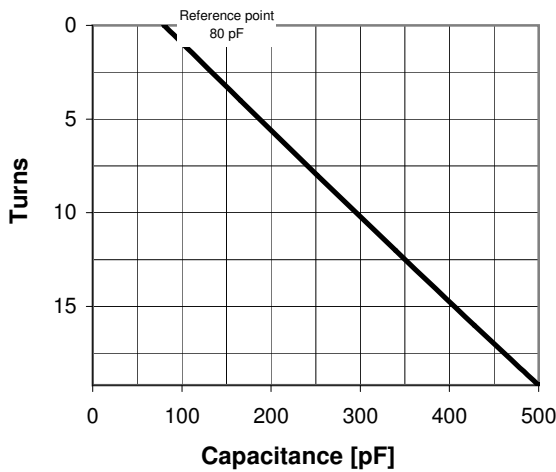
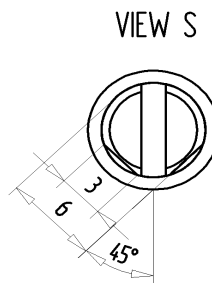
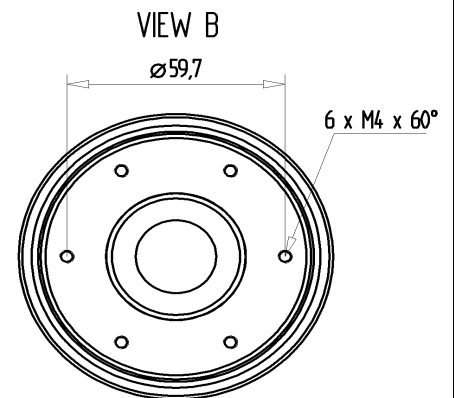
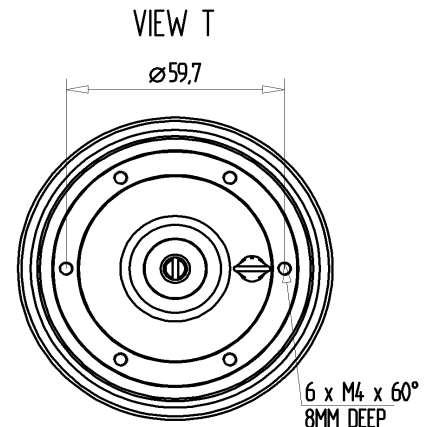


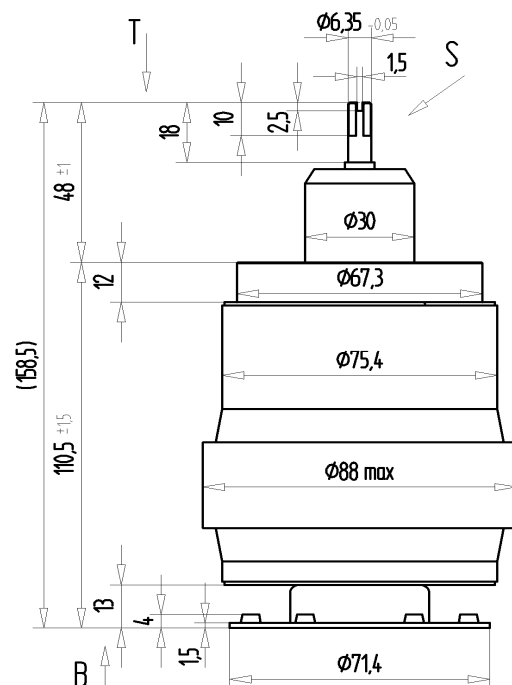
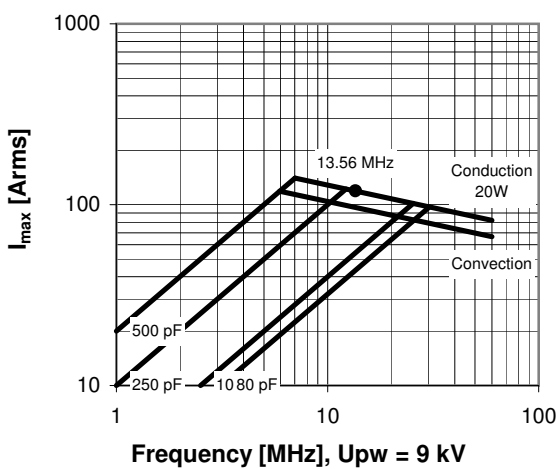
CVPO-500AC/15-BEC-L

Old Type Designation: CV1C-500S

Specifications	
Capacity C_{max} (nominal)	500 pF
Capacity C_{min} (nominal)	80 pF
Voltage (Peak Test U_{pt} / Peak Working U_{pw})	15 kV / 9 kV
Capacity Tolerance (linear Range)	10%
Max. Current I_{max} at 13.56 MHz with	118 Arms
Conduction Cooling	20 W
Self Inductance	≤ 6 nH
Capacitance per turn	21.9 pF/turn
Torque	≤ 0.4 Nm
Net Weight	1.4 kg



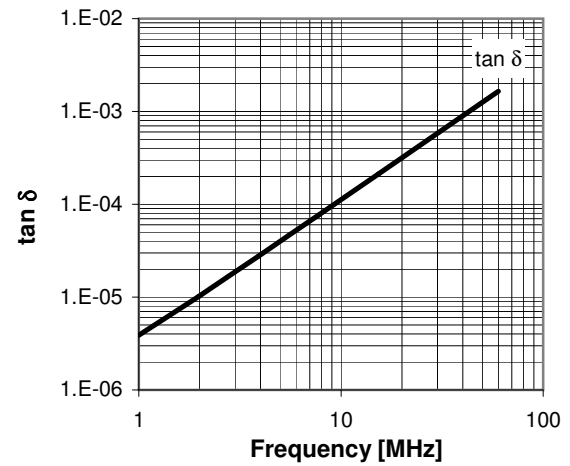
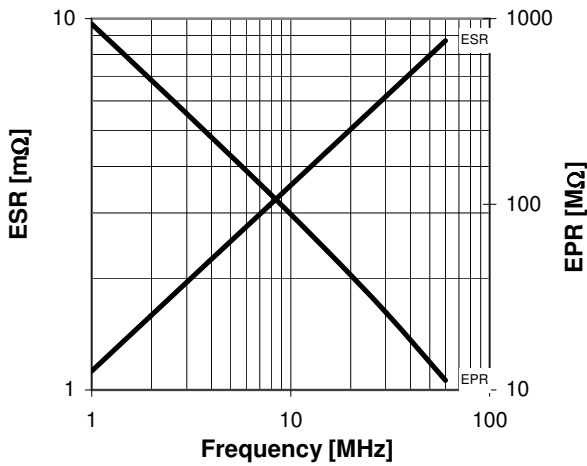
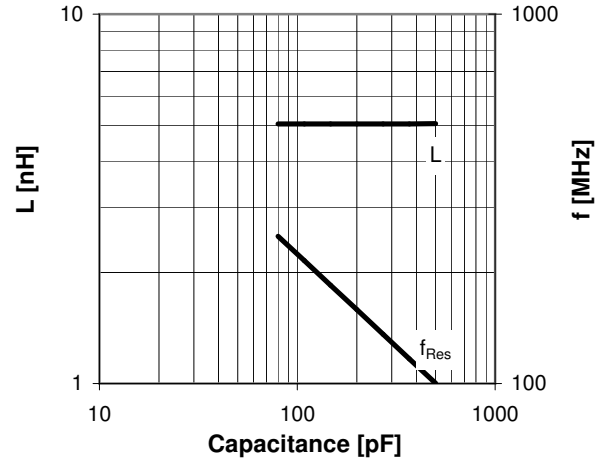
I_{max} at 25°C ambient and 125°C surface temp. for convection and conduction (20 W) cooling



Turns	Nominal Capacitance [pF]	Tolerance
0.0	80.0	0%
4.0	165.3	10%
8.0	251.7	10%
12.0	339.7	10%
16.0	427.7	10%
19.2	500.0	10%

Mechanical stop at < 80 pF at ~ -0.9 turns
Mechanical stop at > 500 pF at ~ 19.5 turns

Self inductance and resonance frequency



Special Features:

Integrated Flange