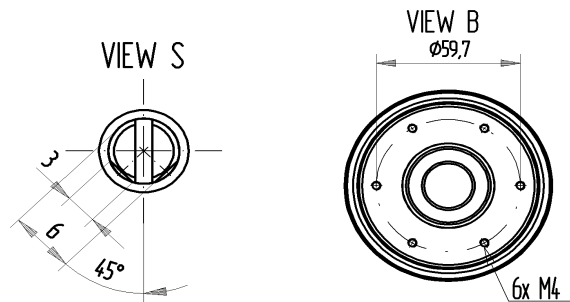
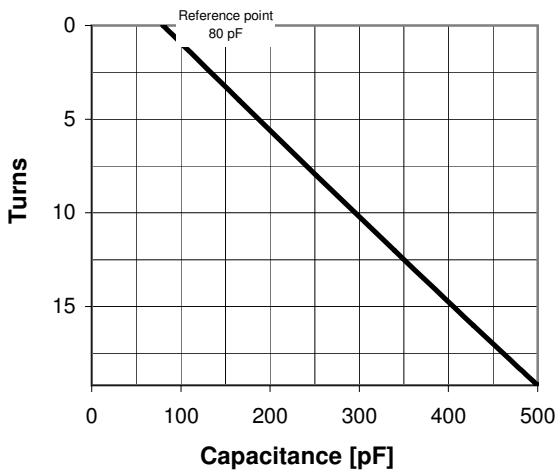
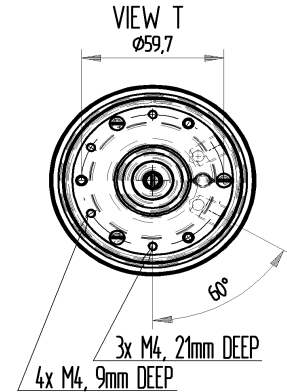


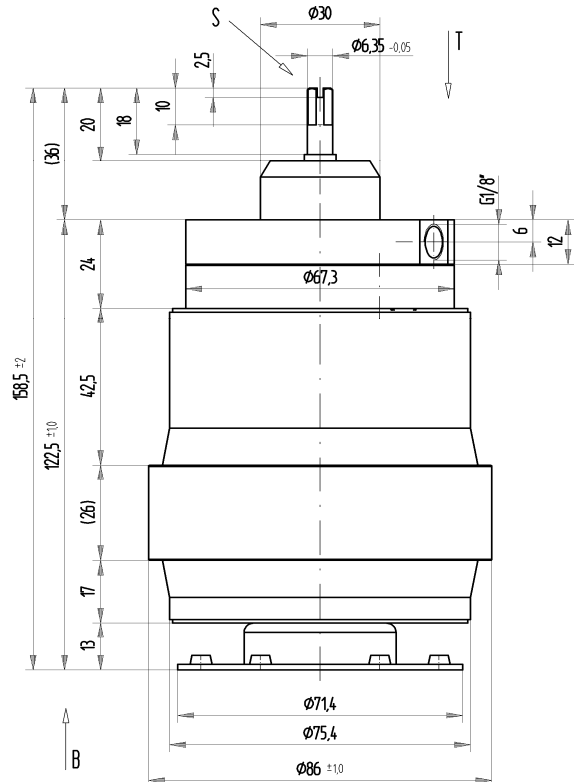
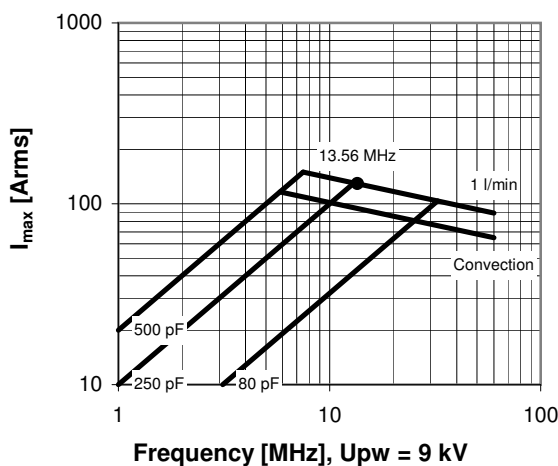
## CVPO-500AW/15-BECA-L

Old Type Designation: CV1W-500GN

Specifications	
Capacity $C_{max}$ (nominal)	500 pF
Capacity $C_{min}$ (nominal)	80 pF
Voltage (Peak Test $U_{pt}$ / Peak Working $U_{pw}$ )	15 kV / 9 kV
Capacity Tolerance (linear Range)	10%
Max. Current $I_{max}$ at 13.56 MHz with	129 Arms
Water Cooling	1 l/min
Capacitance per turn	21.9 pF/turn
Torque	$\leq 0.4$ Nm
Net Weight	1.6 kg



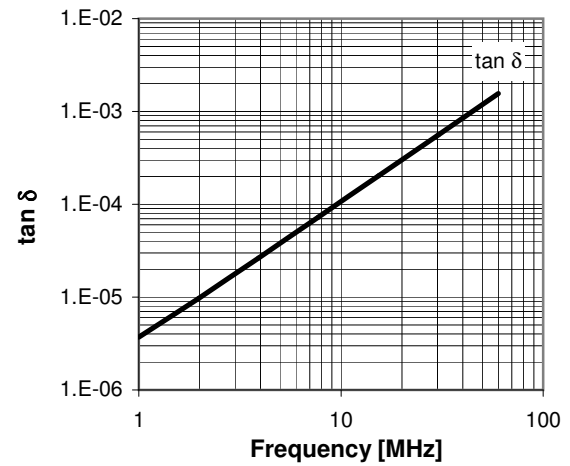
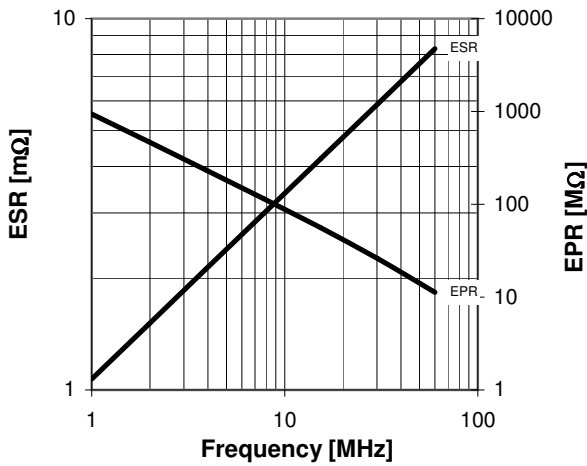
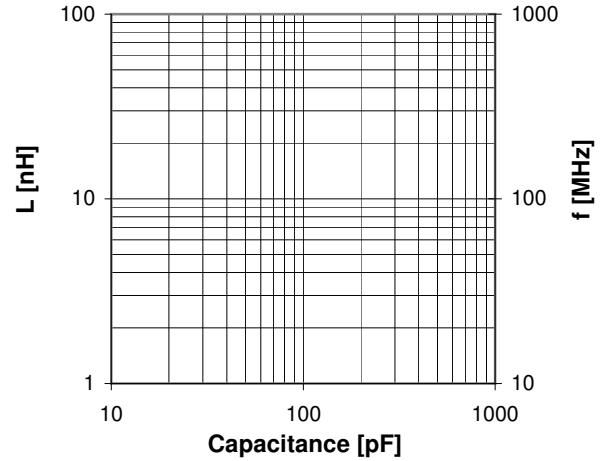
$I_{max}$  for 1 l/min water cooling; max. water temp. at inlet: 70 °C



Turns	Nominal Capacitance [pF]	Tolerance
0.0	80.0	0%
4.0	165.3	10%
8.0	251.7	10%
12.0	339.7	10%
16.0	427.7	10%
19.2	500.0	10%

Mechanical stop at < 80 pF at ~ -0.9 turns  
Mechanical stop at > 500 pF at ~ 19.5 turns

Self inductance and resonance frequency



**Special Features:**

Integrated Flange

**Type Ordering Information:**

Type	Upt
CVPO-500AW/15-BECA-L	15 kV
CVPO-500AW/10-BECA-L	10 kV
CVPO-500AW/7.5-BECA-L	7.5 kV