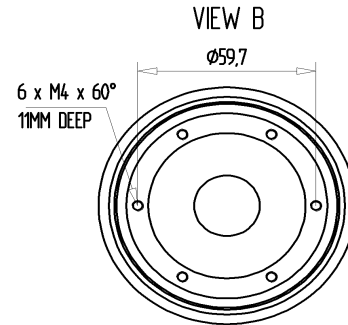
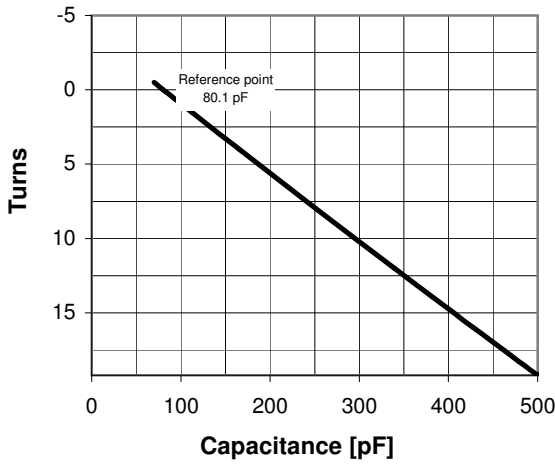
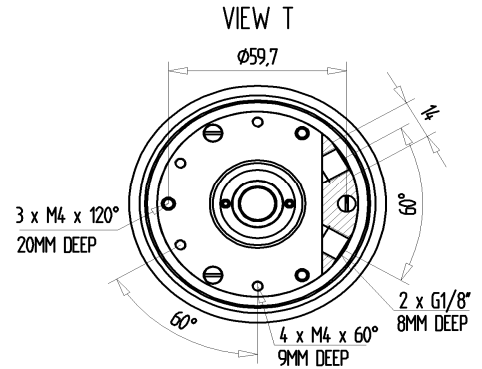


CVPO-500BW/15-AACA-A

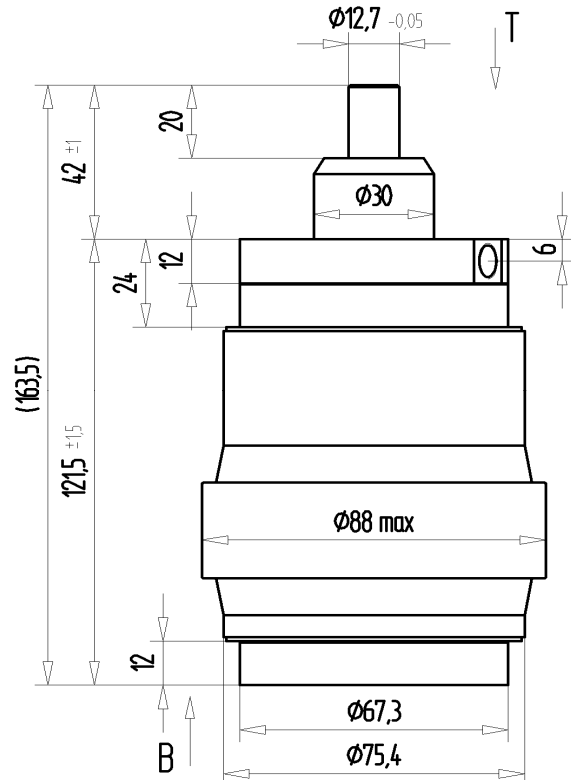
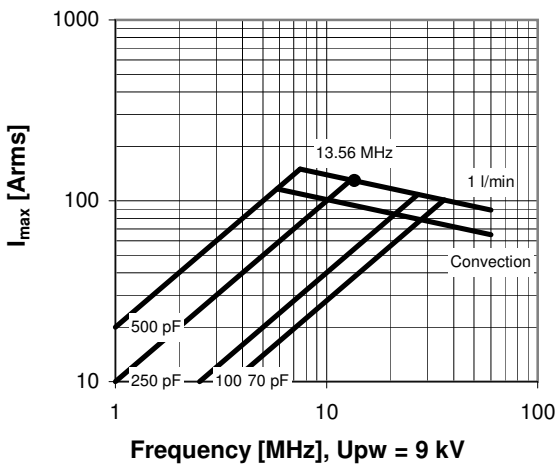
Old Type Designation: CV1W-500IN

Specifications

Capacity C_{max} (nominal)	500 pF
Capacity C_{min} (nominal)	70 pF
Voltage (Peak Test U_{pt} / Peak Working U_{pw})	15 kV / 9 kV
Capacity Tolerance (linear Range)	10%
Max. Current I_{max} at 13.56 MHz with	129 Arms
Water Cooling	1 l/min
Self Inductance	≤ 6 nH
Capacitance per turn	21.9 pF/turn
Torque	≤ 0.4 Nm
Net Weight	1.6 kg



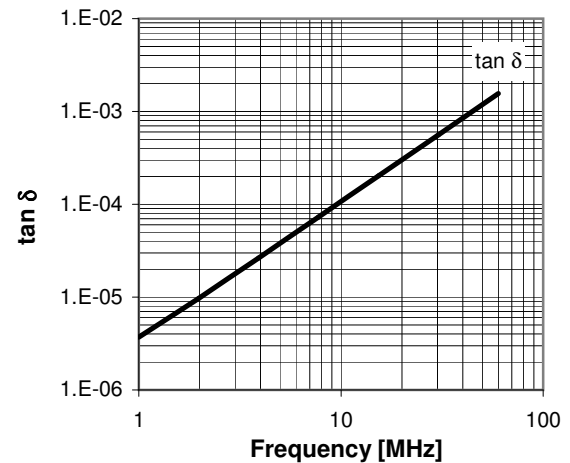
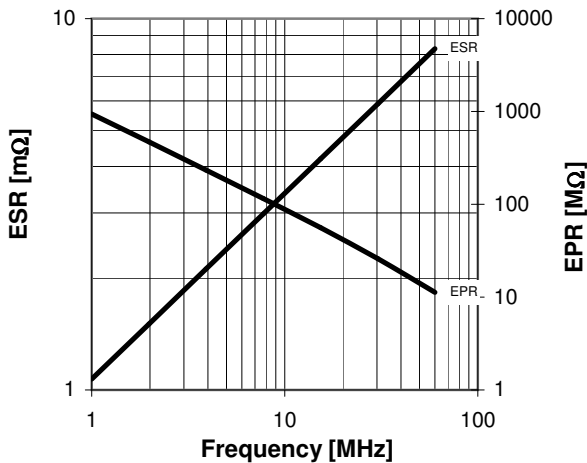
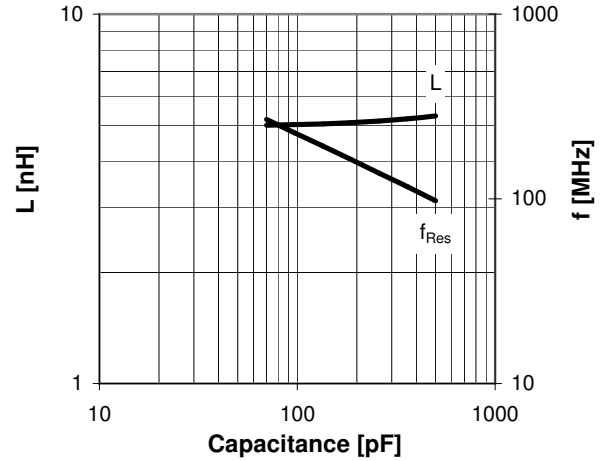
I_{max} for 1 l/min water cooling; max. water temp. at inlet: 70 °C



Turns	Nominal Capacitance [pF]	Tolerance
-0.5	70.0	10%
0.0	80.1	0%
4.0	165.3	10%
8.0	251.7	10%
12.0	339.7	10%
16.0	427.7	10%
19.2	500.0	10%

Slamindex at 70 ± 2 pF at -0.5 ± 0.05 turns
Mechanical stop at > 500 pF at ~ 19.5 turns

Self inductance and resonance frequency



Special Features:

Slam Index

Type Ordering Information:

Type	Upt
CVPO-500BW/15-AACA-A	15 kV
CVPO-500BW/10-AACA-A	10 kV
CVPO-500BW/7.5-AACA-A	7.5 kV