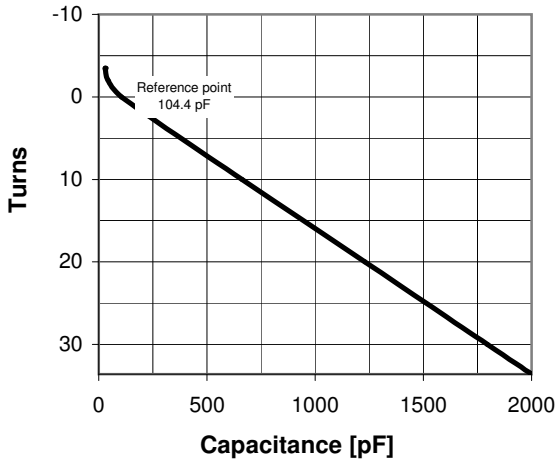
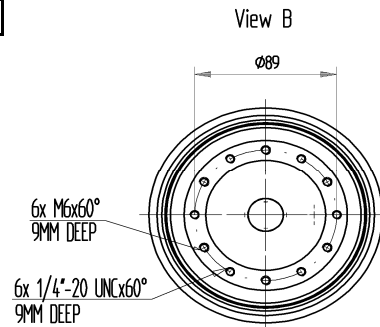
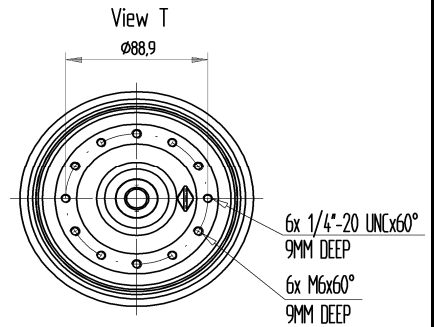


CVSA-2000AC/15-AAB

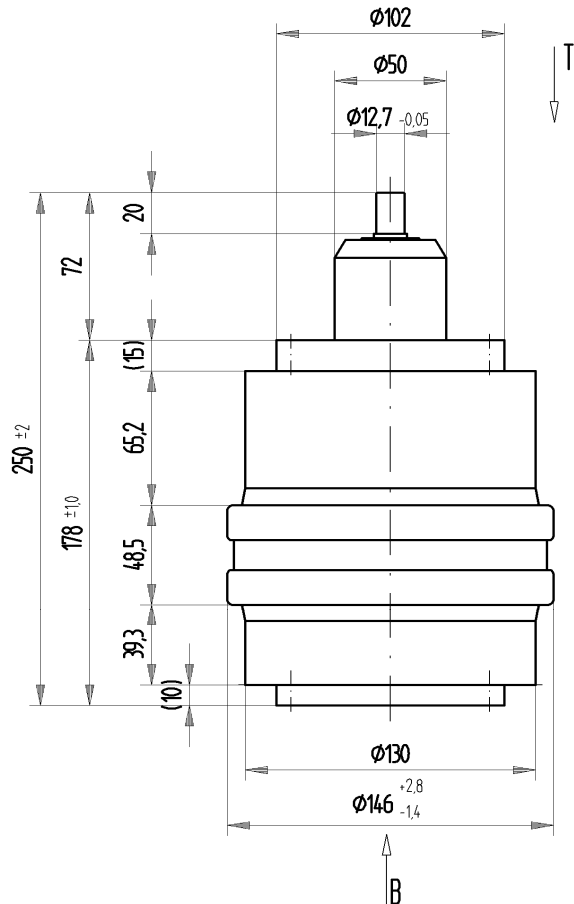
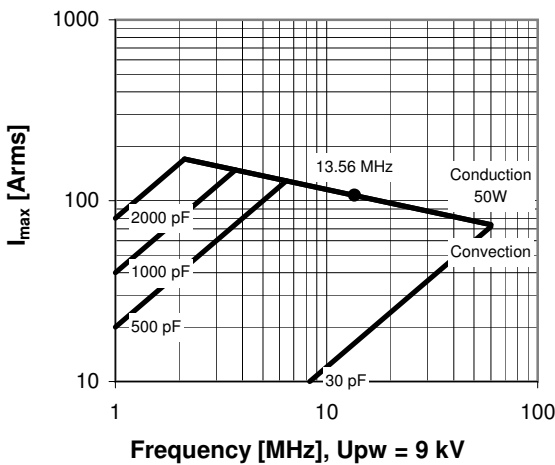
Old Type Designation: CV1C-2000EW

Specifications

Capacity C_{max} (nominal)	2000 pF
Capacity C_{min} (nominal)	30 pF
Voltage (Peak Test U_{pt} / Peak Working U_{pw})	15 kV / 9 kV
Capacity Tolerance (linear Range)	10%
Max. Current I_{max} at 13.56 MHz with	106 Arms
Conduction Cooling	50 W
Self Inductance	≤ 21 nH
Capacitance per turn	56.4 pF/turn
Torque	≤ 0.75 Nm
Net Weight	5.2 kg



I_{max} at 25°C ambient and 125°C surface temp. for convection and conduction (50 W) cooling



Turns	Nominal Capacitance [pF]	Tolerance
-3.5	30.0	10%
-2.0	42.6	10%
0.0	104.4	0%
10.0	662.6	10%
20.0	1229.6	10%
30.0	1796.5	10%
33.6	2000.0	10%

Mechanical stop at < 30 pF at ~ -7.7 turns
Mechanical stop at > 2000 pF at ~ 33.8 turns

Self inductance and resonance frequency

