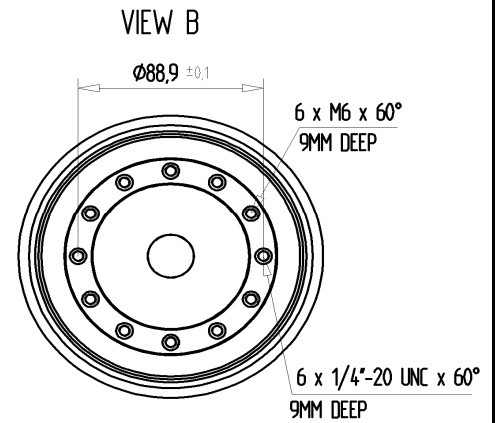
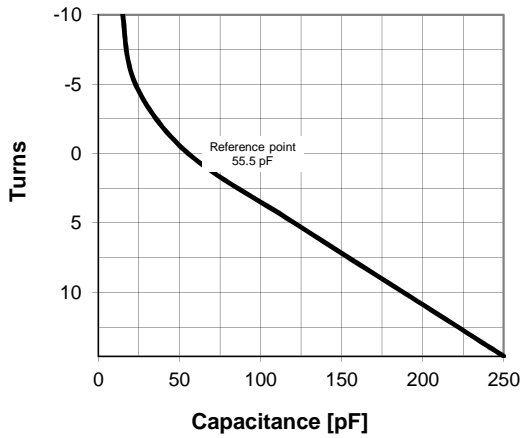
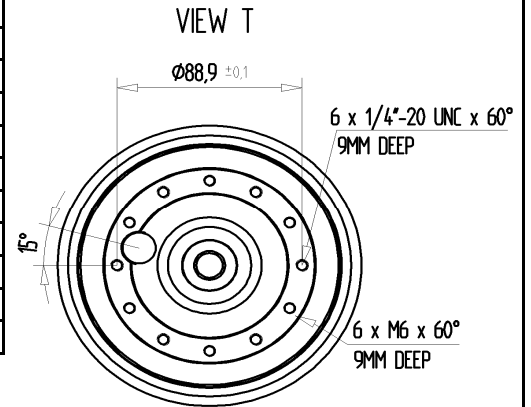


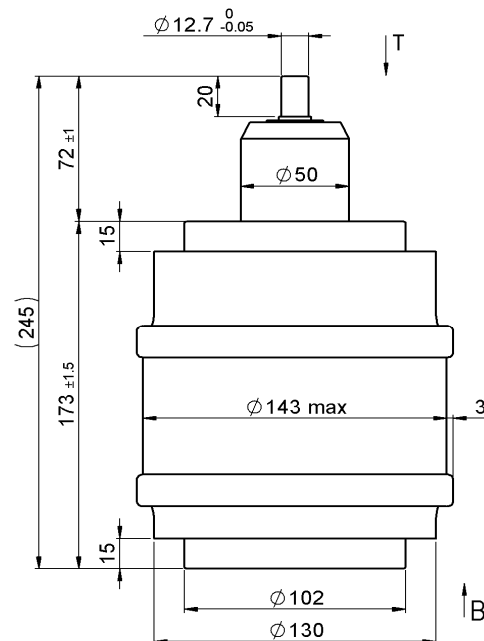
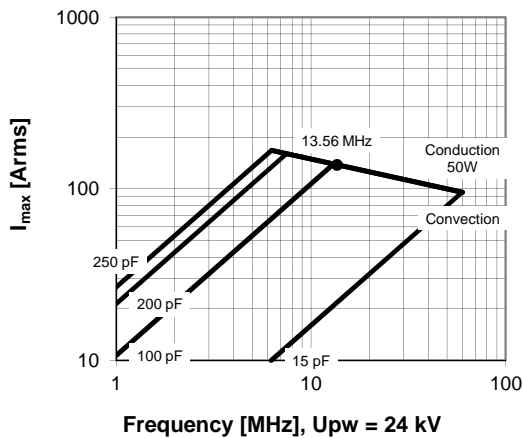
# CVSA-250AC/40-AAB

Old Type Designation: CV2C-250E

Specifications	
Capacity $C_{max}$ (nominal)	250 pF
Capacity $C_{min}$ (nominal)	15 pF
Voltage (Peak Test $U_{pt}$ / Peak Working $U_{pw}$ )	40 kV / 24 kV
Capacity Tolerance (linear Range)	10%
Max. Current $I_{max}$ at 13.56 MHz with	138 Arms
Conduction Cooling	50 W
Self Inductance	$\leq 13$ nH
Capacitance per turn	13.3 pF/turn
Torque	$\leq 1.5$ Nm
Net Weight	5.4 kg



$I_{max}$  at 25°C ambient and 125°C surface temp. for convection and conduction (50 W) cooling



# CVSA-250AC/40-AAB

Old Type Designation: CV2C-250E

Turns	Nominal Capacitance [pF]	Tolerance
-10.0	15.0	10%
-5.0	22.9	10%
0.0	55.5	0%
5.0	120.9	10%
10.0	188.2	10%
14.6	250.0	10%

Mechanical stop at < 15 pF at ~ -15.1 turns  
Mechanical stop at > 250 pF at ~ 15 turns

Self inductance and resonance frequency

