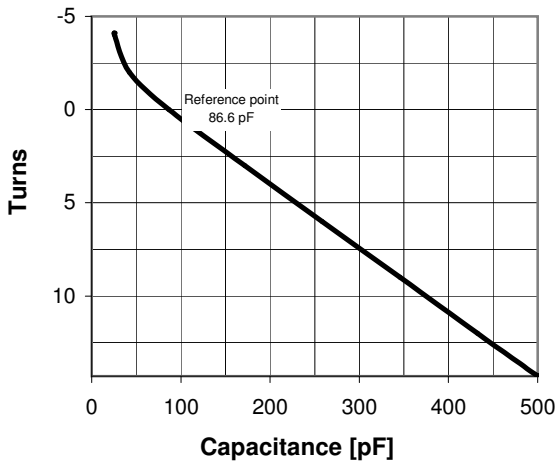


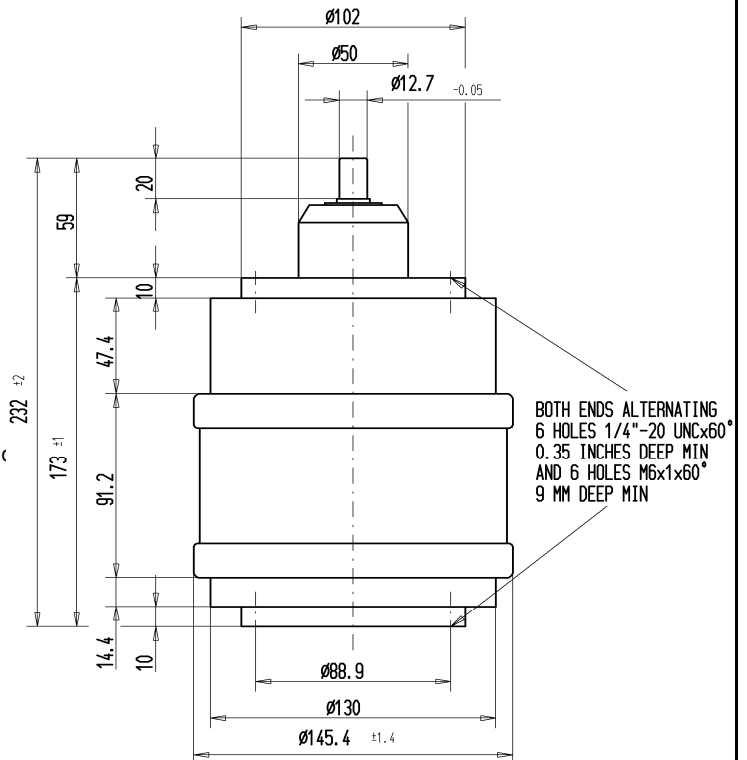
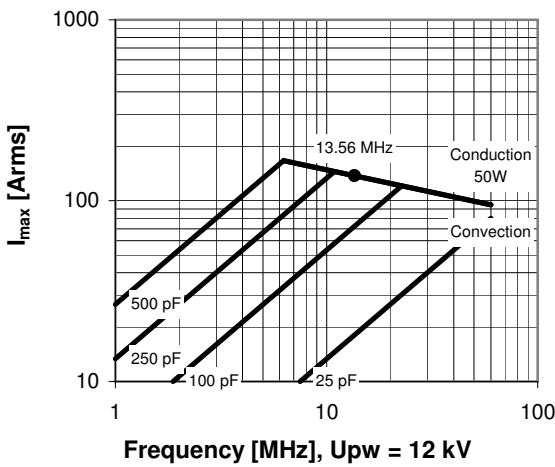
## CVSA-500AC/20-AAB

Old Type Designation: CV1C-500R

Specifications	
Capacity $C_{max}$ (nominal)	500 pF
Capacity $C_{min}$ (nominal)	25 pF
Voltage (Peak Test $U_{pt}$ / Peak Working $U_{pw}$ )	20 kV / 12 kV
Capacity Tolerance (linear Range)	10%
Max. Current $I_{max}$ at 13.56 MHz with Conduction Cooling	137 Arms 50 W
Capacitance per turn	28.9 pF/turn
Torque	$\leq 1.5$ Nm
Net Weight	5.5 kg



$I_{max}$  at 25°C ambient and 125°C surface temp. for convective and conduction (50 W) cooling



Turns	Nominal Capacitance [pF]	Tolerance
-4.1	25.0	10%
-4.0	25.6	10%
-2.0	42.3	10%
0.0	86.6	0%
3.0	171.7	10%
6.0	258.6	10%
9.0	345.6	10%
12.0	432.6	10%
14.3	500.0	10%

Mechanical stop at < 25 pF at ~ -6.7 turns  
Mechanical stop at > 500 pF at ~ 14.5 turns

Self inductance and resonance frequency

