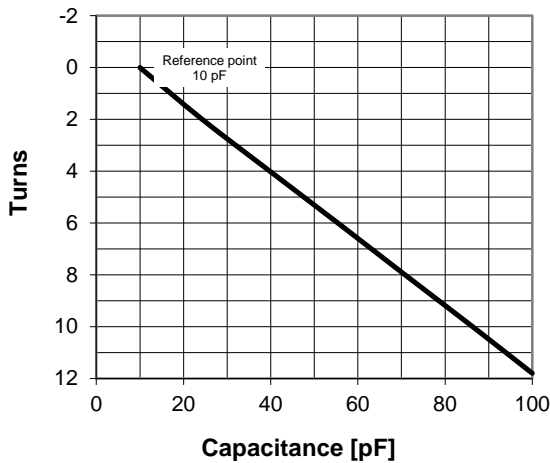
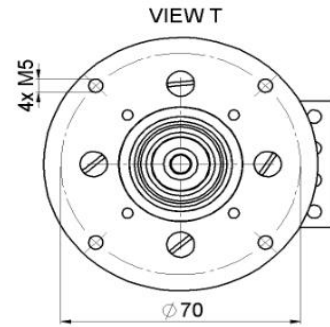
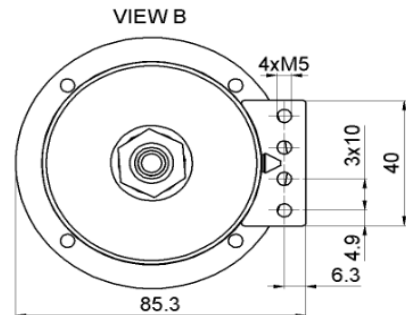
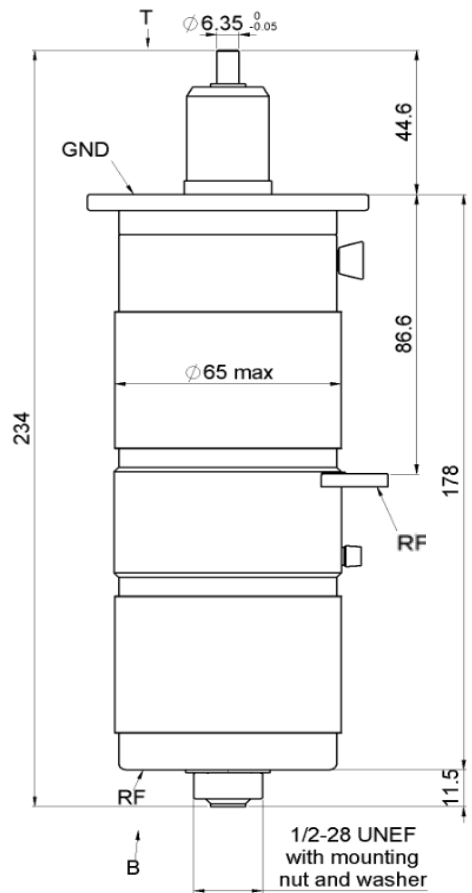
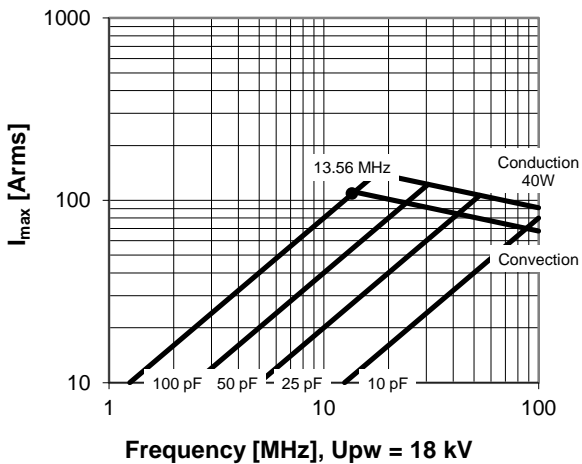


## CVSM-100AC/30-BAJL

Specifications	
Capacitance $C_{max}$ (nominal)	100 pF
Capacitance $C_{min}$ (nominal)	10 pF
Voltage (Peak Test $U_{pt}$ / Peak Working $U_{pw}$ )	30 kV / 18 kV
Capacitance Tolerance (linear Range)	10%
Max. Current $I_{max}$ at 13.56 MHz with	108 Arms
Conduction Cooling	40 W
Self Inductance	$\leq 9$ nH
Capacitance per turn	7.6 pF/turn
Torque	$\leq 0.3$ Nm
Net Weight	1.5 kg



$I_{max}$  at 25°C ambient and 125°C surface temp. for convection and conduction (40 W) cooling



Subject to change without prior notice

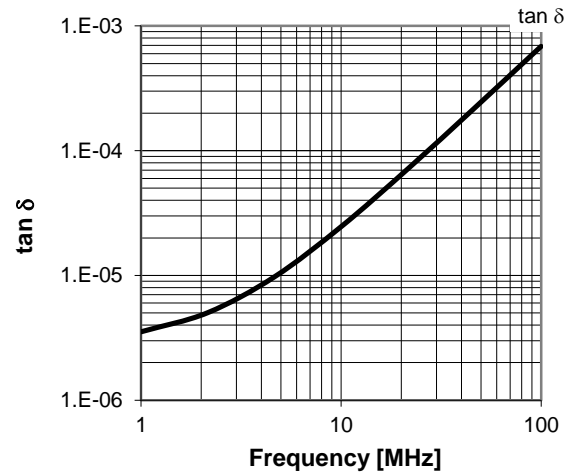
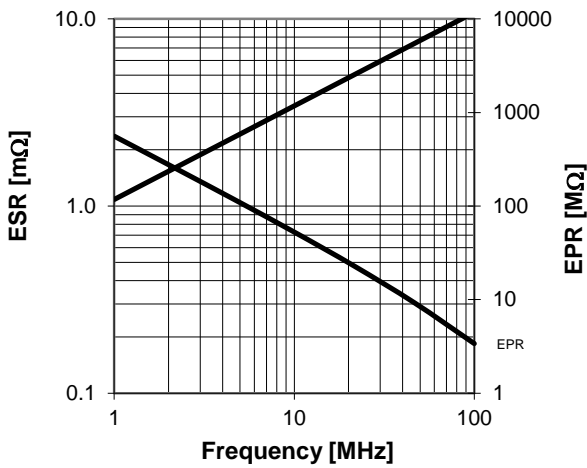
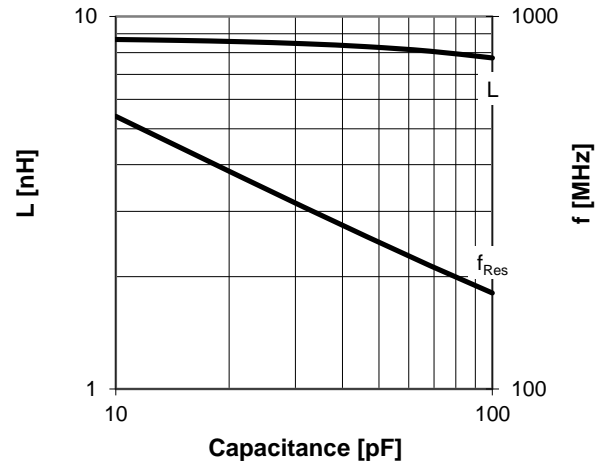
Note: Technical information in Service Bulletin SB-52 must be considered

## CVSM-100AC/30-BAJL

Turns	Nominal Capacitance [pF]	Tolerance
0.0	10.0	0%
2.0	24.3	10%
4.0	39.8	10%
6.0	55.4	10%
8.0	70.8	10%
10.0	86.3	10%
11.8	100.0	10%

Mechanical stop at < 10 pF at ~ -3 turns  
Mechanical stop at > 100 pF at ~ 12.5 turns

Self inductance and resonance frequency



**Special Features:**

RoHS Compliant

Subject to change without prior notice

Note: Technical information in Service Bulletin  
SB-52 must be considered