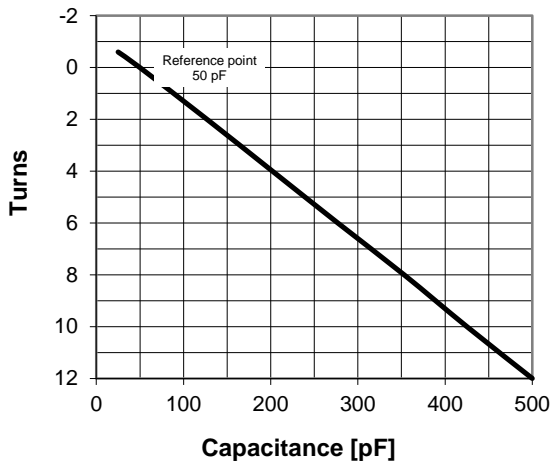
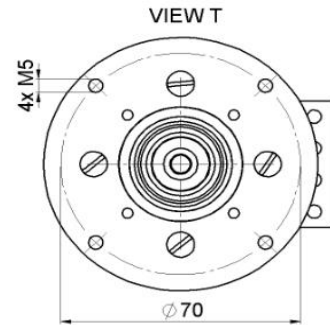
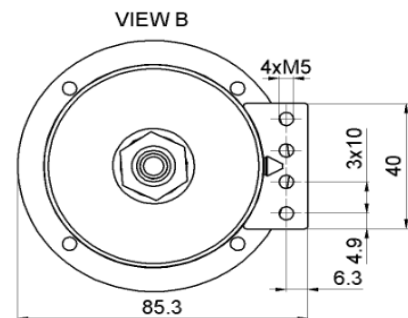
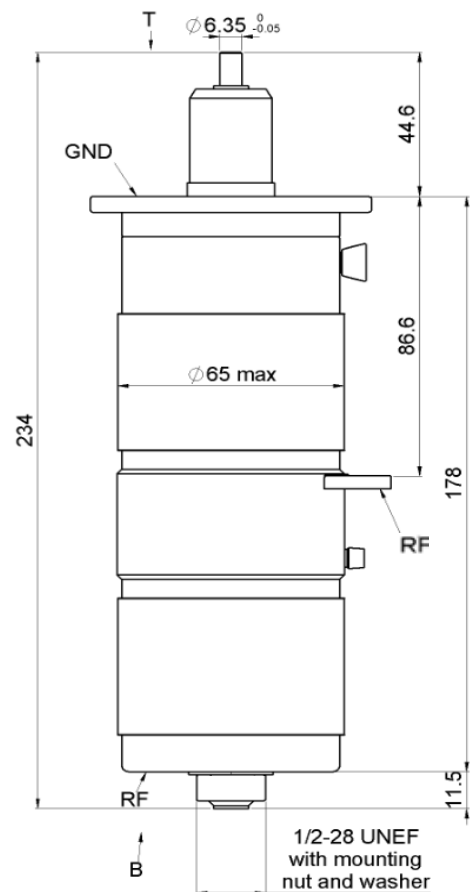
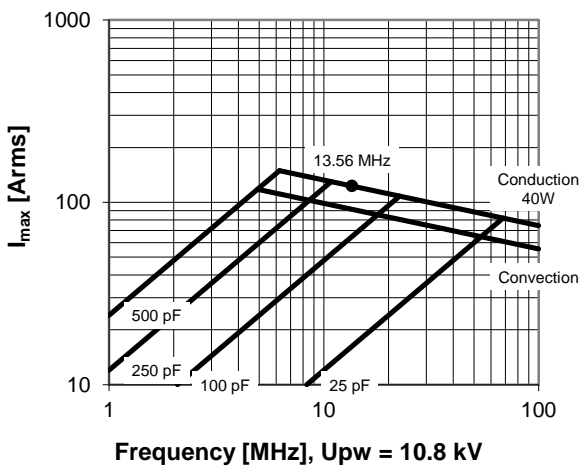


CVSM-500AC/18-BAJL

Specifications	
Capacitance C_{max} (nominal)	500 pF
Capacitance C_{min} (nominal)	25 pF
Voltage (Peak Test U_{pt} / Peak Working U_{pw})	18 kV / 10.8 kV
Capacitance Tolerance (linear Range)	10%
Max. Current I_{max} at 13.56 MHz with	122 Arms
Conduction Cooling	40 W
Self Inductance	≤ 7 nH
Capacitance per turn	37.5 pF/turn
Torque	≤ 0.3 Nm
Net Weight	1.5 kg



I_{max} at 25°C ambient and 125°C surface temp. for convection and conduction (40 W) cooling



Subject to change without prior notice

Note: Technical information in Service Bulletin SB-52 must be considered

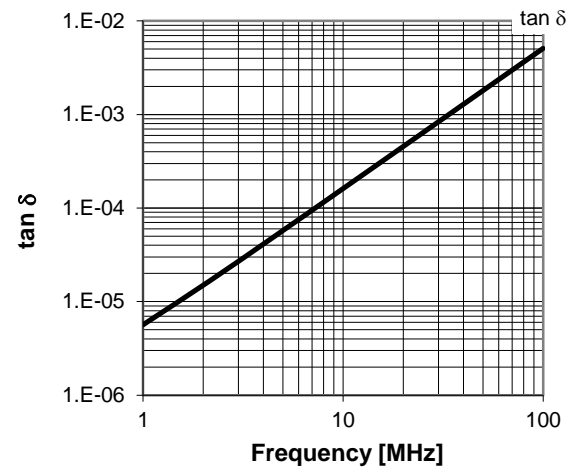
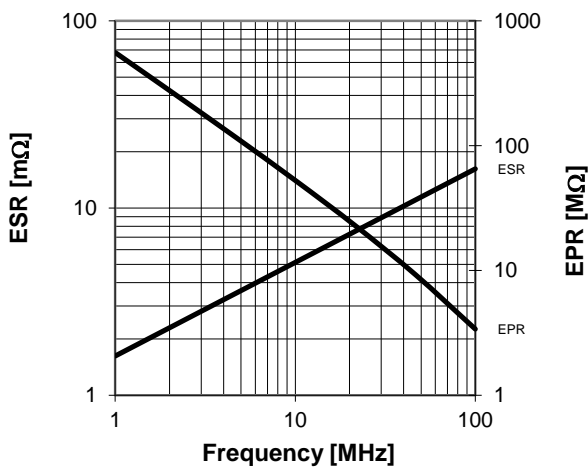
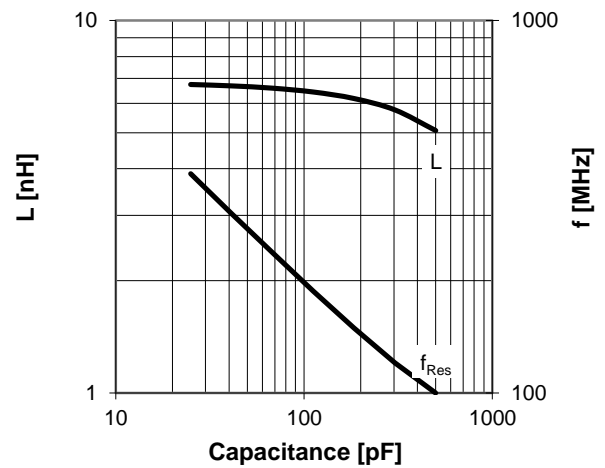
CVSM-500AC/18-BAJL

Turns	Nominal Capacitance [pF]	Tolerance
-0.6	25.0	10%
0.0	50.0	0%
2.0	127.0	10%
4.0	202.0	10%
6.0	277.0	10%
8.0	353.0	10%
10.0	425.0	10%
12.0	500.0	10%

Mechanical stop at < 25 pF at ~ -1 turns

Mechanical stop at > 500 pF at ~ 12.4 turns

Self inductance and resonance frequency



Special Features:

RoHS Compliant

Subject to change without prior notice

Note: Technical information in Service Bulletin

SB-52 must be considered

Issue: 31-Mar-2016

Replaces: 17-Mar-2015