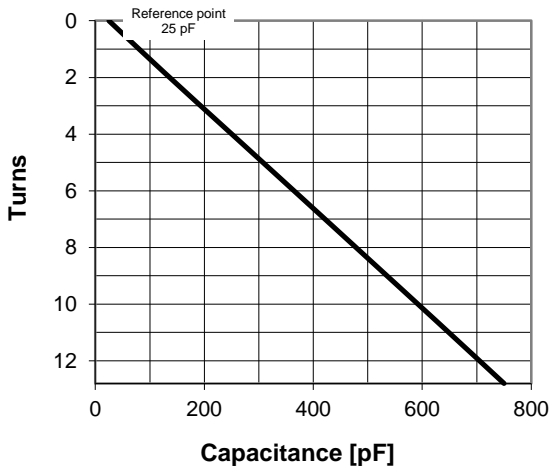
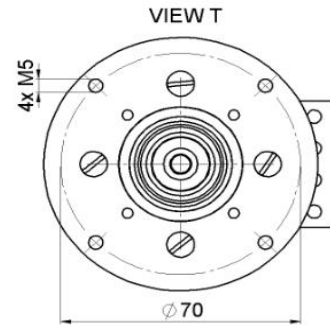
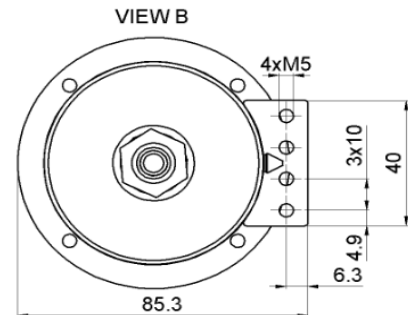
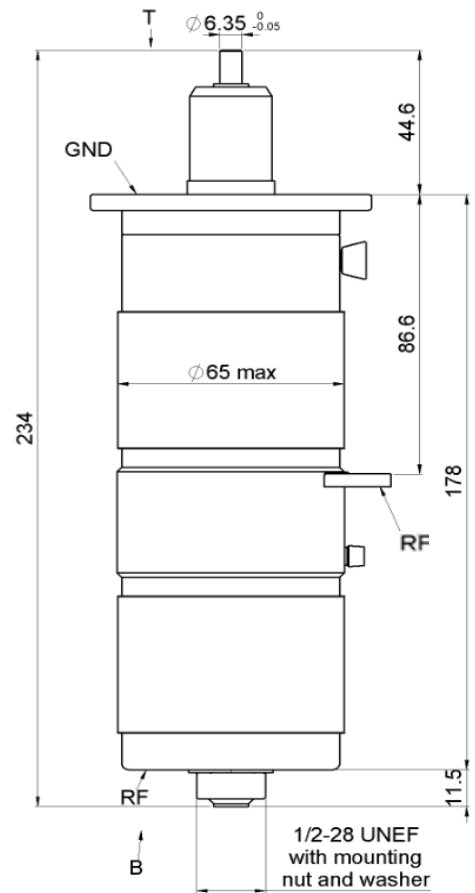
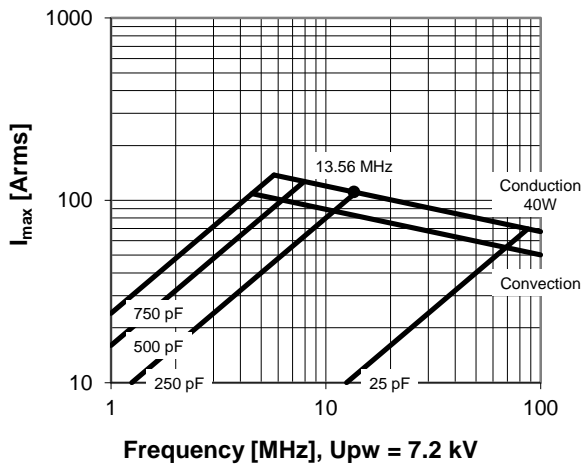


CVSM-750AC/12-BAJL

Specifications	
Capacitance C_{max} (nominal)	750 pF
Capacitance C_{min} (nominal)	25 pF
Voltage (Peak Test U_{pt} / Peak Working U_{pw})	12 kV / 7.2 kV
Capacitance Tolerance (linear Range)	10%
Max. Current I_{max} at 13.56 MHz with	111 Arms
Conduction Cooling	40 W
Capacitance per turn	56.6 pF/turn
Torque	≤ 0.3 Nm
Net Weight	1.5 kg



I_{max} at 25°C ambient and 125°C surface temp. for convection and conduction (40 W) cooling



Subject to change without prior notice

Note: Technical information in Service Bulletin SB-52 must be considered

Issue: 12-Jul-2016



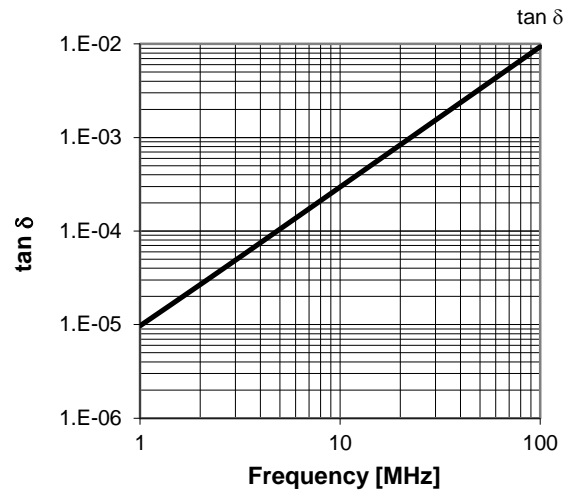
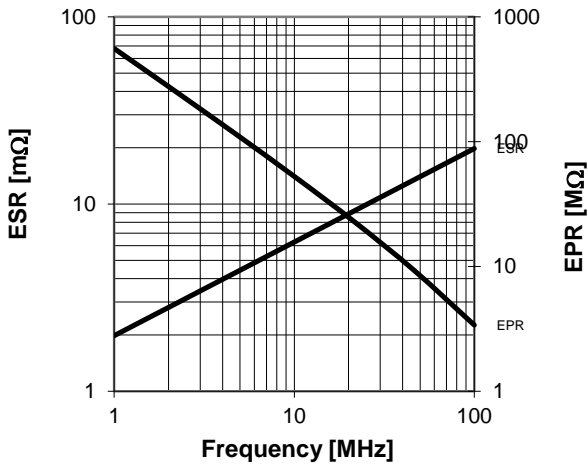
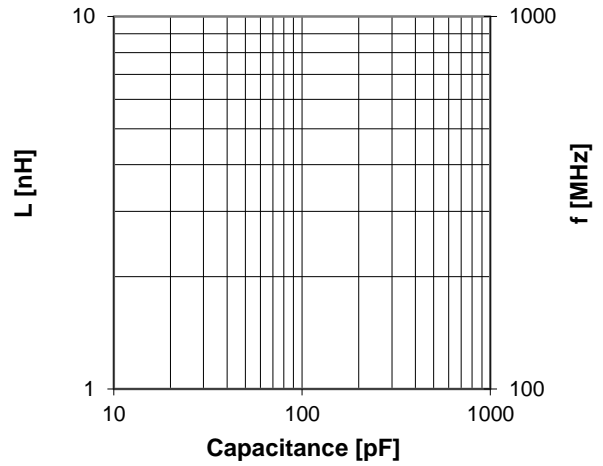
Technology with Passion
www.comet-pct.com

CVSM-750AC/12-BAJL

Turns	Nominal Capacitance [pF]	Tolerance
0.0	25.0	0%
1.8	125.0	10%
4.0	250.4	10%
6.2	375.9	10%
8.4	501.0	10%
10.6	626.0	10%
12.8	750.0	10%

Mechanical stop at < 25 pF at ~ -0.2 turns
Mechanical stop at > 750 pF at ~ 12.8 turns

Self inductance and resonance frequency



Special Features:

RoHS Compliant

Subject to change without prior notice

Note: Technical information in Service Bulletin
SB-52 must be considered

Issue: 12-Jul-2016