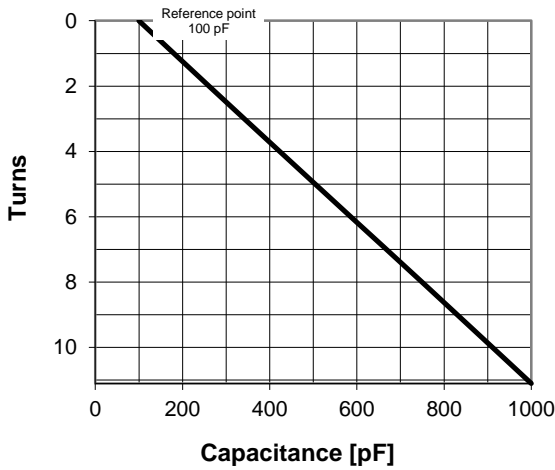
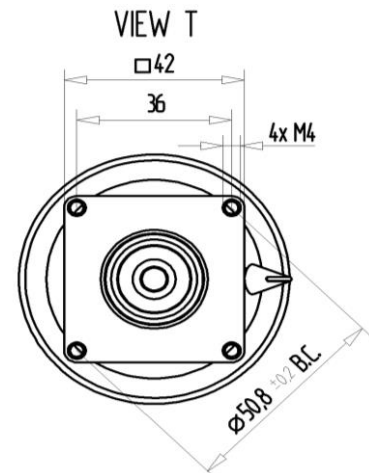
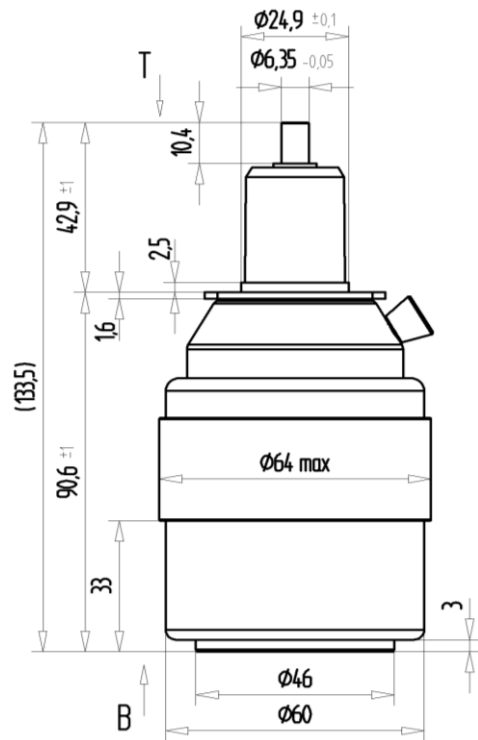
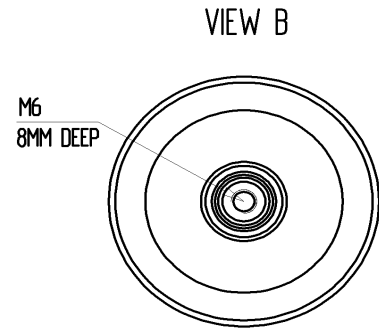
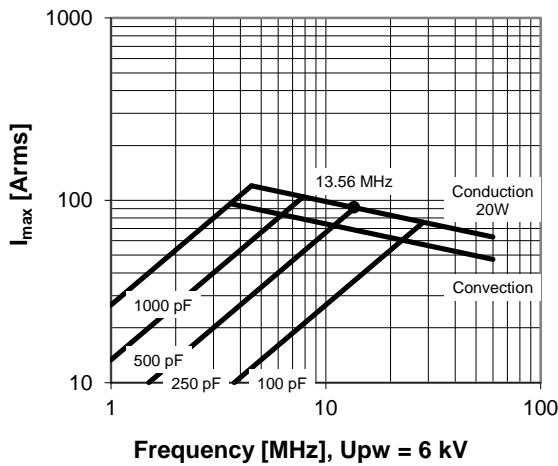


CVUN-1000CC/10-BAJA

Specifications	
Capacity C_{max} (nominal)	1000 pF
Capacity C_{min} (nominal)	100 pF
Voltage (Peak Test U_{pt} / Peak Working U_{pw})	10 kV / 6 kV
Capacity Tolerance (linear Range)	10%
Max. Current I_{max} at 13.56 MHz with	91 Arms
Conduction Cooling	20 W
Self Inductance	≤ 9 nH
Capacitance per turn	81.1 pF/turn
Torque	≤ 0.2 Nm
Net Weight	0.7 kg



I_{max} at 25°C ambient and 125°C surface temp. for convection and conduction (20 W) cooling



Subject to change without prior notice

Note: Technical information in Service Bulletin
SB-52 must be considered

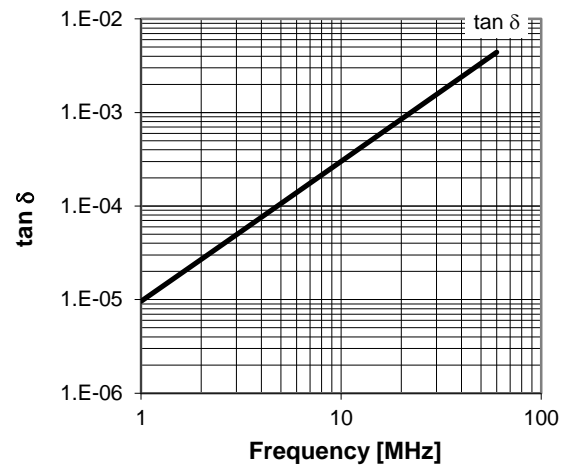
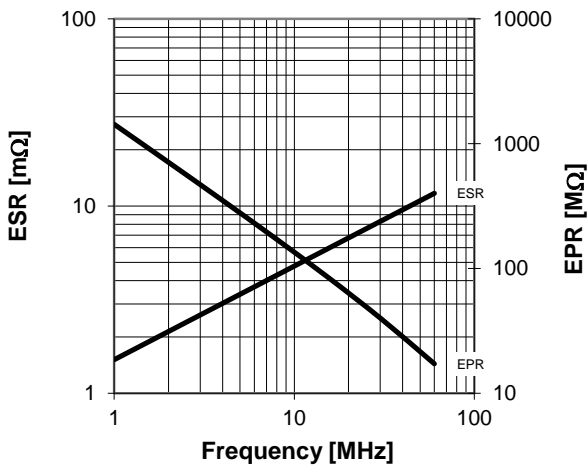
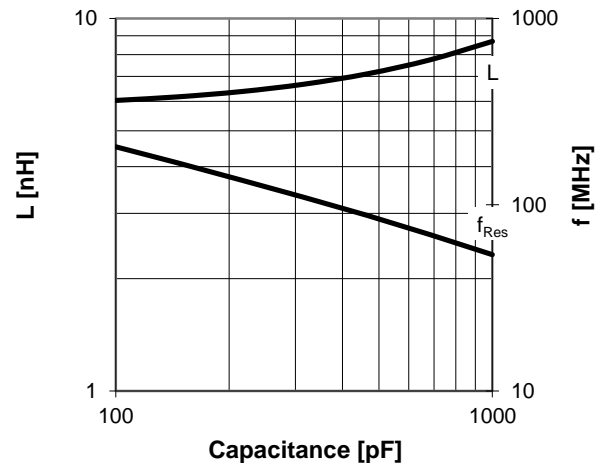
Issue: 14-Sep-2016

CVUN-1000CC/10-BAJA

Turns	Nominal Capacitance [pF]	Tolerance
0.0	100.0	0%
2.0	260.7	10%
4.0	423.0	10%
6.0	586.0	10%
8.0	749.5	10%
11.1	1000.0	10%

Mechanical stop at < 100 pF at ~ -0.3 turns
Mechanical stop at > 1000 pF at ~ 11.2 turns

Self inductance and resonance frequency



Subject to change without prior notice

Note: Technical information in Service Bulletin
SB-52 must be considered

Issue: 14-Sep-2016