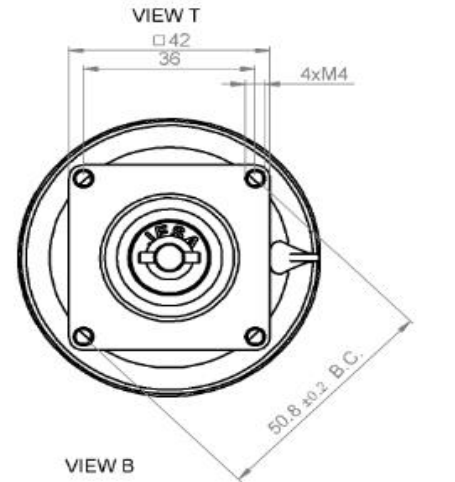


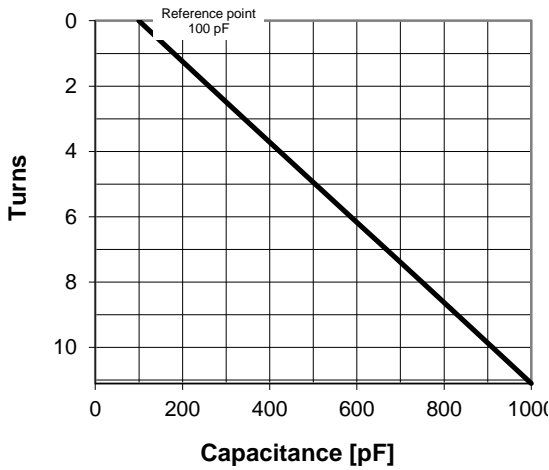
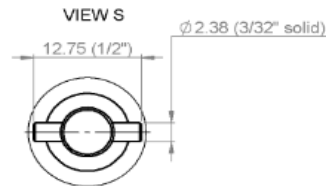
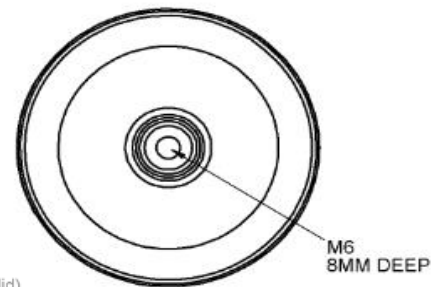
## CVUN-1000CC/10-BGJL-Z

### Specifications

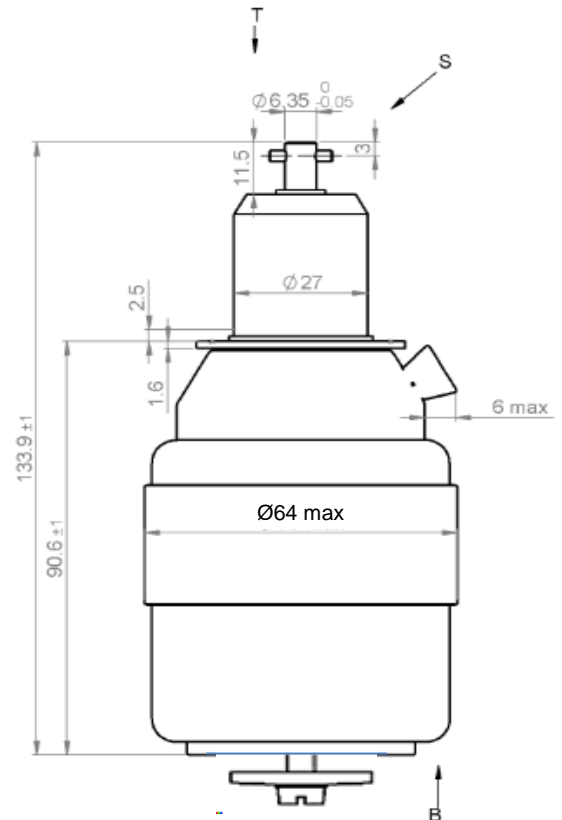
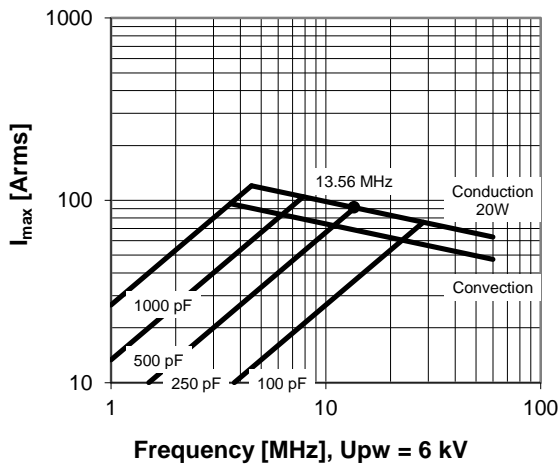
|   |               |
|---|---------------|
| Capacitance $C_{max}$ (nominal)                       | 1000 pF       |
| Capacitance $C_{min}$ (nominal)                       | 100 pF        |
| Voltage (Peak Test $U_{pt}$ / Peak Working $U_{pw}$ ) | 10 kV / 6 kV  |
| Capacitance Tolerance (linear Range)                  | 10%           |
| Max. Current $I_{max}$ at 13.56 MHz with              | 91 Arms       |
| Conduction Cooling                                    | 20 W          |
| Self Inductance                                       | $\leq 9$ nH   |
| Capacitance per turn                                  | 81.1 pF/turn  |
| Torque  | $\leq 0.2$ Nm |
| Net Weight  | 0.8 kg        |



VIEW B



$I_{max}$  at 25°C ambient and 125°C surface temp. for convection and conduction (20 W) cooling



Subject to change without prior notice

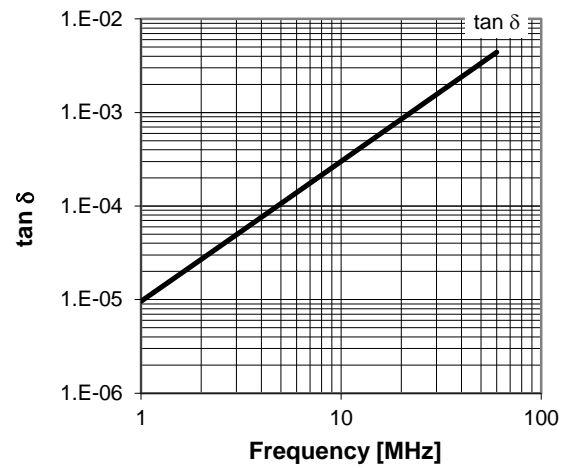
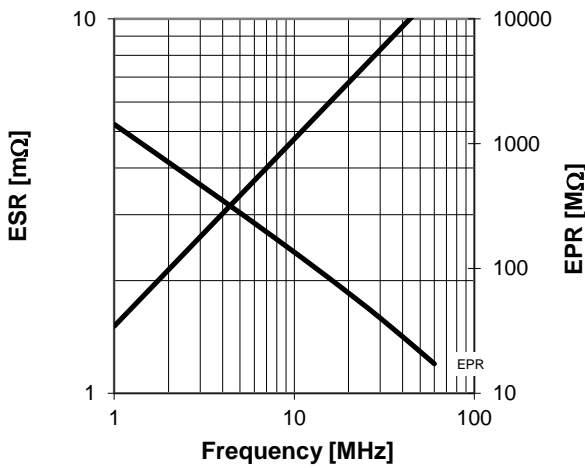
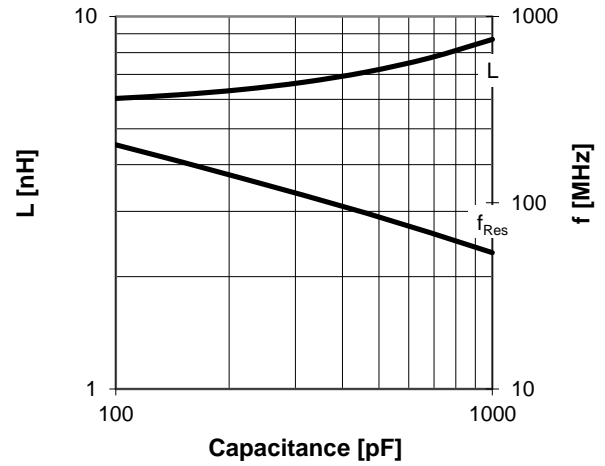
Note: Technical information in Service Bulletin SB-52 must be considered

## CVUN-1000CC/10-BGJL-Z

| Turns | Nominal Capacitance [pF] | Tolerance |
|-------|--------------------------|-----------|
| 0.0   | 100.0                    | 0%        |
| 2.0   | 260.7                    | 10%       |
| 4.0   | 423.0                    | 10%       |
| 6.0   | 586.0                    | 10%       |
| 8.0   | 749.5                    | 10%       |
| 11.1  | 1000.0                   | 10%       |

Mechanical stop at < 100 pF at ~ -0.3 turns  
Mechanical stop at > 1000 pF at ~ 11.2 turns

Self inductance and resonance frequency



**Special Features:**

Special Series Features, RoHS Compliant

Subject to change without prior notice

Note: Technical information in Service Bulletin  
SB-52 must be considered