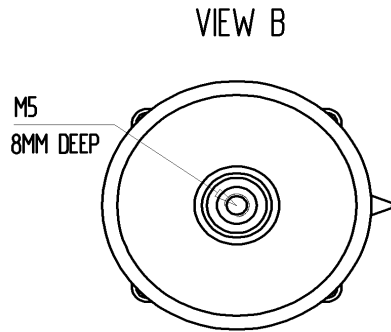
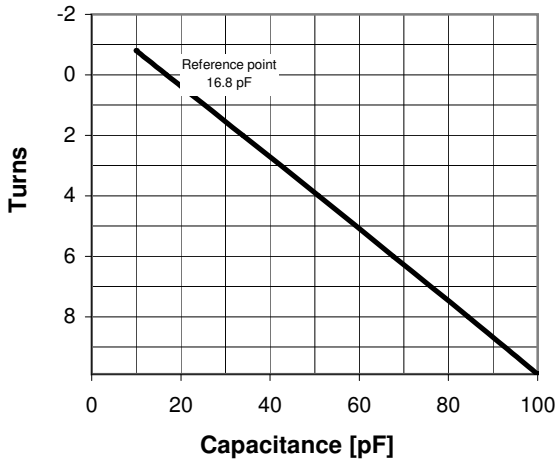
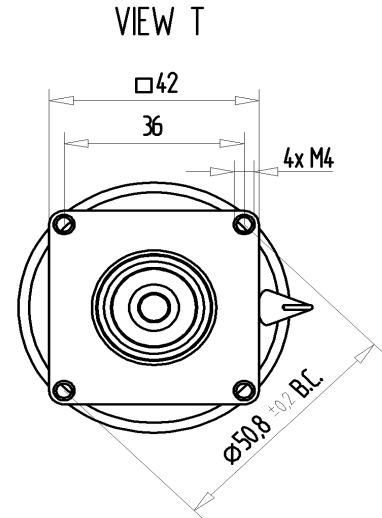


## CVUN-100AC/20-BAJA

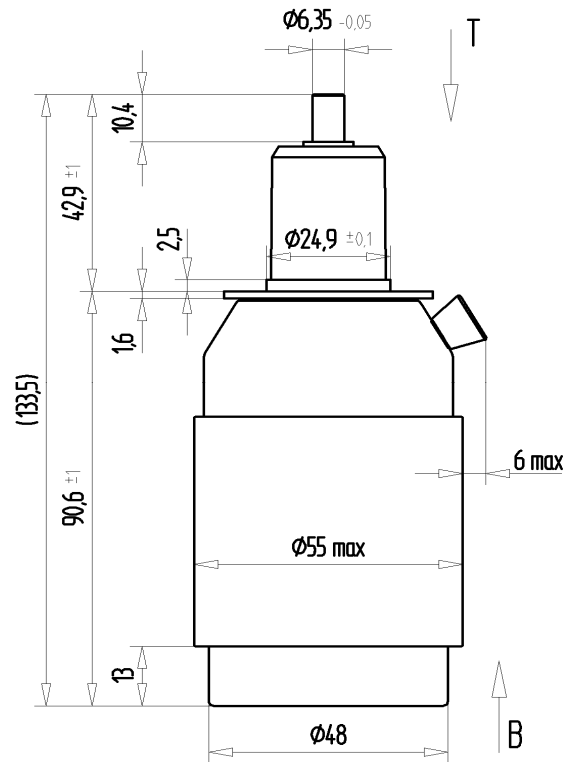
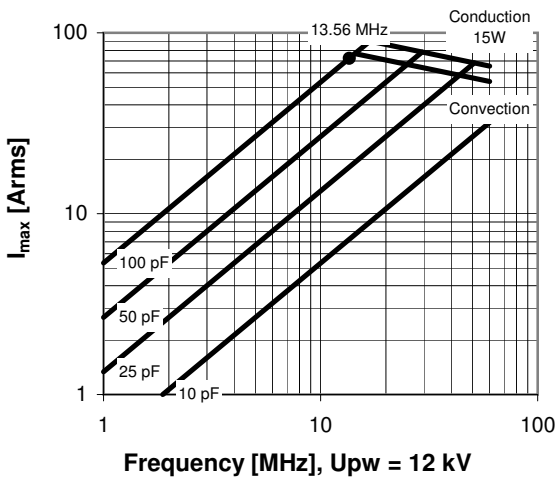
Old Type Designation: CV1C-100UC

### Specifications

Capacity $C_{max}$ (nominal)	100 pF
Capacity $C_{min}$ (nominal)	10 pF
Voltage (Peak Test $U_{pt}$ / Peak Working $U_{pw}$ )	20 kV / 12 kV
Capacity Tolerance (linear Range)	10%
Max. Current $I_{max}$ at 13.56 MHz with Conduction Cooling	72 Arms
Self Inductance	$\leq 8$ nH
Capacitance per turn	8.4 pF/turn
Torque	$\leq 0.2$ Nm
Net Weight	0.5 kg



$I_{max}$  at 25°C ambient and 125°C surface temp. for convection and conduction (15 W) cooling



Turns	Nominal Capacitance [pF]	Tolerance
-0.8	10.0	10%
0.0	16.8	0%
2.0	33.9	10%
4.0	50.9	10%
6.0	67.6	10%
8.0	84.4	10%
9.9	100.0	10%

Mechanical stop at < 10 pF at ~ -1.5 turns  
Mechanical stop at > 100 pF at ~ 10.3 turns

Self inductance and resonance frequency

