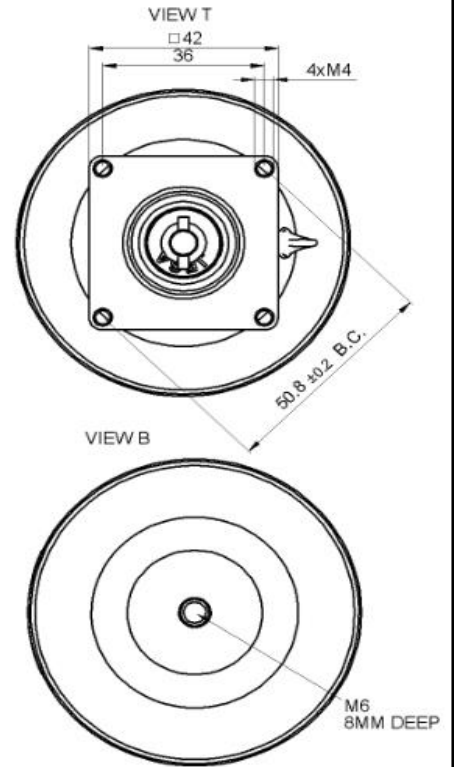
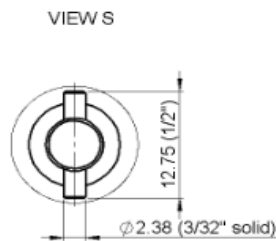
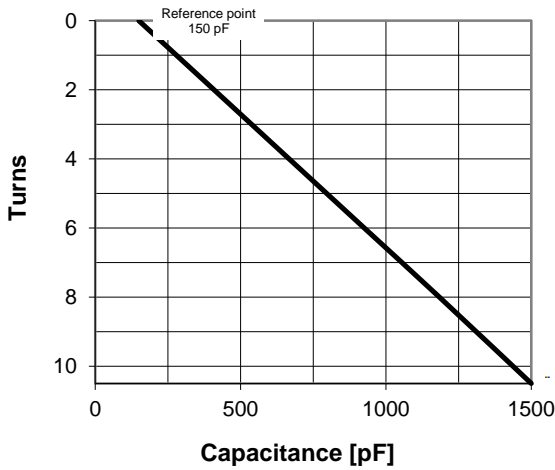
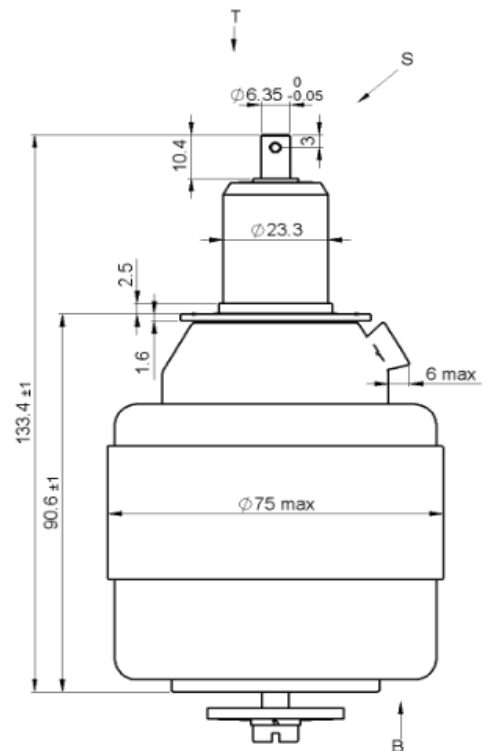
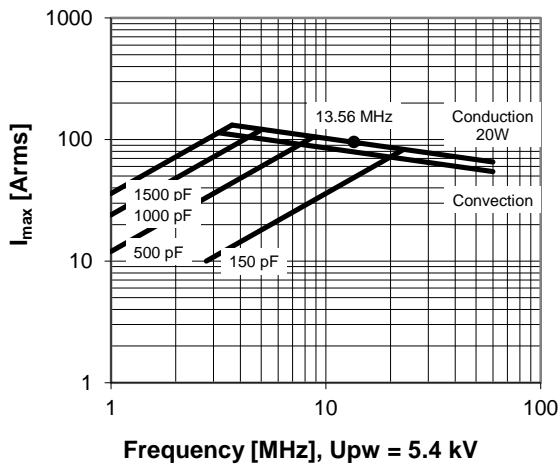


CVUN-1500CC/9-BGJL

Specifications	
Capacitance C_{max} (nominal)	1500 pF
Capacitance C_{min} (nominal)	150 pF
Voltage (Peak Test U_{pt} / Peak Working U_{pw})	9 kV / 5.4 kV
Capacitance Tolerance (linear Range)	10%
Max. Current I_{max} at 13.56 MHz with	94 Arms
Conduction Cooling	20 W
Capacitance per turn	128.6 pF/turn
Torque	≤ 0.2 Nm
Net Weight	0.8 kg



I_{max} at 25°C ambient and 125°C surface temp. for convection and conduction (20 W) cooling



Subject to change without prior notice

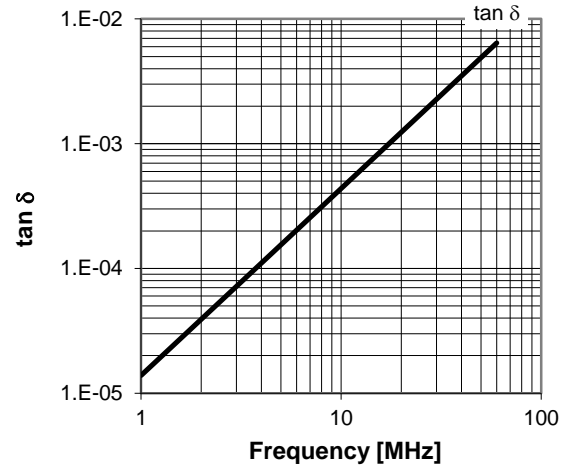
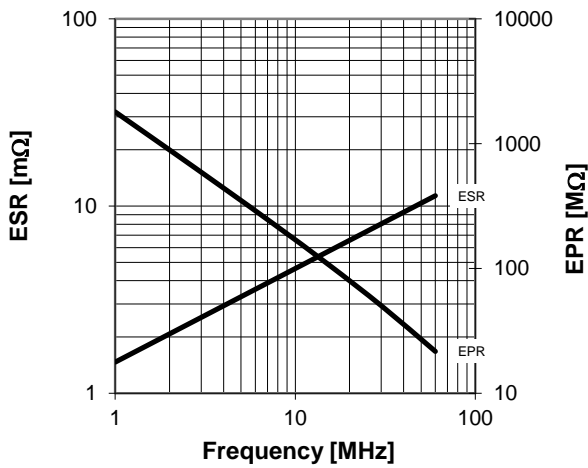
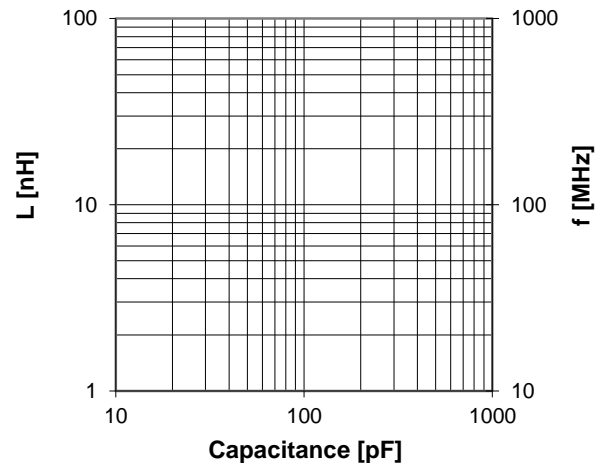
Note: Technical information in Service Bulletin SB-52 must be considered

CVUN-1500CC/9-BGJL

Turns	Nominal Capacitance [pF]	Tolerance
0.0	150.0	0%
2.0	408.6	10%
4.0	666.9	10%
6.0	925.3	10%
8.0	1183.6	10%
10.5	1500.0	10%

Mechanical stop at < 150 pF at ~ -0.5 turns
Mechanical stop at > 1500 pF at ~ 10.6 turns

Self inductance and resonance frequency



Special Features:

RoHS Compliant

Subject to change without prior notice

Note: Technical information in Service Bulletin
SB-52 must be considered

Issue: 01-Sep-2015