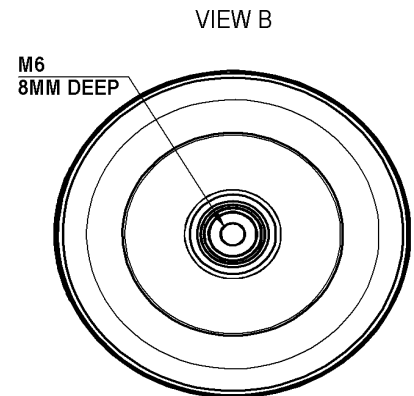
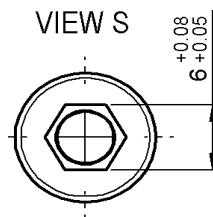
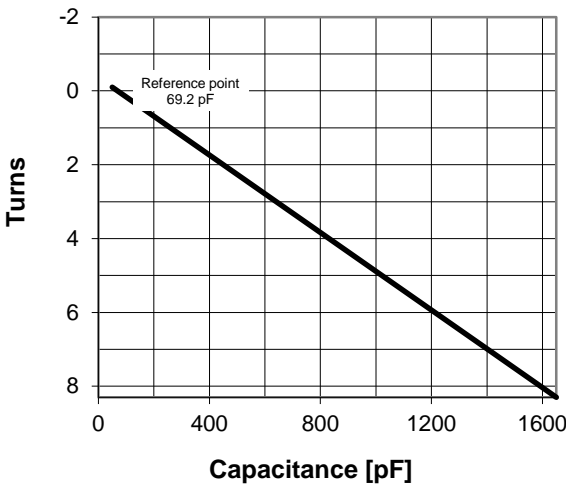
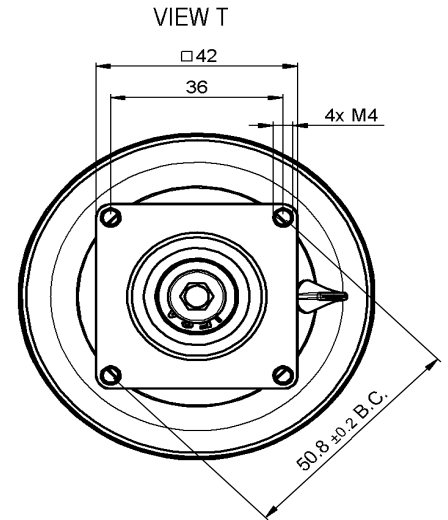


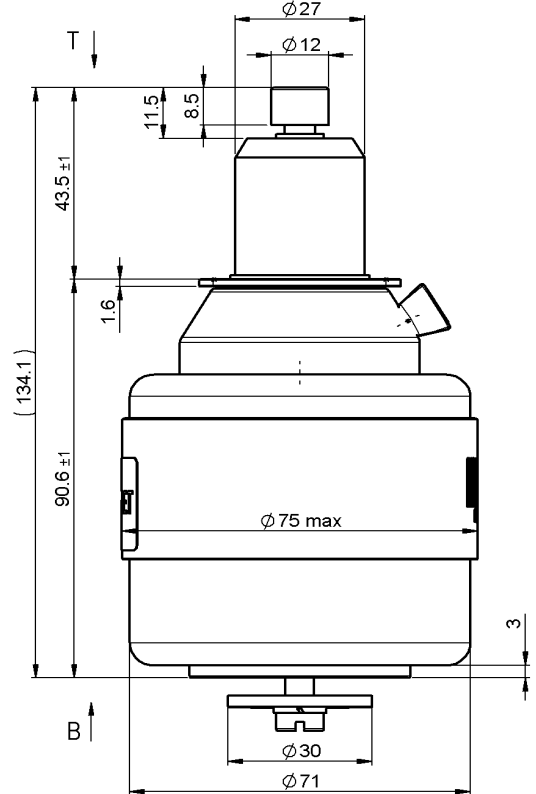
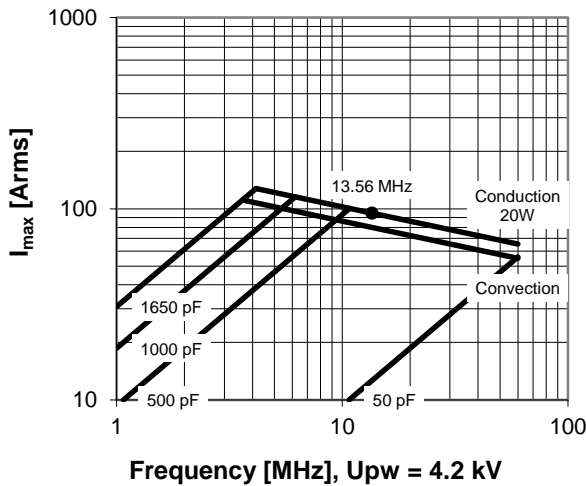
## CVUN-1650CC/7-JHJL-Z

### Specifications

Capacitance $C_{max}$ (nominal)	1650 pF
Capacitance $C_{min}$ (nominal)	50 pF
Voltage (Peak Test $U_{pt}$ / Peak Working $U_{pw}$ )	7 kV / 4.2 kV
Capacitance Tolerance (linear Range)	10%
Max. Current $I_{max}$ at 13.56 MHz with Conduction Cooling	94 Arms 20 W
Capacitance per turn	190.5 pF/turn
Torque	$\leq 0.2$ Nm
Net Weight	0.75 kg



$I_{max}$  at 25°C ambient and 125°C surface temp. for convection and conduction (20 W) cooling



Subject to change without prior notice

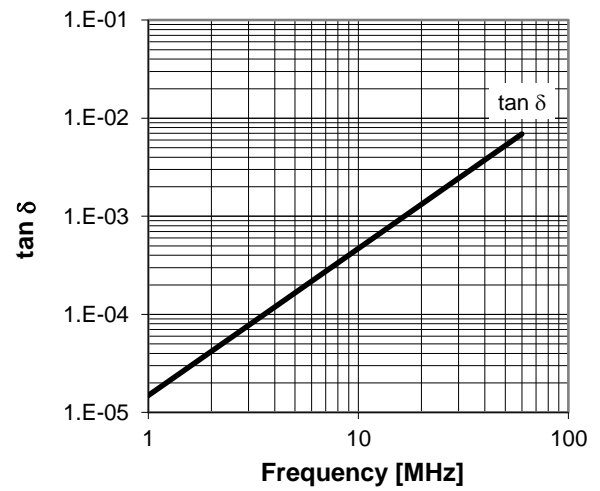
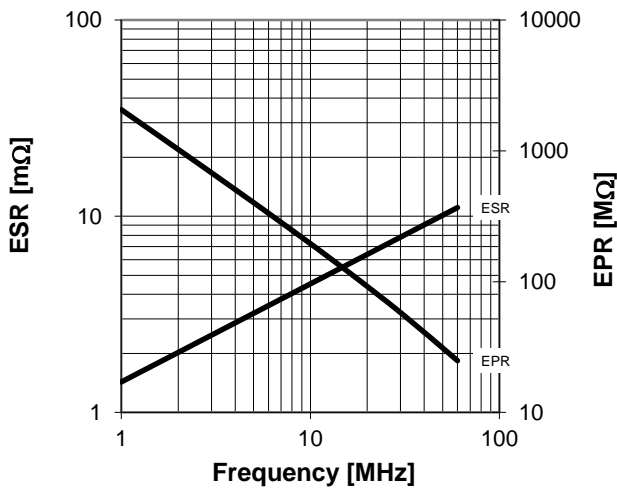
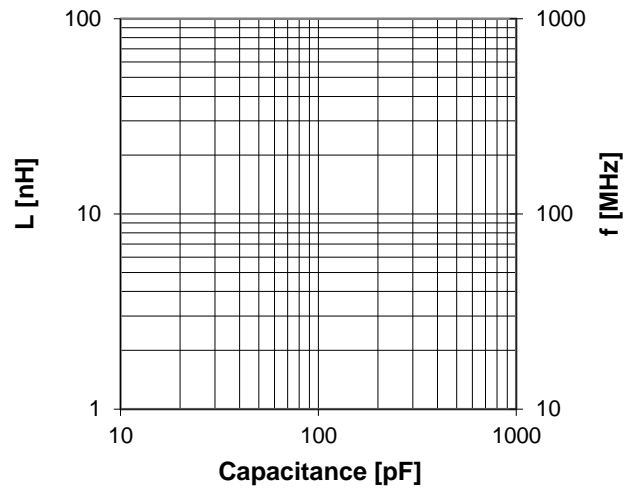
Note: Technical information in Service Bulletin SB-52 must be considered

## CVUN-1650CC/7-JHJL-Z

Turns	Nominal Capacitance [pF]	Tolerance
-0.1	50.0	10%
0.0	69.2	0%
2.0	450.2	10%
4.0	831.2	10%
6.0	1212.2	10%
8.0	1593.2	10%
8.3	1650.0	10%

Mechanical stop at < 50 pF at ~ -2.6 turns  
 Mechanical stop at > 1650 pF at ~ 8.5 turns

Self inductance and resonance frequency



<b>Special Features:</b>
Special Series Features, RoHS Compliant