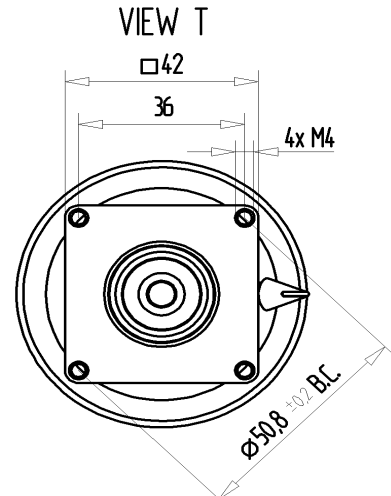


CVUN-2000AC/3-BAJA

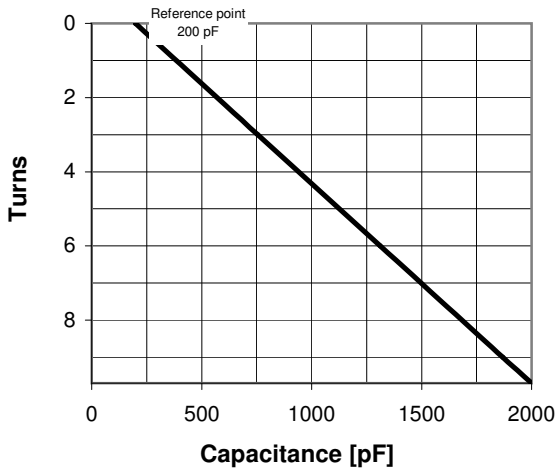
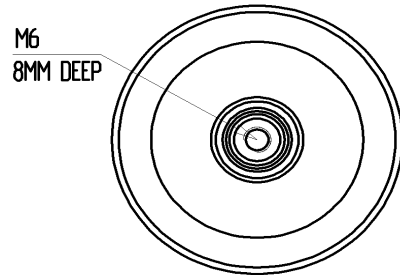
Old Type Designation: CV03C-2000UC

Specifications

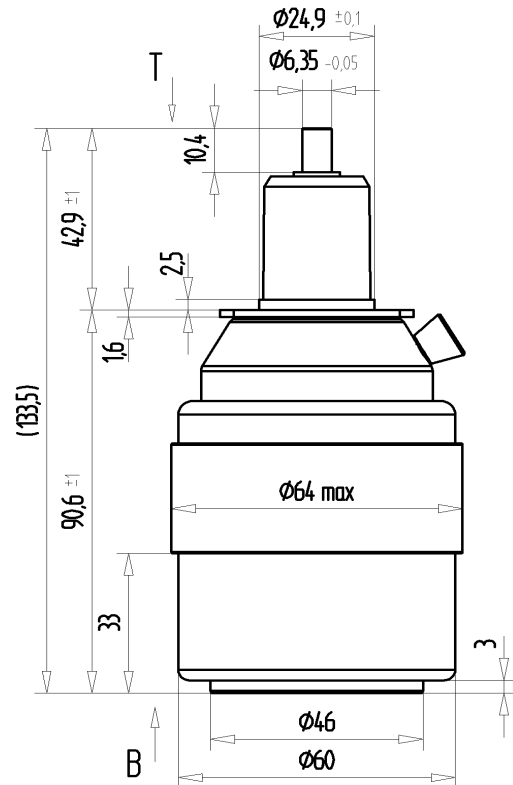
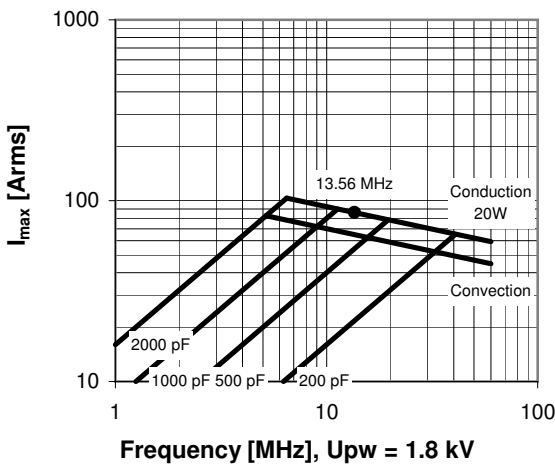
Capacity C_{max} (nominal)	2000 pF
Capacity C_{min} (nominal)	200 pF
Voltage (Peak Test U_{pt} / Peak Working U_{pw})	3 kV / 1.8 kV
Capacity Tolerance (linear Range)	10%
Max. Current I_{max} at 13.56 MHz with	86 Arms
Conduction Cooling	20 W
Self Inductance	≤ 9 nH
Capacitance per turn	185.6 pF/turn
Torque	≤ 0.2 Nm
Net Weight	0.65 kg



VIEW B



I_{max} at 25°C ambient and 125°C surface temp. for convection and conduction (20 W) cooling



CVUN-2000AC/3-BAJA

Old Type Designation: CV03C-2000UC

Turns	Nominal Capacitance [pF]	Tolerance
0.0	200.0	0%
3.0	754.9	10%
6.0	1311.6	10%
9.0	1868.5	10%
9.7	2000.0	10%

Mechanical stop at < 200 pF at ~ -1.7 turns
Mechanical stop at > 2000 pF at ~ 9.8 turns

Self inductance and resonance frequency

