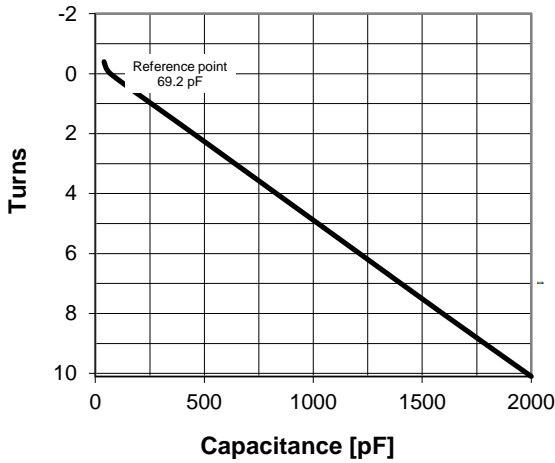
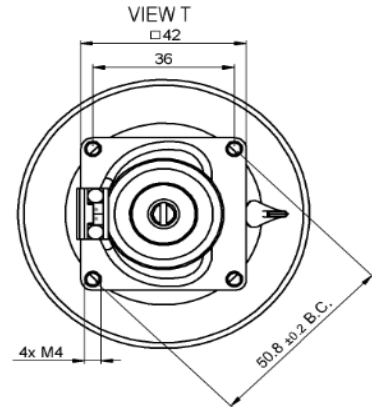
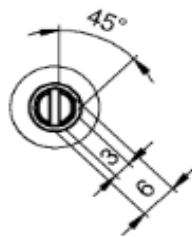


CVUN-2000DC/7-BEJA-C

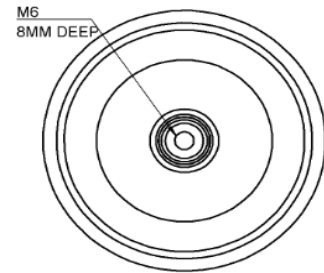
Specifications	
Capacitance C_{max} (nominal)	2000 pF
Capacitance C_{min} (nominal)	40 pF
Voltage (Peak Test U_{pt} / Peak Working U_{pw})	7 kV / 4.2 kV
Capacitance Tolerance (linear Range)	10%
Max. Current I_{max} at 13.56 MHz with	94 Arms
Conduction Cooling	20 W
Self Inductance	≤ 10 nH
Capacitance per turn	191.2 pF/turn
Torque	≤ 0.2 Nm
Net Weight	0.75 kg



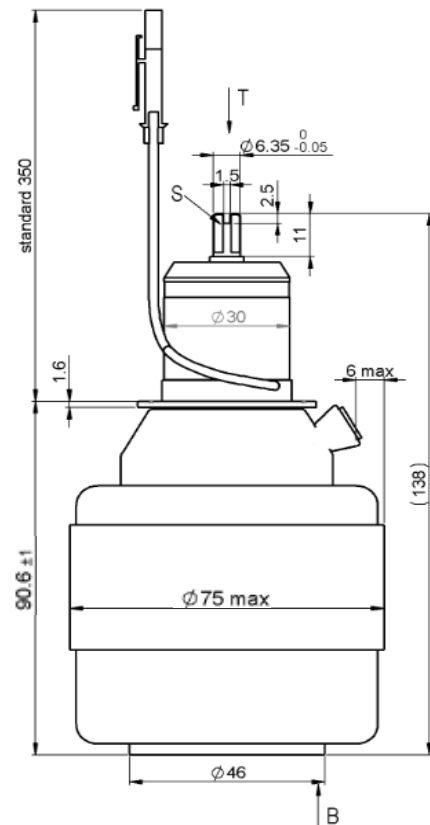
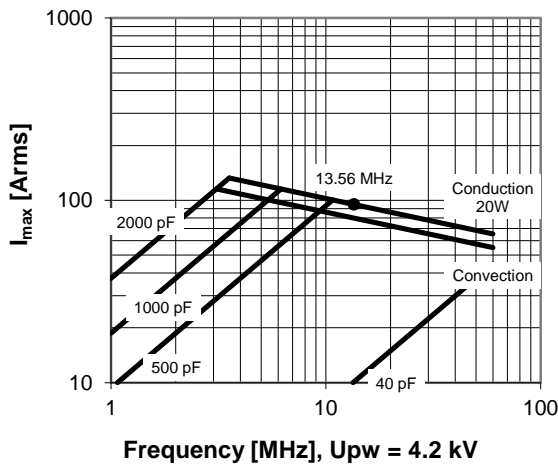
VIEW S



VIEW B



I_{max} at 25°C ambient and 125°C surface temp. for convection and conduction (20 W) cooling



Subject to change without prior notice

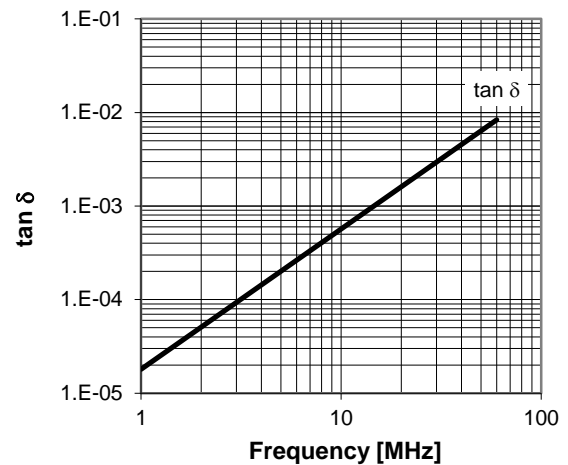
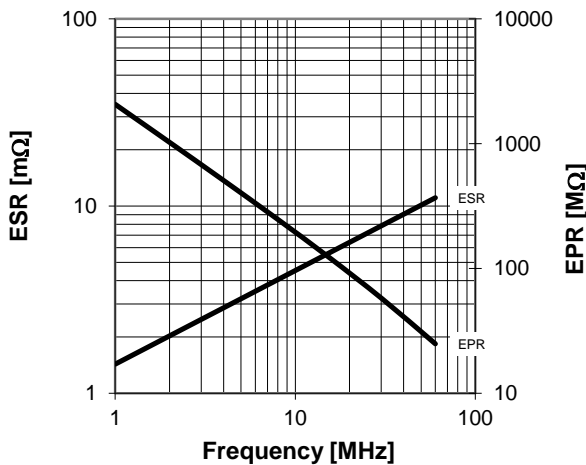
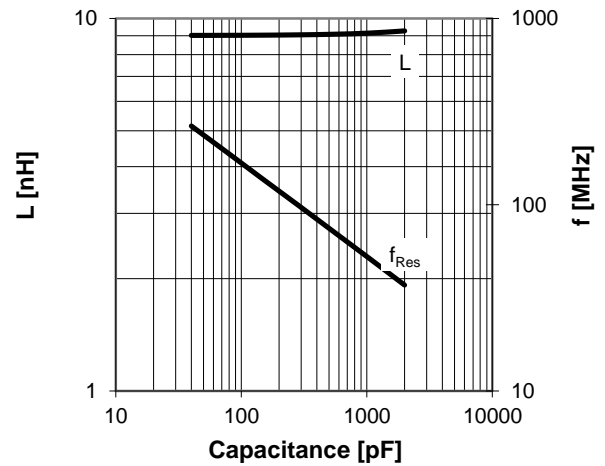
Note: Technical information in Service Bulletins SB-32 and SB-52 must be considered

CVUN-2000DC/7-BEJA-C

Turns	Nominal Capacitance [pF]	Tolerance
-0.4	40.0	10%
0.0	69.2	0%
2.0	450.2	10%
4.0	831.2	10%
6.0	1212.2	10%
8.0	1593.2	10%
10.1	2000.0	10%

Mechanical stop at < 40 pF at ~ -2.6 turns
 Mechanical stop at > 2000 pF at ~ 10.3 turns

Self inductance and resonance frequency



Special Features:

Opti-Cap 2000

Increased Upw = 4.8kV ≤ 1600pF

Subject to change without prior notice

Note: Technical information in Service Bulletins
 SB-32 and SB-52 must be considered