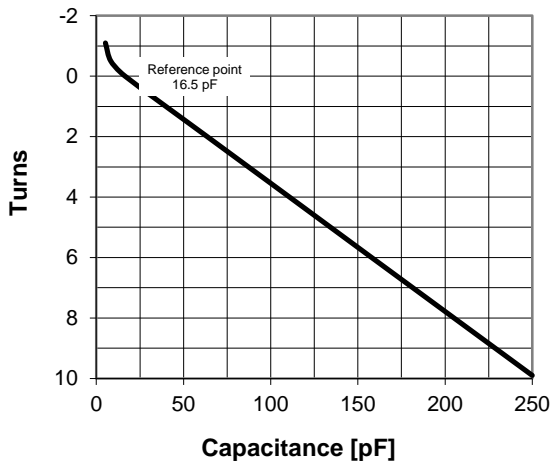
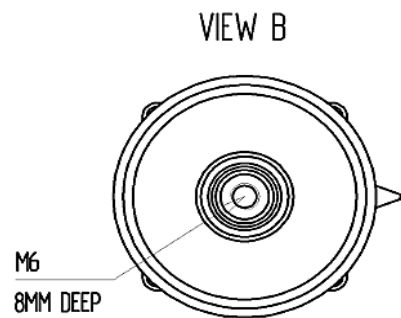
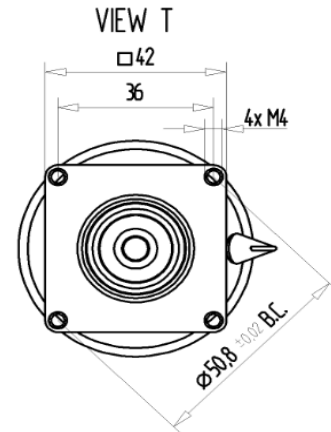
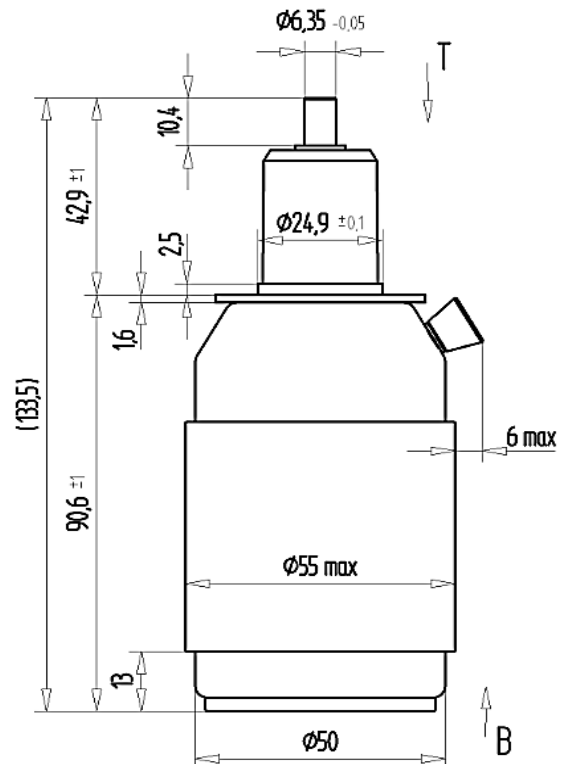
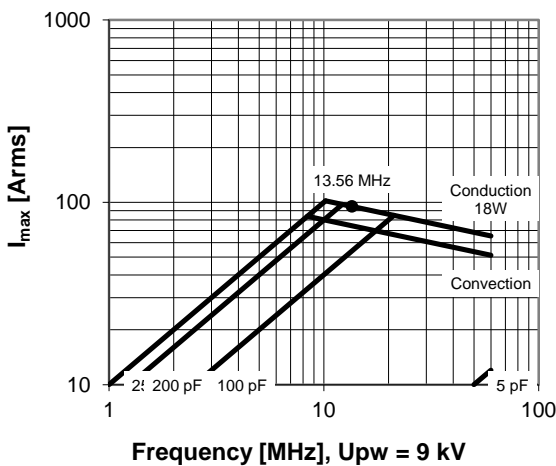


CVUN-250AC/15-BAJA-2

Specifications	
Capacitance C_{max} (nominal)	250 pF
Capacitance C_{min} (nominal)	5 pF
Voltage (Peak Test U_{pt} / Peak Working U_{pw})	15 kV / 9 kV
Capacitance Tolerance (linear Range)	10%
Max. Current I_{max} at 13.56 MHz with	94 Arms
Conduction Cooling	18 W
Capacitance per turn	23.6 pF/turn
Torque	≤ 0.2 Nm
Net Weight	0.5 kg



I_{max} at 25°C ambient and 125°C surface temp. for convection and conduction (18 W) cooling



Subject to change without prior notice

Note: Technical information in Service Bulletin SB-52 must be considered

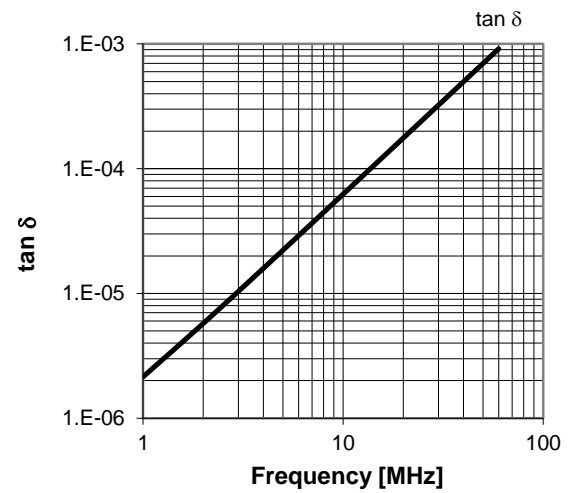
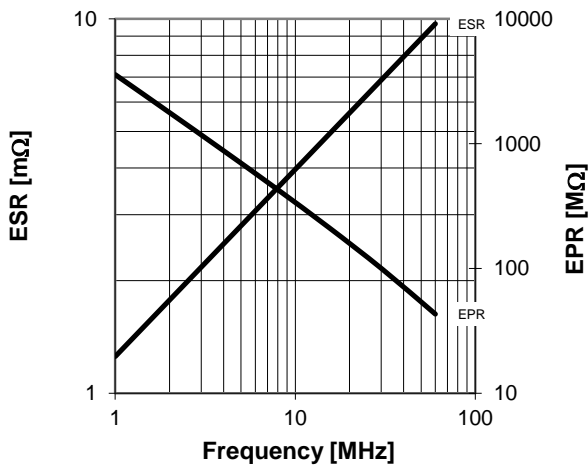
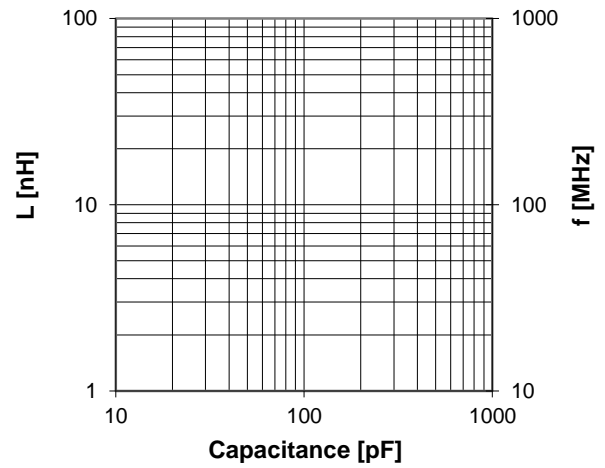
Issue: 03-Jun-2015

CVUN-250AC/15-BAJA-2

Turns	Nominal Capacitance [pF]	Tolerance
-1.1	5.2	10%
-0.5	8.3	10%
0.0	16.5	0%
2.0	63.6	10%
4.0	110.8	10%
6.0	157.9	10%
8.0	205.1	10%
9.9	250.0	10%

Mechanical stop at < 5 pF at ~ -1.1 turns
Mechanical stop at > 250 pF at ~ 10.2 turns

Self inductance and resonance frequency



Subject to change without prior notice

Note: Technical information in Service Bulletin
SB-52 must be considered

Issue: 03-Jun-2015